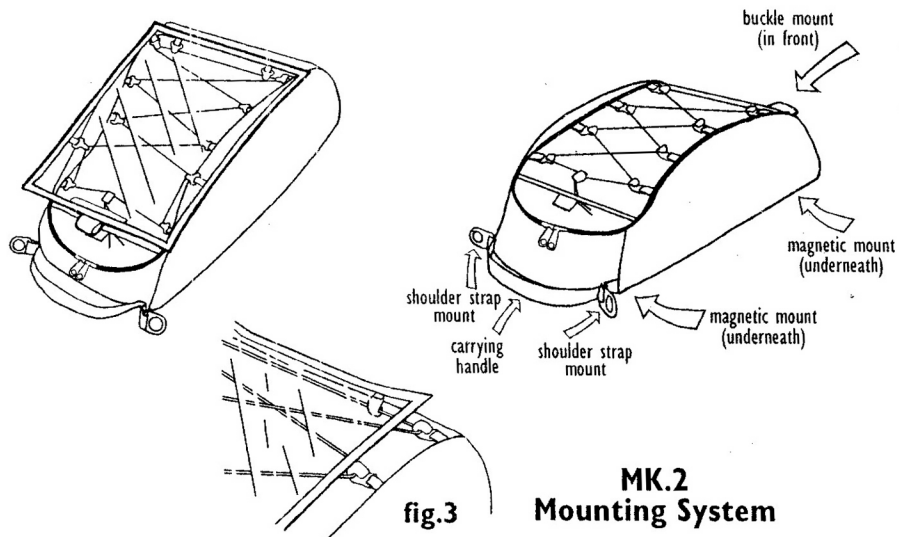


#540M CR2 TANK BAG, #5400 CR2 TAIL TRUNK ACCESSORY MOUNTING INSTRUCTIONS

Map Pouch and Optional #2254 Tank Bag Pouch, #2258 Tank Frame Mount Pouch
MADE IN USA



**MK.2
Mounting System**

#540M CR2 Tank Bag

**MK.1 (Velcro)
Mounting System**

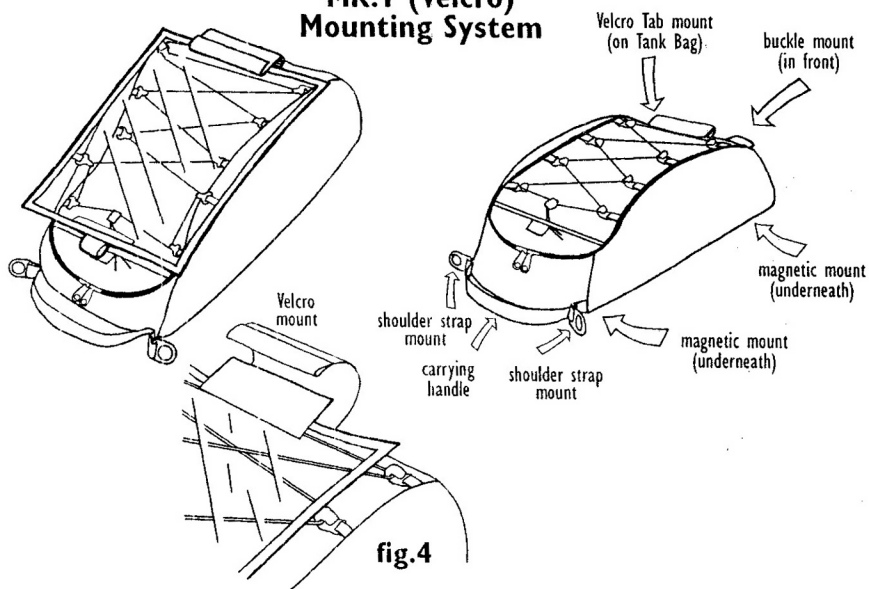
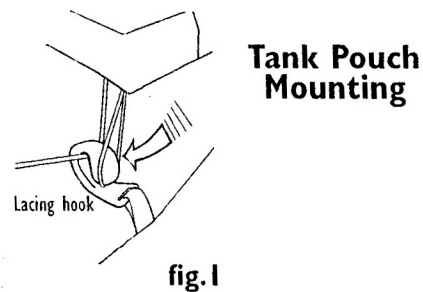


fig.4



CLEANING:
Open all zippers, remove all inserts and hardware. Hand wash using cold or warm water and a mild detergent. Hang dry.



**Tank Pouch
Mounting**

fig.1

With long end facing front of motorcycle, place **CR2 Tankbag** (see figs. 3 & 4 on other side) on top of motorcycle tank,

OR

CR2 Tail Trunk (see fig. 2) on seat and attach adjustable bungees to appropriate points on your particular motorcycle.

Optional Tank Pouches:

Pull a lower corner loop down of optional #2254 Tank Bag Pouch or #2258 Tank Frame Pouch and attach it to the appropriate Lacing Hook (see fig. 1).

Attach remaining 3 loops. To remove the Pouch, reverse the attaching order.

Map Pouch:

With the lacing hooks facing **DOWNWARDS**, attach the top lacing hook on bottom of Map Pouch to the top center of the CR2 Lacing, then attach the 2 lower Map Pouch lacing hooks at the appropriate Lacing System areas (see fig. 3 on other side of this page). In the event you have a Mk. 1 Velcro top mounting, see fig. 4.

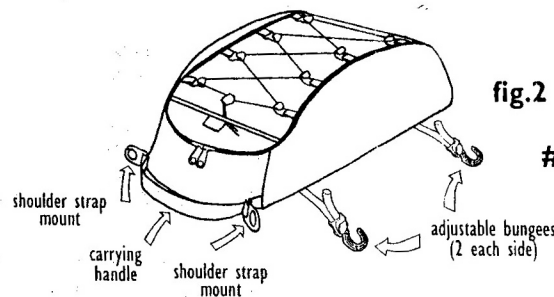


fig.2

#5400 CR2 Tail Trunk

DO NOT LOAD BAG AND/OR POUCH IN EXCESS OF 5 LBS.
Go for a ride and have as much fun as possible.

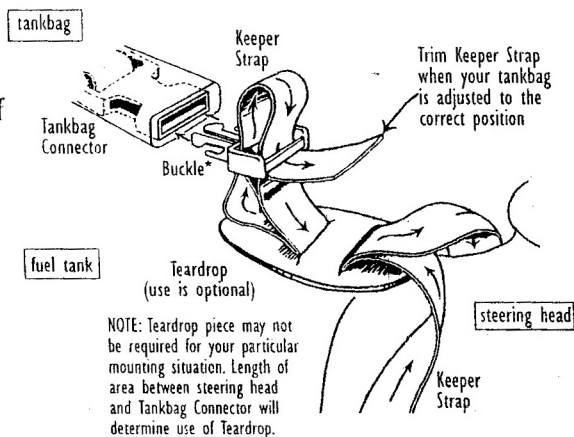
More on Other Side

WARNING

Because our magnetic mount tankbags incorporate extremely strong magnets in their mounting system, you are strongly advised **NOT** to place credit cards, bank cards, video or audio cassettes, computer discs or drives, or any other items that may be damaged by magnetism in tankbags using this mounting system.

Models 750M, 800M, 1650M & 1700M

The Magnetic Mounting System is quick and convenient. It is secured to the tank by a combination of magnets and a tethering strap looped around the steering head and frame.



*actual buckle may differ slightly from buckle pictured in illustration

MAGNETIC TANKBAG MOUNTING INSTRUCTIONS

1. Slip loose end of keeper strap through tear drop (IF NEEDED) and slide tear drop up to buckle.
2. Run loose end of keeper strap down and around the frame tubes directly below the steering head, being careful not to interfere with any wires, cables or the steering of the motorcycle.
3. Attach buckle to strap as shown in fig. 1
4. Lay the tankbag in basic position on top of the motorcycle tank.
5. Attach the tankbag connector to the buckle on the keeper strap. Adjust the keeper strap and trim off the excess strap length (leaving about 6" to allow for easy removal and remounting). With a hot knife or soldering iron (NOT NEAR FUEL TANK), sear cut end to prevent unraveling.
6. Go for a ride and have as much fun as possible.

CLEANING;

Open all zippers, remove all inserts and hardware. Hand wash using cold or warm water and a mild detergent. Hang dry.



BY

