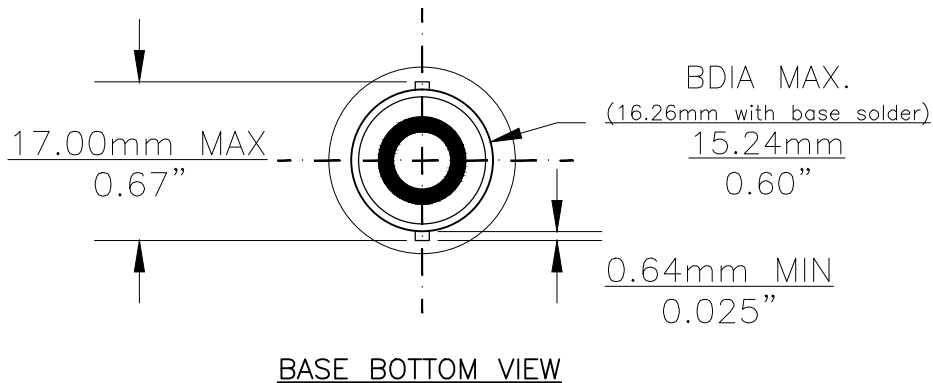
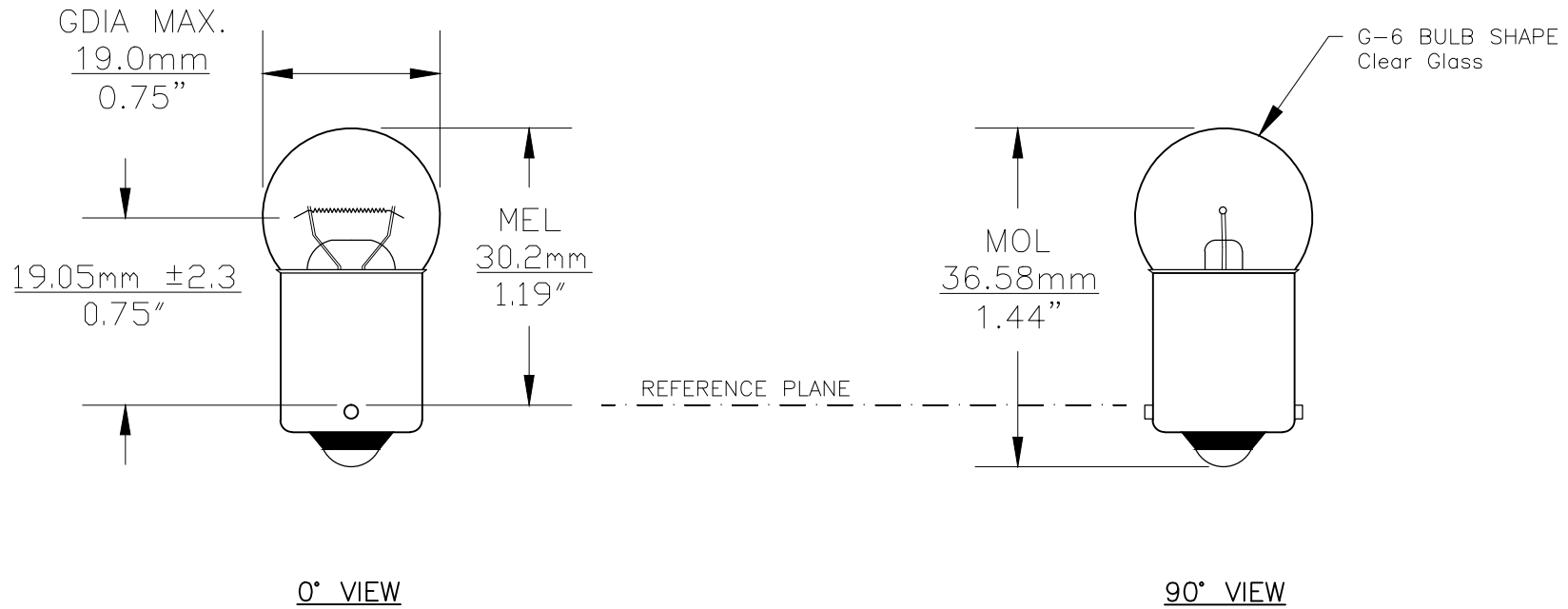




PART NO.	BASE TYPE	DESIGN VOLTS	DESIGN AMPS	MSCD	FILAMENT TYPE	AVERAGE LIFE HOURS	REVISIONS			
							REV #	DESCRIPTION	DATE	APPROVED
89	S.C. BAYONET (BA15s)	13.0V	0.58 ±8%	6 ±15%	C-6	750	1	ADDRESS CHANGE, REDRAWN	06/02/2006	D.C.
							2	UPDATED FILAMENT FROM C-2R TO C-6	06/03/2015	R.M.



Note: Made according to SAE specifications

UNLESS OTHERWISE SPECIFIED: DIMENSIONS ARE IN INCHES TOLERANCES		CEC INDUSTRIES LTD	
DECIMALS .XX ± .05	ANGULAR ± 0.5°	599 BOND STREET	LINCOLNSHIRE, IL 60069
FRACTIONAL .XXX ± .010	±1/64	TITLE LIGHT BULB NO. 89	
DATE 01/02/2001	CHECKED	SIZE A	FSCM NO. 89
DESIGN	SCALE	PLOT SCALE	SHEET 1 OF 1
MATERIAL	FILE 89.pdf	DRAWING NOT TO SCALE	

Cec Industries provides the best in car bulbs equipment.