



Model with dual button power plug.



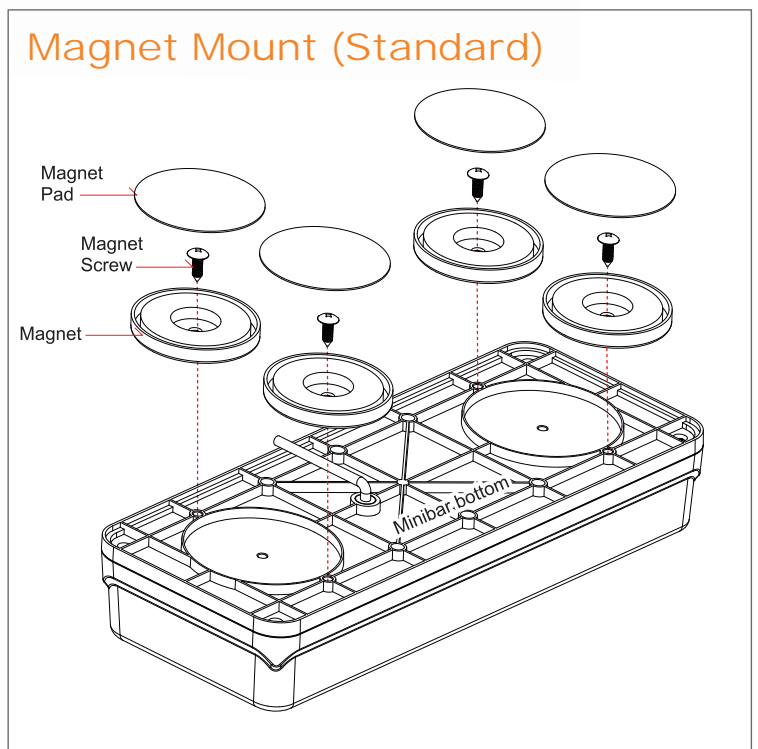
FLASH PATTERNS

Momentarily push Flash Pattern button:

- Once for next pattern
- Quickly 3 times for reset to FP#1

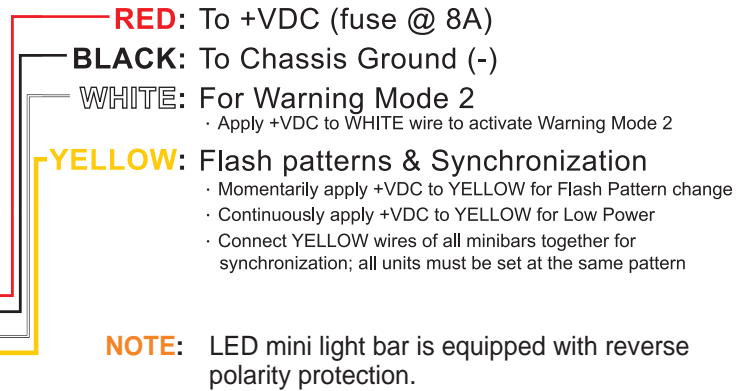
WARNING: Do not look directly into LEDs while in operation; may cause momentary blindness and/or eye damage.

FP#	FLASH PATTERNS
1	Random (all)
2	Single (split)
3	Double (split)
4	Quad (split)
5	Quint (split)
6	Mega (split)
7	Ultra (split)
8	Single-Quad (split)
9	Single H/L (split)
10	Single (all)
11	Double (all)
12	Quad (all)
13	Quint (all)
14	Mega (all)
15	Ultra (all)
16	Single-Quad (all)
17	Single H/L (all)
18	Steady 2 (california)
19	Steady 4 (all)



WARNING: It is not recommended to use magnetically mounted warning devices on vehicles in motion. Usage is at the sole risk and responsibility of the user.

- NOTE:**
1. This unit may not be factory set at FP#1
 2. Unit recalls last pattern used at power up
 3. Multi-unit synchronization capable

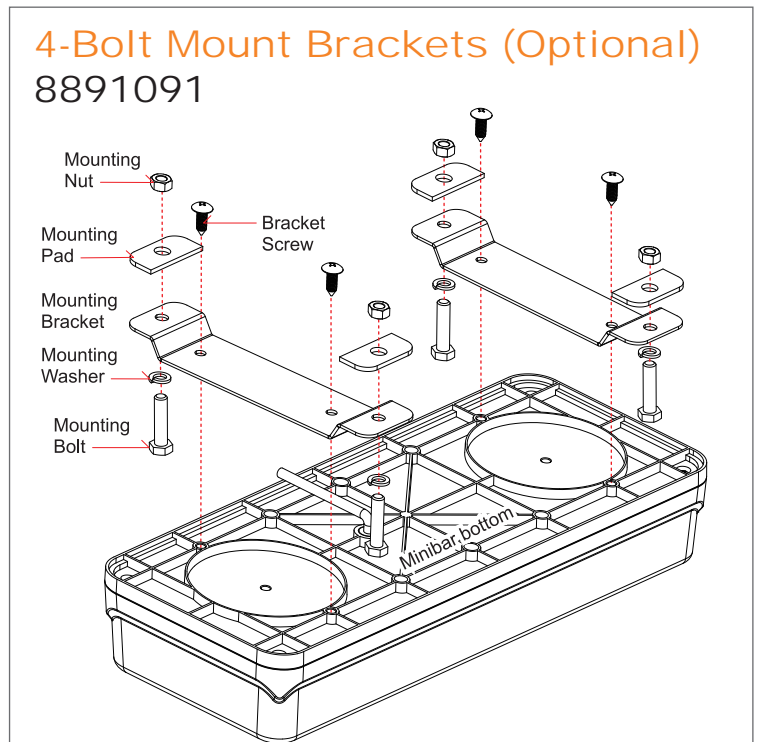


FLASH PATTERNS

Momentarily +VDC to **YELLOW:**

- Once for next pattern
- Quickly 3 times for reset to FP#1

FP#	FLASH PATTERNS
1	Random (all)
2	Single (split)
3	Double (split)
4	Quad (split)
5	Quint (split)
6	Mega (split)
7	Ultra (split)
8	Single-Quad (split)
9	Single H/L (split)
10	Single (all)
11	Double (all)
12	Quad (all)
13	Quint (all)
14	Mega (all)
15	Ultra (all)
16	Single-Quad (all)
17	Single H/L (all)
18	Steady 2 (california)
19	Steady 4 (all)



WARNING: Do not look directly into LEDs while in operation; may cause momentary blindness and/or eye damage.

- NOTE:**
1. Different Flash Pattern can be selected and kept in memory in Warning Mode.
 2. This unit may not be factory set at FP#1
 3. Unit recalls last pattern used at power up
 4. Multi-unit synchronization capable