

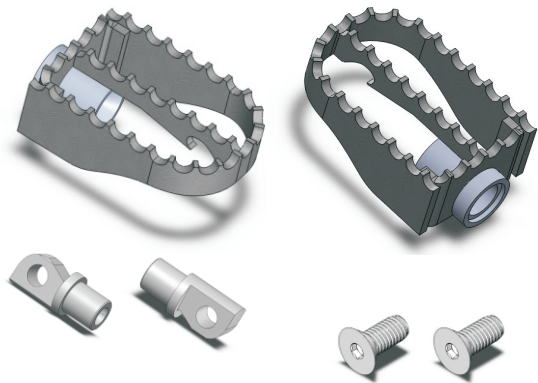


Installation Instructions BURLY FOOT-PEG KIT

WARNINGS & ALERTS

- The operator must use extreme caution when operating a modified motorcycle, particularly while getting familiar with its altered features.
- Read and follow all instructions to properly install this kit.
- Improper installation can cause unsatisfactory and / or unsafe operation.

Kit Contents



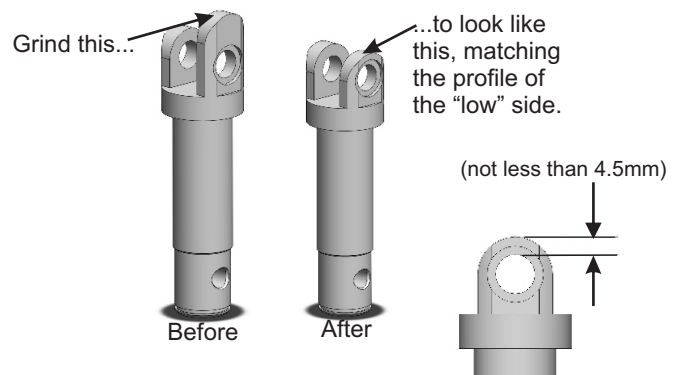
| QTY | DESCRIPTION |
|-----|-------------------------|
| 2 | Burly Footpegs |
| 2 | Adjustable Mounts |
| 2 | 7/16-14 X 1" FHSB Bolts |

LIMITED GUARANTEE

We continually inspect and try to improve our products. All parts have been inspected prior to packaging, and our guarantee is limited to replacement of defective parts. This guarantee is in lieu of all guarantees or warranties implied or expressed. Because we cannot control the application of our products, buyer assumes risks for any and all damage caused by himself or third party, by virtue of failure of these parts. We make no warranty as to products distributed by us, expressed or implied, including without limitation any warranties or merchant ability and fitness for a particular purpose. We will however, pass on all warranties made by the manufacturer, who has sole responsibility for performing such warranties. The manufacturer shall solely be responsible for any damage to person or property arising from design, manufacturing and testing of all products, and we accept no liability for such damages. We shall not be liable for indirect or consequential damages.

INSTALLATION INSTRUCTIONS BURLY FOOT-PEGS

- Using a pair of snap-ring pliers, carefully remove the stock retaining snap-ring off the stock foot-pegs pivot pin and set it aside for reuse.
- Remove the stock foot-peg pivot pin and set aside for reuse. Remove the stock foot-peg and be careful not to loose the small flat tension spring as you will need to reuse it.
- On SOME models, the foot-peg clevis is longer on one side and requires modification to fit the Burly foot-pegs. To do this, simply remove the clevis from your bike (per a factory authorized service manual), secure it in a vice and grind the long side down 8mm-9mm (.32"-.35") to match the profile of the shorter side - being careful not to grind too much off (see illustration below). We recommend re-plating or applying some sort of protective coating to the ground area to prevent possible corrosion. Reinstall the clevis and continue your installation.



- If your Burly Foot-pegs were not already assembled, do so by inserting the adjustable mount into the stepped end of the foot-peg, then screw the 7/16-14X1" bolt into the mount from the other end of the foot-peg barrel. Only hand tighten for now.
- Install the Burly Foot-peg in the reverse order using the stock flat tension spring, pivot pin, and retaining snap-ring. Repeat on the other foot-peg.
- Adjust the angle of each peg by rotating them to the desired angle. This can best be done by sitting on the bike in riding position, and having an assistant tighten the bolts once the foot-pegs are rotated so as the full surface of the foot-peg is in contact with the rider's foot.
- Torque the supplied 7/16-14X1" bolts to 45 ft/lbs. It is highly recommended that a drop of thread-locking agent be applied to the bolt threads before doing so.
- Test ride and re-adjust as necessary.
- After riding and adjusting is completed use the underside of either the right or left foot-peg to pop the cap off your favorite beverage, sit back, enjoy, and admire your new Burly Foot-pegs.