

**BikeMaster
Ultimate Shop Stool
with Tool Caddy**

- This is the ultimate shop stool tool caddy that works as hard as you do
- 17 in. diameter, 5 section tool tray with thick one piece magnetic rubber liner separates and protects the parts you are working on
- (5) three inch heavy duty casters mounted on individual reinforcement arms with 360 degree swivel action
- Beautiful chrome finish with super comfortable cushion for those extra-long jobs
- 13 in. diameter seat can spin 360 degrees and with the ease of a lever, gives an adjustable height of 17.5 in.-22 in.

P/N 15-2460

BikeMaster[®]

**HEAVY-DUTY
PNEUMATIC SHOP STOOL**

INSTRUCTION MANUAL

TOOLS REQUIRED FOR ASSEMBLY

Adjustable Wrench, or 14mm open end or socket.

ASSEMBLY INSTRUCTIONS

- 1 Unpack all parts before discarding/recycling the packaging material.
- 2 Assemble the casters (11) to the tray (9), sub-frame (10), and tray divider (7) as shown, and tighten.
- 3 Place the pneumatic cylinder (6) into the base as shown.
- 4 Place the seat top (1) onto the pneumatic cylinder ram as shown.

NOTE: The pneumatic cylinder is taper fit to the base and seat top and requires no hardware. Please check that the connecting surfaces are clean and dry before assembly.

Firmly press down on seat. Lift the seat by the top cushion to ensure that it is securely attached.

USAGE

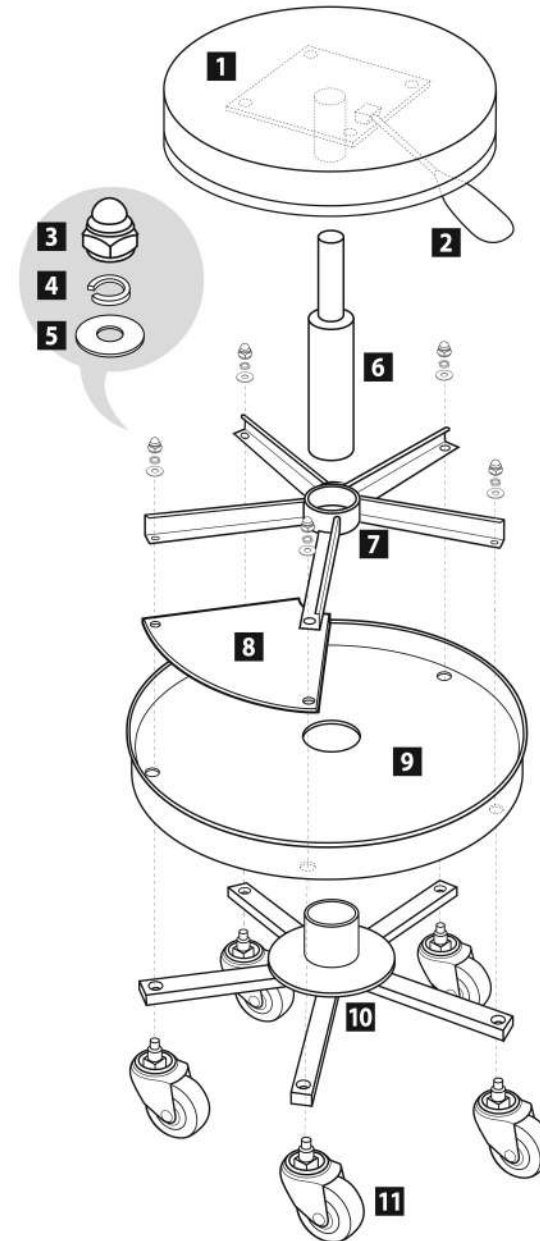
RAISING THE SEAT: Once the seat top is securely attached to the pneumatic ram, lift the height adjustment lever (2) without putting any weight on the seat. This will raise the seat to its maximum height.

LOWERING THE SEAT: Pull up on the adjustment lever while sitting on the seat to lower it to its lowest height. The seat can be adjusted to any height by releasing the adjustment lever at the desired height.

CAUTION

This seat may tip over if any caster wheel(s) are caught on obstacles, obstructions or when used on soft carpeted floors.

ASSEMBLY DIAGRAM & PARTS LIST



Pt. #	Description	Qty
1	SEAT	1
2	HEIGHT ADJ. LEVER	1
3	14mm NUT	5
4	SPRING WASHER	5
5	WASHER	5
6	CYLINDER	1
7	TRAY DIVIDER	1
8	MAGNETIC PAD	1
9	TRAY	1
10	SUB-FRAME	1
11	CASTER	5

Find out more about biker lifestyle accessories we have.