



Thank you for purchasing the heated grip switch. Before installing, please read the instruction carefully and keep it for future reference.

⚠ ATTENTION!

1. For installation, please follow the steps described in manual. Any damage caused by wrong installation shall be imputed to the users.
2. Do not disassemble or change any parts excluding the manual description.
3. The interior examination or maintenance should be executed by our professionals.

MARK MEANING:

NOTE You could get the installation details from the information behind the mark.

⚠ Some processes must be followed to avoid the collision caused by wrong installation.

⚠ WARNING! Some processes must be followed to avoid damages to yourself or the vehicle.

⚠ CAUTION! Some processes must be followed to avoid the damage to the vehicle.

⚠ READ CAREFULLY! If any information dealt with in the manual remains unclear seek professional assistance.



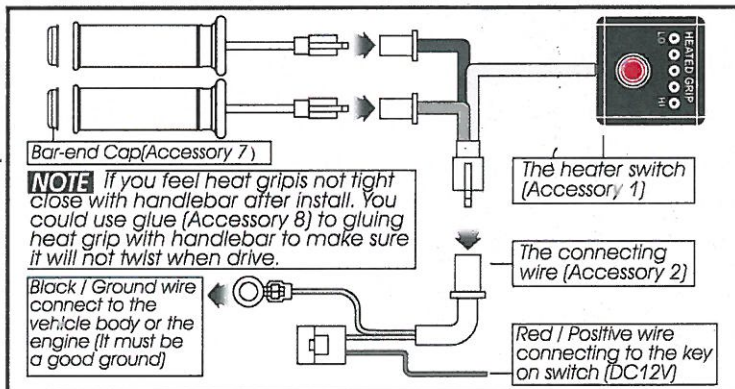
Press the button one time

1-1 ACCESSORIES

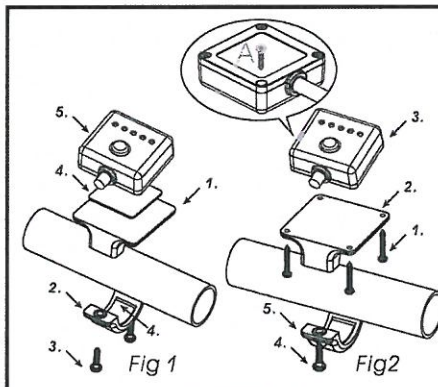
| | | | |
|--------------------------------------|--|---|-------------------------------------|
| <p>1 The heater switch x1</p> | <p>2 The connecting wire x1</p> | <p>3 The handle bar bracket x1</p> | <p>4 M3 x 12 L screw x 2</p> |
| <p>5 The Velcro x1</p> | <p>6 M2 x 15 L screw x 4</p> | <p>7 Bar-end Cap x2</p> | <p>8 Glue X 1</p> |

NOTE Please contact the local distributor if the items you open are not the same, with the above-listed one.

2-1 Wiring installation instructions



2-2 Installation instructions



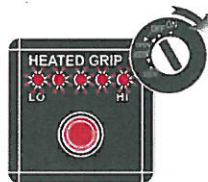
When installing, please follow the process.

1. The handle bar brake (Accessory 3)
2. The handle bar bracket (Accessory 3)
3. The M3 x 12 L screw x 2 (Accessory 4)
4. The Velcro (Accessory 5)
5. The heater switch (Accessory 1)

⚠ Please fix the handle bar bracket on the handle in advance and then stick the Velcro on the bracket. After it, use the Velcro to stick the switch on the bracket.

NOTE If you do not like using Velcro. Please unscrew the 4 screw back side of the switch. Using M2 X 15L screw (Accessory 6) locking bracket with switch together through existing screw hole on switch. Then you can fix switch on handle bar.

3-1 THE OPERATION INSTRUCTION



1. Turn on the power.

⚠ The light bar will flash one time to test switch it self. But the heat grip is not turn on yet.



2. Press the button one time to start warming up the heated grip.



3. When you turn on the heated grip, it will start at the same level as your previous setting.

3-2 THE SWITCH SETTING INSTRUCTION



1. Press the button to change the heating level.

NOTE There is 5 levels for you to adjust according to your demands.



2. Just press the button to make the setting you want. After the setting, the light will flash once after 5 seconds and then the setting is set.

NOTE The heated grip could be set as off, or between 1~5 levels.

⚠ When you set the heated grip at off - the heated grip will start from first level when you press the button to start the heating next time.