



Thanks for purchasing this BikeMaster product. At BikeMaster we strive to offer everything you need to maintain your bike and keep it running at peak performance. We appreciate your business!

**Part Number/s: 266282**

**Contents:**

**Quantity:**

Grips L/R	1ea
Heater Switch	1
Wiring Harness (w/fuse)	1
Handlebar Bracket	1
hook and loop fastener Pad	1
Glue	1
Midway Connector	1
M3x25L Screw	1
M3 Nut	1
Bar End Caps	2

#### **Installation:**

**STEP 1:** Attach heater switch to handlebar bracket using hook and loop fastener pad. (Figure 1)

**STEP 2:** Attach handlebar bracket to handlebars and after positioning in appropriate position tighten securely.

**Step 3:** Wire heater control to a *keyed* ignition source.

#### **Setting Heat Modes:**

**Voltage Screen** - will show you the current voltage of your battery. Hold button down to enter the Low Voltage screen. You can choose the setting between 10-13v. This will turn your grips off if the battery drops below the voltage you've set. (Figure 2)

**Quick Heat Up Timing Screen** – Hold button for 3 sec to enter time 1-20 minutes. This will turn the Quick Heat up off after designated time and return your grips to normal setting. (Figure 3)

**Quick Heat Up Level Screen** – Hold button for 3 sec to enter level. 3-5, low to max (Figure 4)

**Return to Normal** – Hold button for 3 sec to go back to normal screen (Figure 5)

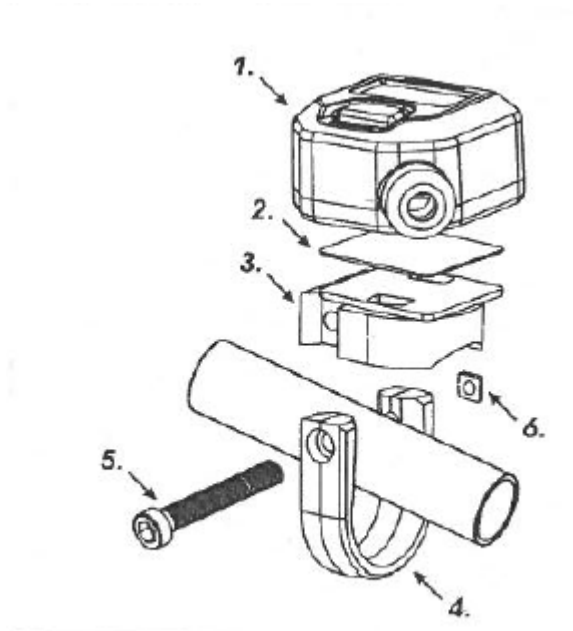


Figure 1



Figure 2



Figure 3



Figure 4



Figure 5



When key is on, the panel will show current voltage:



In volt meter screen, press the button once to enter the quick heat up mode:

**BikeMaster**



In quick heat up mode, press the button once. From here choose the level desired:

**ATTENTION!** It is the installer's responsibility to ensure that all the fasteners (including pre-assembled) are tightened before operation of the motorcycle.

Periodic maintenance may be required.

**Additional Information:**

Specs:

Color:

Weight:

Dimensions: