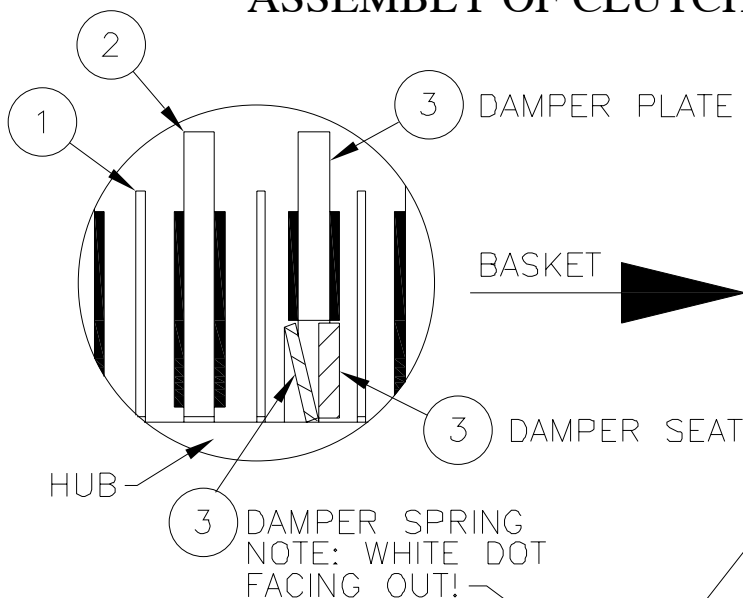
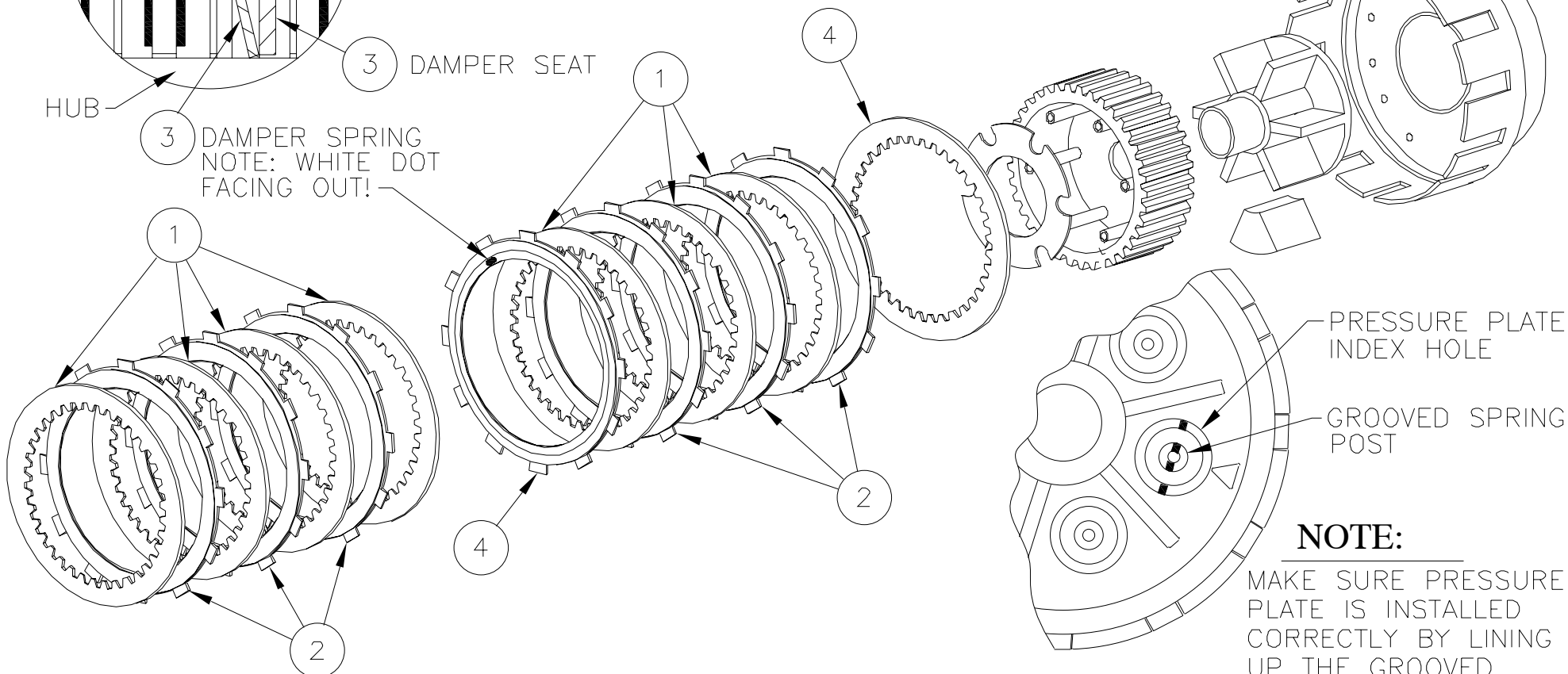


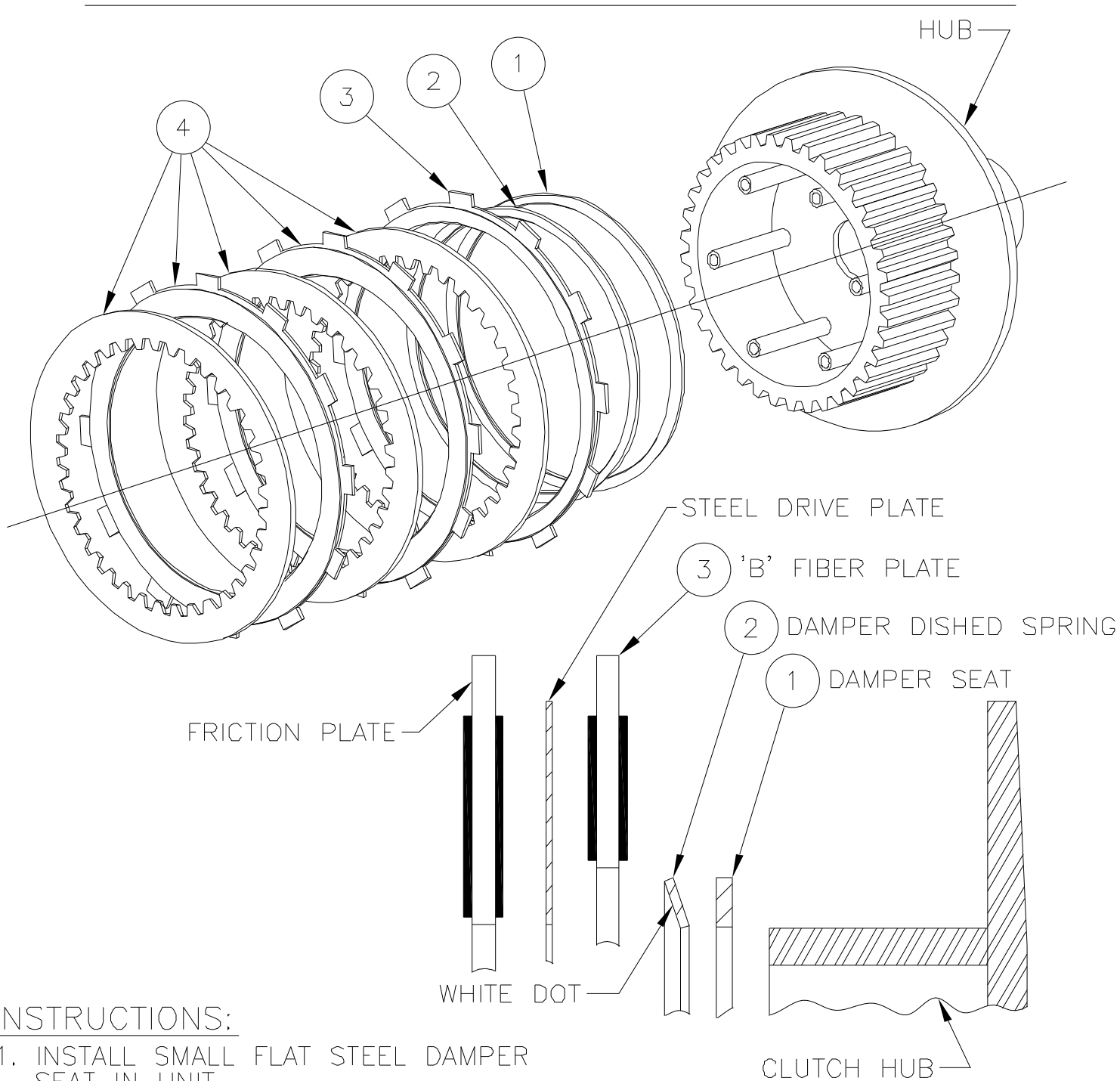
ASSEMBLY OF CLUTCH #527-9MA CLUTCH KIT



NO.	DESCRIPTION	QTY.
1	DRIVEN PLATE, STEEL	7
2	DRIVING PLATE, FRICTION	6
3	B PLATE, DAMPER SPRING & SEAT	1
4	THICK DRIVE PLATE - THICK (.125)	1



NOTE:
 MAKE SURE PRESSURE PLATE IS INSTALLED CORRECTLY BY LINING UP THE GROOVED SPRING POST WITH THE GROOVED AND ARROWED HOLE IN PRESSURE PLATE.



INSTRUCTIONS:

1. INSTALL SMALL FLAT STEEL DAMPER SEAT IN UNIT.
2. INSTALL DAMPER DISHED SPRING WITH WHITE DOT FACING OUT.
3. INSTALL 'B' FIBER PLATE.
('B' PLATE HAS LARGER CENTER HOLE)
4. INSTALL A STEEL DRIVE PLATE FOLLOWED BY A FRICTION PLATE. USE THIS PATTERN TO COMPLETE INSTALLATION OF PLATES.
5. INSTALL PRESSURE PLATE AND SPRINGS.