



baja designs®
The Scientists of Lighting

Product Catalog

CONTENTS

Our Story	2
Features	
Satisfaction Guaranteed.....	3
Limited Lifetime Warranty.....	4
uService®.....	5
ClearView®.....	6
MoistureBlock™.....	7
CopperDrive®.....	8
5000K Daylight.....	9
Lighting Patterns	10
Lighting Zones	11
Products	
OnX6® LED Light Bar	12
OnX6® Racer Edition Light Bar.....	13
S8 LED Light Bar.....	14
XL Racer Edition LED Light.....	15
XL80 LED Light.....	16
XL Pro LED Light.....	17
XL Sport LED Light.....	18
Squadron Pro LED Light.....	19
Squadron Sport LED Light.....	20
S2 Pro LED Light.....	21
Squadron Pro, IR LED Light.....	22
S2 Pro, IR LED Light.....	23



OUR STORY

For 20+ years Baja Designs has engineered revolutionary ways to stay at the forefront of motorcycle and automotive lighting. The first product developed was a Dual Sport kit that made a pure off road motorcycle minimally street legal. This intimate knowledge of motorcycle electrical capabilities led to a natural evolution to engineer the first HID motorcycle race light. Owner/Lead engineer Alan Roach and Product Development Engineer Stephen “Tex” Mitchell were avid Baja 1000 motorcycle racers who were able to fine tune a motorcycle’s limited light optics to maximize rider comfort, speed and safety. As a result, BD lights have won every professional and amateur motorcycle and ATV Baja 1000 class for over 15 years.

As our engineers and racers advanced to truck and buggy racing, the next evolution began. The engineers quickly adapted their race winning HID motorcycle lights to their new race vehicles. With amazing speed, BD HID lights were adopted by the vehicle race community and could be found on the majority of Baja 1000 winning vehicles. In the process, BD engineers became well known as “The Scientists of Lighting” and were sought out by professional race teams to develop and aim their vehicle lighting.

LED lights were the next natural evolution of lighting and BD was the first company to develop a forward projecting LED light bar which was introduced and raced in the 2005 Baja 1000. That original LED light bar has evolved into a line of the highest performing and race winning LED lights on the market.

Revolutionizing industry leading lights is not just a job at BD, but a lifelong passion for both the owners and employees. The BD product line is dedicated to being **BRIGHTER, BOLDER, and BETTER**, which is why we truly are “**The Scientists of Lighting**”.



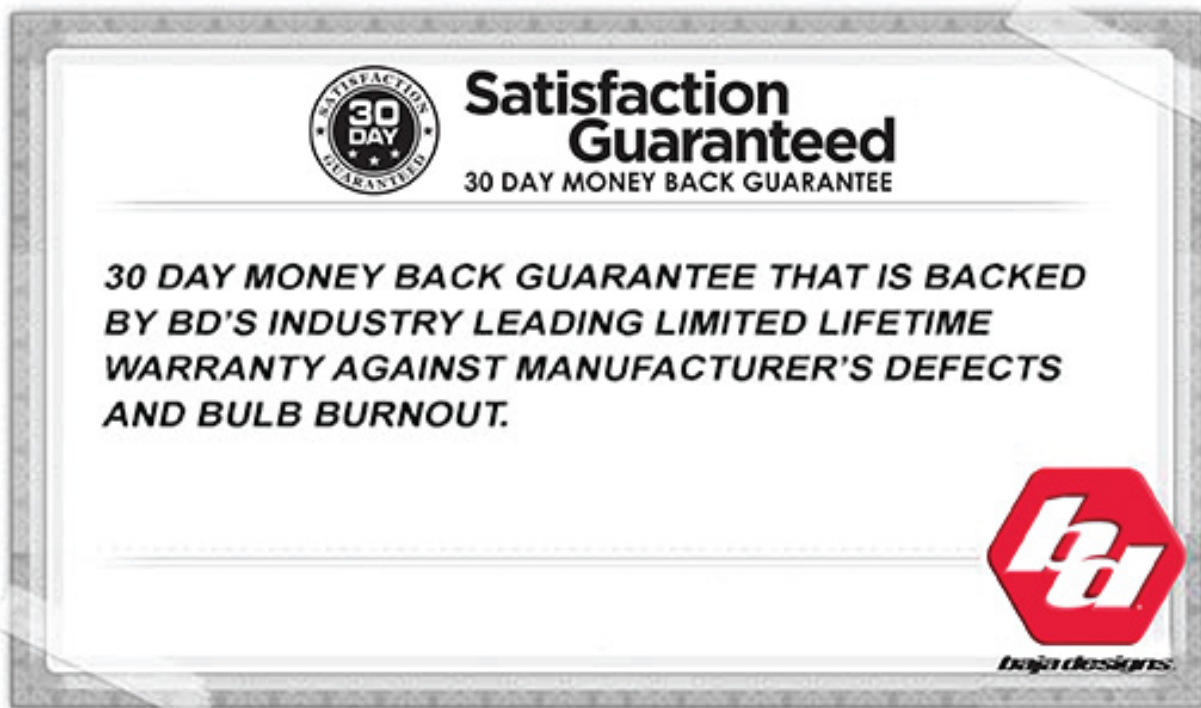
FEATURES



Satisfaction Guaranteed

30 DAY MONEY BACK GUARANTEE

Customer satisfaction stands at the core of who Baja Designs is as a company. BD gives you a full 30 days to test out your new light and if you are not 100% satisfied with your purchase, you can send it back for an exchange or refund of the purchase price and applicable tax.



FEATURES



Lifetime

COMPLETE PURCHASE PROTECTION

Baja Designs proudly offers a LIFETIME WARRANTY against manufacturer's defect on all of the products that we manufacture.

These are comprehensive warranties; other than the exclusions below – you're covered. If your LED or HID bulb burns out, you're covered. Additionally, cutting off our connector or changing your lenses does not automatically void your warranty.

EXCLUSIONS:

Installation errors, abuse, misuse or crash damage. You must be the original owner of the product and be able to supply proof of purchase.

Li-Ion or Li-Po Batteries: carry a 2 year warranty.

NiCad DSK Batteries: carry a 90 day warranty

Dual Sport Kit Switches: carry a 1 year warranty.

Baja Designs manufactures its own products as well as resells products manufactured by others. Baja Designs makes no express or implied warranties on products not manufactured by Baja Designs including without limitation any warranties or merchantability and fitness for a particular purpose. We will however, pass on all warranties made by the manufacturer, who has sole responsibility for performing such warranties.

Baja Designs will pay the freight if your product is less than 90 days old, otherwise defective products must be returned to Baja Designs, Inc., freight prepaid. At our option, we will repair or replace items in question and return them at no charge. If the identical product is no longer available we will replace with a similar product of equal value. Baja Designs Inc. will not be responsible for any indirect or consequential damages in connection with defective merchandise.

Indemnification: Buyer hereby acknowledges off roading, racing and driving at night are dangerous activities and that the products and/or supplies purchased from Baja Designs are used in an inherently dangerous activity that may endanger life and limb; and in no event shall the seller, or seller's heirs and assigns, be held liable for consequential damages, nor shall seller's liability on any claim for damages arising out of or connected with the sale, delivery, or use of purchased products and/or supplies exceed the purchase price of the products and/or supplies.



FEATURES



uService[®]
REPLACEABLE LENSES AND OPTICS

Baja Designs unique use of O-ring seals instead of silicone allows users to change their beam pattern and lenses with ease. Other LED lights are silicone sealed so their patterns are not customizable and a rock chip requires you to return the light to the manufacturer for service or purchase a completely new light. On the other hand, if a BD lens happens to get scratched or you need a different light pattern, simply unscrew BD's water and dust proof lens and custom O-ring seal and install the replacements.

Baja Designs engineers are off road enthusiasts and racers and know what's important when it comes to LED lights. "You wouldn't throw out your car if your windshield cracks, would you? No, you'd just replace the windshield. So why would anyone design a disposable LED driving light? That's crazy!" – Alan Roach, Baja Designs Engineer, Founder and Racer.



uService[®]
REPLACEABLE LENSES AND OPTICS



THEIRS

NON-REPLACEABLE

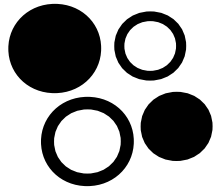


OURS

REPLACEABLE



FEATURES



ClearView[®]
ALL THE LIGHT, RIGHT WHERE YOU NEED IT

With more useable patterns than any other manufacturer, ClearView™ provides you with a light for every zone and a scientific method to the madness.

ClearView™ is our proprietary optics, which are computer designed in-house by Baja Designs' team of racing engineers who have first-hand knowledge of the lighting needs of all types of drivers and riders. Each new optic is meticulously prototyped in-house, and personally tested and perfected by Alan Roach, Baja Designs Engineer, Founder and Racer.

“The ultimate goal of lighting is to provide a smooth field of light so the driver can drive quickly with minimal fatigue. My engineering and racing knowledge combined with the feedback of our professional racers and drivers has allowed us to develop the best optics in the industry.” – Alan Roach, Baja Designs Engineer, Founder and Racer.

Each optic is designed to illuminate one or more of eight specific Lighting Zones. BD's racing engineers were the first to define these lighting zones and to design specific patterns for the lesser known cornering, dust/fog and High Speed Spot zones. BD's Wide Cornering and Wide Driving patterns were the first HID and LED lights that offered both a horizontal cut off and a wide pattern to make the light usable in fog or dust without causing blinding back scatter and also fill the important cornering zone so the driver doesn't feel like he is driving in a tunnel. BD's High Speed Spot™ has revolutionized LED lighting by truly achieving the distance of an HID with the smoothness of an LED. Other patterns available are Driving, Spot, Flood/Work and Dome/Interior. Amber patterns are also available.

Please refer to our lighting patterns and our lighting zones.



FEATURES



MoistureBlock™
WATERPROOF, RAIN PROOF, SUBMERSIBLE

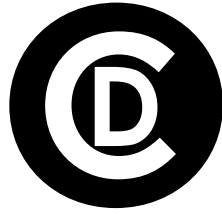
O-ring seals and proprietary cord technology make BD lights completely waterproof, rain proof, dustproof, submersible and washable. O-ring seals are considerably more effective at blocking water than the beads of silicone. In addition the patented MoistureBlock™ on BD's cords is an innovative new technology that completely stops water from wicking its way up the cord and into the light. Even if you cut the connector off, your light is still waterproof and you won't void your warranty.

"The elements can play a huge role in the performance of auxiliary lights since conditions are almost always less than ideal. Our MoistureBlock™ system perfectly handles the headache that water and dust can cause when you have a completely customizable light that also needs to be 100% waterproof and dustproof" says Alan Roach, Baja Designs Engineer, Founder and Racer.

IP69K and MIL-STD-810G compliant



FEATURES



CopperDrive®

ONLY LED DRIVEN AT 100%

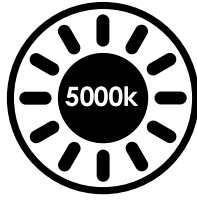
BD's CopperDrive LED management system uses next gen circuit board and driver technology to safely run high powered LEDs at 100% power. 4 levels of thermal management transfer LED heat up to 3000% more efficiently and provide an extra layer of vibration isolation creating the highest performing and longest lasting LED light on the market. Our circuit boards use copper instead of aluminum to help transfer heat more efficiently from the LED to the thermal gap pad. The thermal gap pad plays an important role in aiding heat transfer to the heat sink, which keeps the LEDs cool and also provides for vibration damping. The microprocessor controlled thermistors help to constantly monitor the temperature of the LED to ensure brightness and longevity.

			
Circuit Board	Thermal Gap Pad	Heat Sink	Thermistor
BD's next gen circuit boards use copper to increase the thermal transfer rate from the LED by up to 3000%.	A thermally conductive pad is placed between the circuit board and aluminum heat sink. Transferring heat more efficiently than thermal grease and direct metal. The gap pad and heat sink also provides a layer of vibration damping between the circuit board and heat sink.	BD's aircraft grade, computer designed aluminum heat sink.	BD places a microprocessor controlled thermistor at the LED, which measures internal temperature guaranteeing peak performance of the LED.

	CopperDrive® ONLY LED DRIVEN AT 100%		baja designs The Scientists of Lighting
 20 MIN RUN TIME		 1 MIN RUN TIME	
 173.5°F SAFE TEMP		 265.3°F UNSAFE TEMP	
 10 WATT 100% POWER		 6.7 WATT 67% POWER	



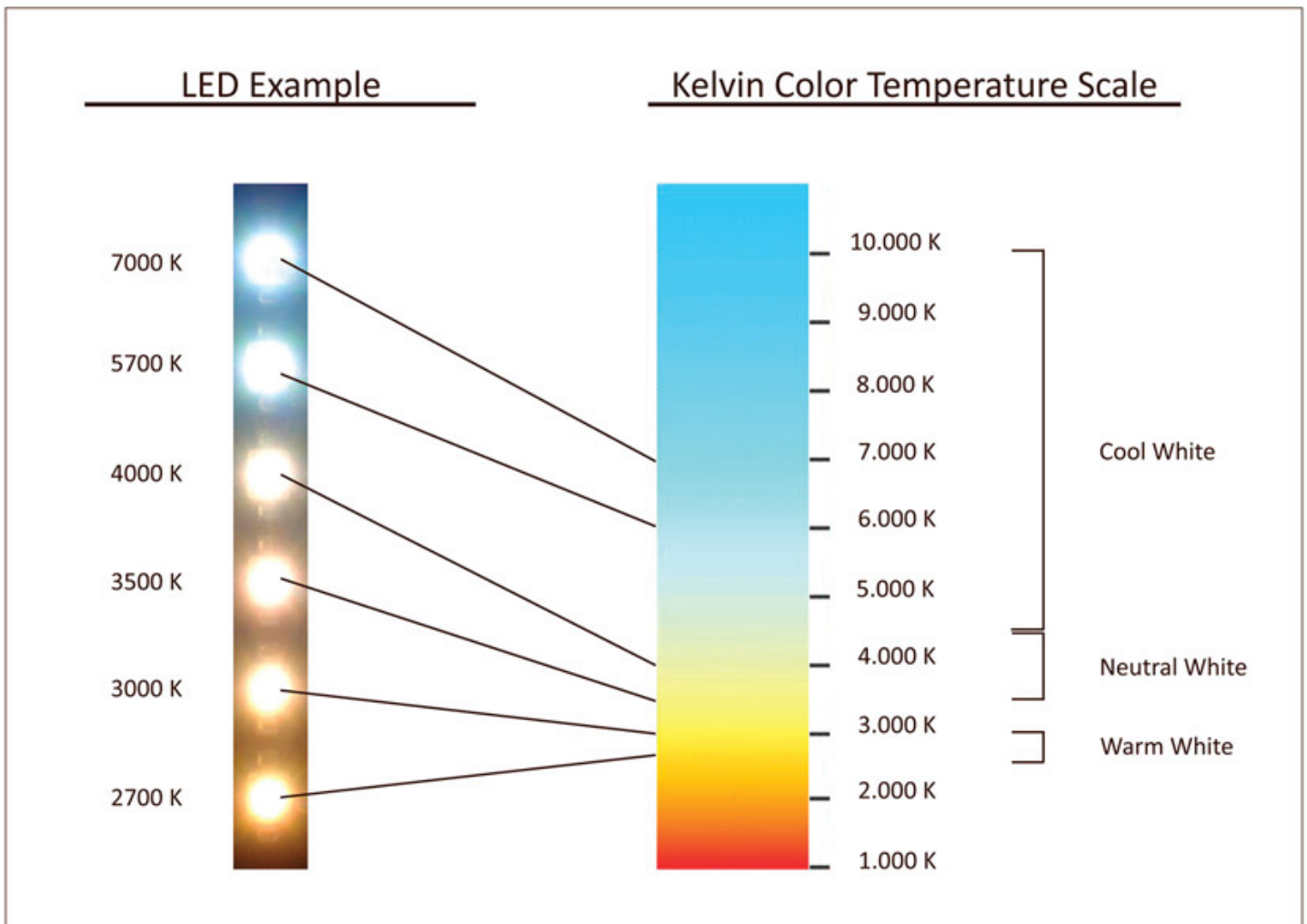
FEATURES



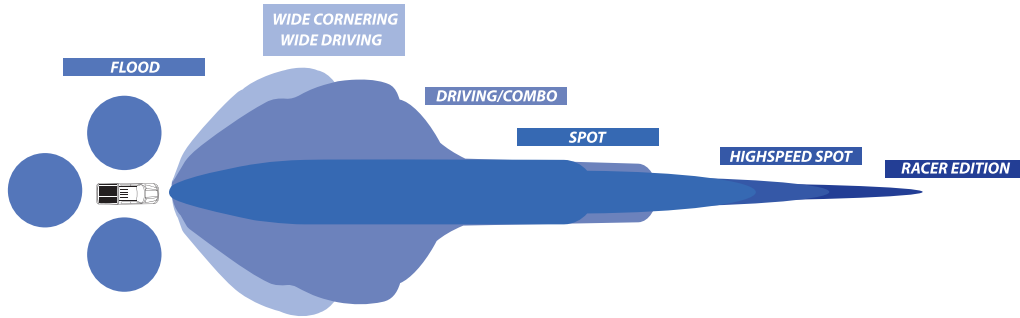
Daylight

LESS DRIVER FATIGUE, NATURAL COLOR

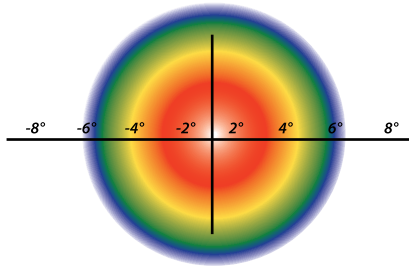
Human eyes have evolved to see best at noon on a sunny day which translates to a color temperature of 5000^o Kelvin. A color temperature of 5000K greatly reduces driver fatigue and increases terrain recognition. BD exclusively uses 5000K LEDs to ensure the safest and highest performing driving experience.



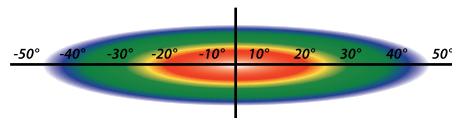
PATTERNS



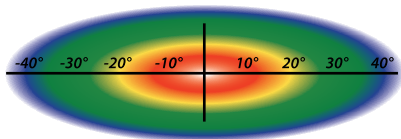
OnX6/XL Pro & Sport
High Speed Spot - 6°



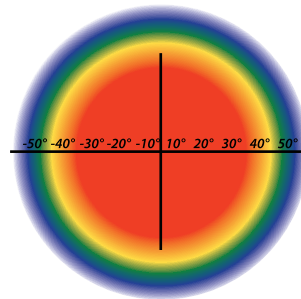
OnX6/XL Pro & Sport
Wide Driving/Cornering- 44°



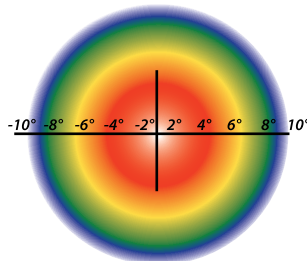
OnX6/XL Pro & Sport
Driving Combo - 6°/44°



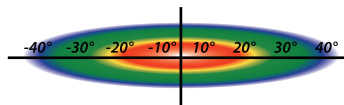
S2/Squadron Pro & Sport
Flood - 60°



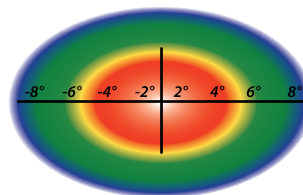
S2/Squadron Pro & Sport
Spot - 9°



S2/Squadron Pro & Sport
Wide Cornering- 42°



S2/Squadron Pro & Sport
Driving Combo - 10°



LOW **PATTERN INTENSITY** PEAK



ZONES

These zones have been designed by “The Scientists of Lighting” at Baja Designs.

Zone 1 - Dust/Fog: This zone illuminates the area directly in front of the vehicle. Mounting these lights low on the bumper eliminates glare from dust and fog.

Zone 2 - Cornering: This zone provides cornering light which is necessary to drive comfortably at speed. By towing these lights out 10°-15° a smooth field of light is achieved, eliminating the feeling of tunnel vision.

Zone 3 - Driving Combo: This zone is your primary driving light. These lights are mounted in the middle of the front bumper to avoid glare off of the hood or from dust and fog in front of the vehicle.

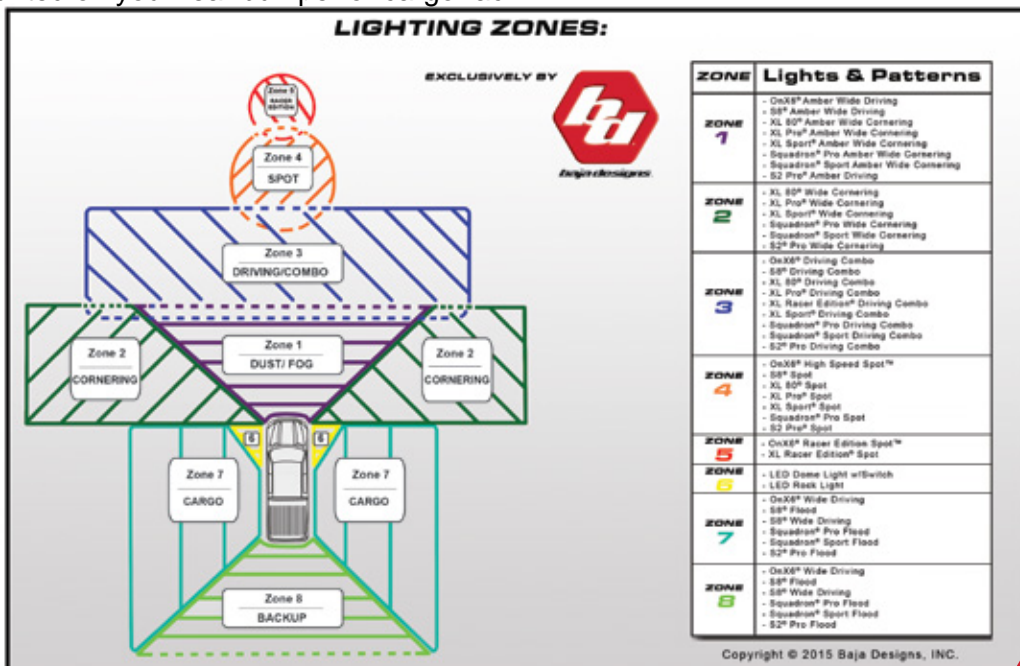
Zone 4 - Spot: This zone is your first level of long distance lighting. Lights intended for this zone will give you the distance needed to travel at speed. Combined with zone two lighting, a smooth transition is achieved creating less stress on your eyes.

Zone 5 - Racer Edition Spot: This zone is necessary for triple digit speeds or wanting to see miles down the road. This is the only forward projection pattern we recommend mounting along your roofline.

Zone 6 - Dome Lighting: This zone is used for wheel well lighting. This light is perfect for truck, jeep, buggy and UTV applications.

Zone 7 - Flood: Excellent work light or “scene light” with an extremely smooth 60° pattern. This pattern is not suitable for forward projection applications.

Zone 8 - Backup Lighting: This zone illuminates the area directly behind the rear of the vehicle. We recommend that these lights be mounted on your rear bumper or cargo rack.



PRODUCTS

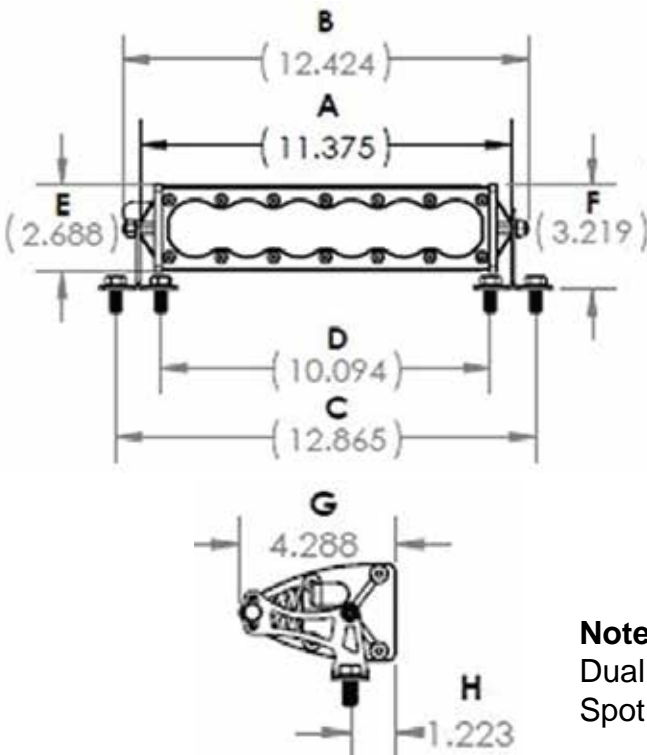


Features

- Satisfaction Guaranteed** - 30 Day Money Back Guarantee
- Limited Lifetime Warranty** - Complete Purchase Protection
- uService®** - Replaceable Lenses And Optics
- ClearView®** - All The Light, Right Where You Need It
- MoistureBlock™** - Waterproof, Rain Proof, Submersible
- CopperDrive®** - Only LED Driven At 100%
- 5000K Daylight** - Less Driver Fatigue, Natural Color

Specifications (per 10" section)

- Lumens:** 7,350 Utilizing 6 Cree XM-L2 LEDs
- Wattage/Amps:** 61W / 5.08A
- Dimensions:** 10" x 4.29" x 2.69"
- Weight:** 4.25 lbs per 10" Section
- LED Life Expectancy:** 49,930 Hours
- Front Lens:** Hard Coated Polycarbonate
- Housing:** Aircraft Grade Aluminum w/Mil-Spec Hard Anodize
- Hardware & Bracket Material:** Stainless Steel
- Exceeds MIL-STD810G** (Mil-Spec Testing)
- Built-In Overvoltage Protection**
- IP69K** (Waterproof, Submersible to 9ft)
- IK10 Compliant** (Mechanical Impact Testing)



Part Number	Description	Input Voltage (DC)	Raw Lumens Output	Watts Input	Weight (lb)
45-XXYY	OnX6, 10" LED Light Bar	9-36	6,450	63	4.25
45-XXYY	OnX6, 20" LED Light Bar	9-36	12,900	126	7.85
45-XXYY	OnX6, 30" LED Light Bar	9-36	19,350	189	11.45
45-XXYY	OnX6, 40" LED Light Bar	9-36	25,800	252	15.05
45-XXYY	OnX6, 50" LED Light Bar	9-36	32,250	315	18.65
45-XXYY	OnX6, 60" LED Light Bar	9-36	38,700	378	22.25

Size (XX)	Size Description
10	OnX6, 10" LED Light Bar
20	OnX6, 20" LED Light Bar
30	OnX6, 30" LED Light Bar
40	OnX6, 40" LED Light Bar
50	OnX6, 50" LED Light Bar
60	OnX6, 60" LED Light Bar

Pattern (YY)	Pattern Description
01	High Speed Spot
03	Driving Combo
04	Wide Driving
14	Amber Wide Driving

Note: Also available in Arc Series (52-XXYY) Dual Control Series (46-XXYY) and Racer Edition Spot and Driving Combo (41-XXYY)



PRODUCTS

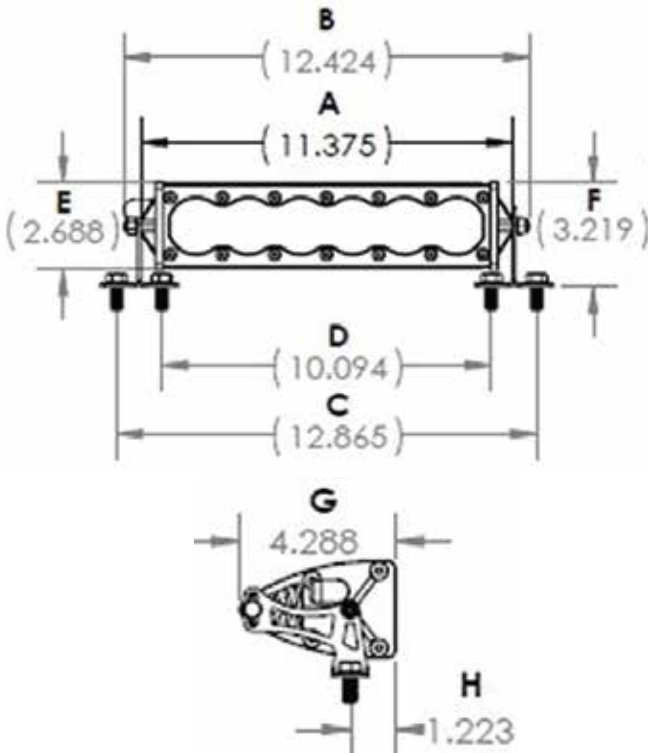


Features

- Satisfaction Guaranteed** - 30 Day Money Back Guarantee
- Limited Lifetime Warranty** - Complete Purchase Protection
- uService®** - Replaceable Lenses And Optics
- ClearView®** - All The Light, Right Where You Need It
- MoistureBlock™** - Waterproof, Rain Proof, Submersible
- CopperDrive®** - Only LED Driven At 100%
- 5000K Daylight** - Less Driver Fatigue, Natural Color

Specifications (per 10" section)

- Lumens:** 6,450 Utilizing 6 Cree LEDs
- Wattage/Amps:** 63W / 5.25A
- Dimensions:** 10" x 4.29" x 2.69"
- Weight:** 4.25 lbs per 10" Section
- LED Life Expectancy:** 49,930 Hours
- Front Lens:** Hard Coated Polycarbonate
- Housing:** Aircraft Grade Aluminum w/Mil-Spec Hard Anodize
- Hardware & Bracket Material:** Stainless Steel
- Exceeds MIL-STD810G** (Mil-Spec Testing)
- Built-In Overvoltage Protection**
- IP69K** (Waterproof, Submersible to 9ft)
- IK10 Compliant** (Mechanical Impact Testing)



Part Number	Description	Input Voltage (DC)	Raw Lumens Output	Watts Input	Weight (lb)
41-XXYY	OnX6, 10" LED Light Bar	9-36	6,450	63	4.25
41-XXYY	OnX6, 20" LED Light Bar	9-36	12,900	126	7.85
41-XXYY	OnX6, 30" LED Light Bar	9-36	19,350	189	11.45
41-XXYY	OnX6, 40" LED Light Bar	9-36	25,800	252	15.05
41-XXYY	OnX6, 50" LED Light Bar	9-36	32,250	315	18.65
41-XXYY	OnX6, 60" LED Light Bar	9-36	38,700	378	22.25

Size (XX)	Size Description
10	OnX6, 10" LED Light Bar
20	OnX6, 20" LED Light Bar
30	OnX6, 30" LED Light Bar
40	OnX6, 40" LED Light Bar
50	OnX6, 50" LED Light Bar
60	OnX6, 60" LED Light Bar

Pattern (YY)	Pattern Description
01	High Speed Spot
03	Driving Combo



PRODUCTS



Features

- Satisfaction Guaranteed** - 30 Day Money Back Guarantee
- Limited Lifetime Warranty** - Complete Purchase Protection
- uService®** - Replaceable Lenses And Optics
- ClearView®** - All The Light, Right Where You Need It
- MoistureBlock™** - Waterproof, Rain Proof, Submersible
- CopperDrive®** - Only LED Driven At 100%
- 5000K Daylight** - Less Driver Fatigue, Natural Color

Specifications (per 10" section)

- Lumens:** 4,000 Utilizing 8 Cree XP-G2 LEDs
- Wattage/Amps:** 40W / 3.3A
- Dimensions:** 10" x 3." x 1.6"
- Weight:** 1.7 lbs per 10" Section
- LED Life Expectancy:** 49,930 Hours
- Front Lens:** Hard Coated Polycarbonate
- Housing:** Extruded Aluminum, Anodized, Laser Etched
- Hardware & Bracket Material:** Stainless Steel
- Exceeds MIL-STD810G** (Mil-Spec Testing)
- Built-In Overvoltage Protection**
- IP69K** (Waterproof, Submersible to 9ft)
- IK10 Compliant** (Mechanical Impact Testing)

Part Number	Description	Input Voltage (DC)	Raw Lumens Output	Watts Input	Weight (lb)
71-XXYY	S8, 10" LED Light Bar	9-36	4,000	40	1.70
71-XXYY	S8, 20" LED Light Bar	9-36	8,000	80	3.25
71-XXYY	S8, 30" LED Light Bar	9-36	12,000	120	4.80
71-XXYY	S8, 40" LED Light Bar	9-36	16,000	160	6.35
71-XXYY	S8, 50" LED Light Bar	9-36	20,000	200	7.90

Size (XX)	Size Description
10	S8, 10" LED Light Bar
20	S8, 20" LED Light Bar
30	S8, 30" LED Light Bar
40	S8, 40" LED Light Bar
50	S8, 50" LED Light Bar

Pattern (YY)	Pattern Description
01	Spot
03	Driving Combo
05	Wide Cornering
06	Flood
13	Amber Driving Combo
14	Amber Wide Driving



PRODUCTS



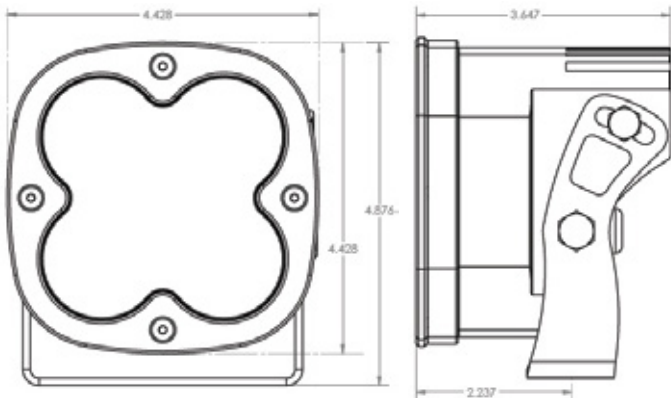
*Also available with round bezel

Features

- Satisfaction Guaranteed** - 30 Day Money Back Guarantee
- Limited Lifetime Warranty** - Complete Purchase Protection
- uService®** - Replaceable Lenses And Optics
- ClearView®** - All The Light, Right Where You Need It
- MoistureBlock™** - Waterproof, Rain Proof, Submersible
- CopperDrive®** - Only LED Driven At 100%
- 5000K Daylight** - Less Driver Fatigue, Natural Color

Specifications

- Lumens:** 4,300 Utilizing 4 Cree LEDs
- Wattage/Amps:** 40W / 3.33A
- Dimensions:** 4.43" x 3.65" x 4.43"
- Weight:** 2.45 lbs
- LED Life Expectancy:** 49,930 Hours
- Front Lens:** Hard Coated Polycarbonate
- Housing:** Aircraft Grade Aluminum w/Mil-Spec Hard Anodize
- Hardware & Bracket Material:** Stainless Steel
- Exceeds MIL-STD810G** (Mil-Spec Testing)
- Built-In Overvoltage Protection**
- IP69K** (Waterproof, Submersible to 9ft)
- IK10 Compliant** (Mechanical Impact Testing)



Part Number	Description	Input Voltage (DC)	Raw Lumens Output	Watts Input	Weight (lb)
68-00YY	XL Racer Edition, LED Light	9-36	4,300	40	2.45

Pattern (YY)	Pattern Description
01	High Speed Spot
03	Driving Combo



PRODUCTS



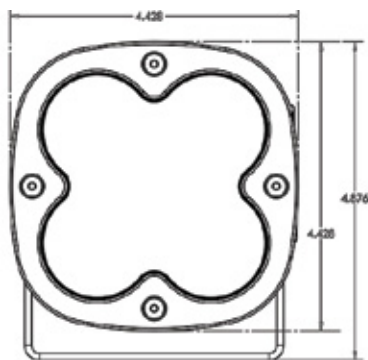
*Also available with round bezel

Features

- Satisfaction Guaranteed** - 30 Day Money Back Guarantee
- Limited Lifetime Warranty** - Complete Purchase Protection
- uService®** - Replaceable Lenses And Optics
- ClearView®** - All The Light, Right Where You Need It
- MoistureBlock™** - Waterproof, Rain Proof, Submersible
- CopperDrive®** - Only LED Driven At 100%
- 5000K Daylight** - Less Driver Fatigue, Natural Color

Specifications

- Lumens:** 9,500 Utilizing 4 Cree LEDs
- Wattage/Amps:** 80W / 5.79A
- Dimensions:** 4.43" x 3.65" x 4.43"
- Weight:** 2.45 lbs
- LED Life Expectancy:** 49,930 Hours
- Front Lens:** Hard Coated Polycarbonate
- Housing:** Aircraft Grade Aluminum w/Mil-Spec Hard Anodize
- Hardware & Bracket Material:** Stainless Steel
- Exceeds MIL-STD810G** (Mil-Spec Testing)
- Built-In Overvoltage Protection**
- IP69K** (Waterproof, Submersible to 9ft)
- IK10 Compliant** (Mechanical Impact Testing)



Part Number	Description	Input Voltage (DC)	Raw Lumens Output	Watts Input	Weight (lb)
76-00YY	XL 80, LED Light	9-36	9,500	80	2.45

Pattern (YY)	Pattern Description
01	High Speed Spot
03	Driving Combo
05	Wide Cornering
13	Amber Driving Combo
15	Amber Wide Cornering



PRODUCTS



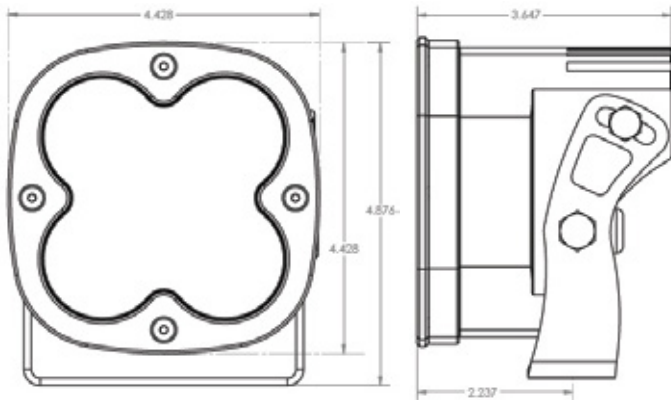
*Also available with round bezel

Features

- Satisfaction Guaranteed** - 30 Day Money Back Guarantee
- Limited Lifetime Warranty** - Complete Purchase Protection
- uService®** - Replaceable Lenses And Optics
- ClearView®** - All The Light, Right Where You Need It
- MoistureBlock™** - Waterproof, Rain Proof, Submersible
- CopperDrive®** - Only LED Driven At 100%
- 5000K Daylight** - Less Driver Fatigue, Natural Color

Specifications

- Lumens:** 4,900 Utilizing 4 Cree XP-L LEDs
- Wattage/Amps:** 40W / 3.33A
- Dimensions:** 4.43" x 3.65" x 4.43"
- Weight:** 2.45 lbs
- LED Life Expectancy:** 49,930 Hours
- Front Lens:** Hard Coated Polycarbonate
- Housing:** Aircraft Grade Aluminum w/Mil-Spec Hard Anodize
- Hardware & Bracket Material:** Stainless Steel
- Exceeds MIL-STD810G** (Mil-Spec Testing)
- Built-In Overvoltage Protection**
- IP69K** (Waterproof, Submersible to 9ft)
- IK10 Compliant** (Mechanical Impact Testing)



Part Number	Description	Input Voltage (DC)	Raw Lumens Output	Watts Input	Weight (lb)
50-00YY	XL Pro, LED Light	9-36	4,900	40	2.45

Pattern (YY)	Pattern Description
01	High Speed Spot
03	Driving Combo
05	Wide Cornering
13	Amber Driving Combo
15	Amber Wide Cornering



PRODUCTS



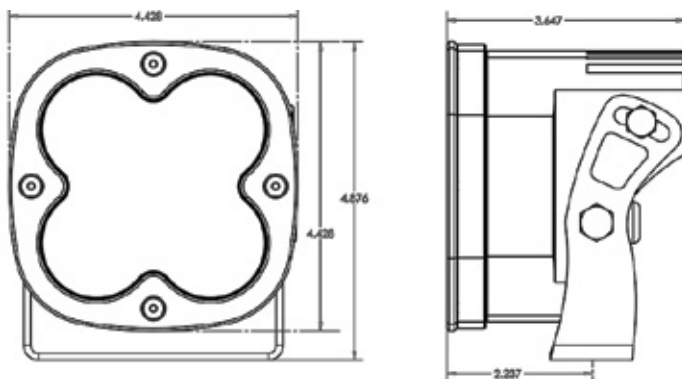
*Also available with round bezel

Features

- Satisfaction Guaranteed** - 30 Day Money Back Guarantee
- Limited Lifetime Warranty** - Complete Purchase Protection
- uService®** - Replaceable Lenses And Optics
- ClearView®** - All The Light, Right Where You Need It
- MoistureBlock™** - Waterproof, Rain Proof, Submersible
- CopperDrive®** - Only LED Driven At 100%
- 5000K Daylight** - Less Driver Fatigue, Natural Color

Specifications

- Lumens:** 1,800 Utilizing 4 Cree XP-G2 LEDs
- Wattage/Amps:** 20W / 1.4A
- Dimensions:** 4.43" x 3.65" x 4.43"
- Weight:** 2.45 lbs
- LED Life Expectancy:** 49,930 Hours
- Front Lens:** Hard Coated Polycarbonate
- Housing:** Aircraft Grade Aluminum w/Mil-Spec Hard Anodize
- Hardware & Bracket Material:** Stainless Steel
- Exceeds MIL-STD810G** (Mil-Spec Testing)
- Built-In Overvoltage Protection**
- IP69K** (Waterproof, Submersible to 9ft)
- IK10 Compliant** (Mechanical Impact Testing)



Part Number	Description	Input Voltage (DC)	Raw Lumens Output	Watts Input	Weight (lb)
56-00YY	XL Sport, LED Light	9-36	1,800	20	2.45

Pattern (YY)	Pattern Description
01	High Speed Spot
03	Driving Combo
05	Wide Cornering
13	Amber Driving Combo
15	Amber Wide Cornering



PRODUCTS

Squadron PRO



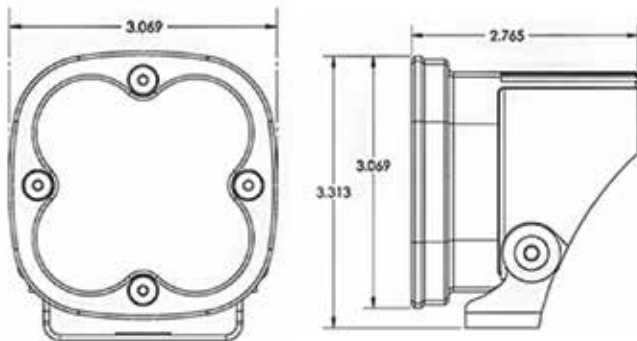
*Also available with round bezel

Features

- Satisfaction Guaranteed** - 30 Day Money Back Guarantee
- Limited Lifetime Warranty** - Complete Purchase Protection
- uService®** - Replaceable Lenses And Optics
- ClearView®** - All The Light, Right Where You Need It
- MoistureBlock™** - Waterproof, Rain Proof, Submersible
- CopperDrive®** - Only LED Driven At 100%
- 5000K Daylight** - Less Driver Fatigue, Natural Color

Specifications

- Lumens:** 4,900 Utilizing 4 Cree XM-L2 LEDs
- Wattage/Amps:** 42W / 3.5A
- Dimensions:** 3.07" x 2.77" x 3.07"
- Weight:** 12 ounces
- LED Life Expectancy:** 49,930 Hours
- Front Lens:** Hard Coated Polycarbonate
- Housing:** Aircraft Grade Aluminum w/Mil-Spec Hard Anodize
- Hardware & Bracket Material:** Stainless Steel
- Exceeds MIL-STD810G** (Mil-Spec Testing)
- Built-In Overvoltage Protection**
- IP69K** (Waterproof, Submersible to 9ft)
- IK10 Compliant** (Mechanical Impact Testing)



Part Number	Description	Input Voltage (DC)	Raw Lumens Output	Watts Input	Weight (oz)
49-00YY	Squadron Pro, LED Light	9-36	4,300	42	12

Pattern (YY)	Pattern Description
01	Spot
03	Driving Combo
05	Wide Cornering
06	Flood
11	Amber Spot
13	Amber Driving Combo
16	Amber Flood

Note: Also available in Flush Mount (49-10YY-FM) & Marine White (49-00YY-WT)



PRODUCTS

Squadron SPORT



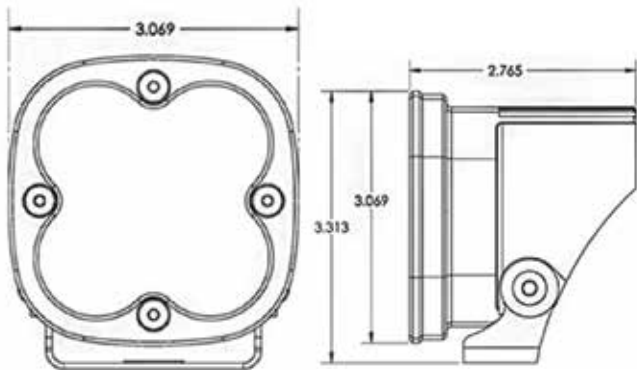
*Also available with round bezel

Features

- Satisfaction Guaranteed** - 30 Day Money Back Guarantee
- Limited Lifetime Warranty** - Complete Purchase Protection
- uService®** - Replaceable Lenses And Optics
- ClearView®** - All The Light, Right Where You Need It
- MoistureBlock™** - Waterproof, Rain Proof, Submersible
- CopperDrive®** - Only LED Driven At 100%
- 5000K Daylight** - Less Driver Fatigue, Natural Color

Specifications

- Lumens:** 1,800 Utilizing 4 Cree XP-G2 LEDs
- Wattage/Amps:** 20W / 1.4A
- Dimensions:** 3.07" x 2.77" x 3.07"
- Weight:** 12 ounces
- LED Life Expectancy:** 49,930 Hours
- Front Lens:** Hard Coated Polycarbonate
- Housing:** Aircraft Grade Aluminum w/Mil-Spec Hard Anodize
- Hardware & Bracket Material:** Stainless Steel
- Exceeds MIL-STD810G** (Mil-Spec Testing)
- Built-In Overvoltage Protection**
- IP69K** (Waterproof, Submersible to 9ft)
- IK10 Compliant** (Mechanical Impact Testing)



Part Number	Description	Input Voltage (DC)	Raw Lumens Output	Watts Input	Weight (oz)
50-00YY	Squadron Sport, LED Light	9-36	1,800	20	12

Pattern (YY)	Pattern Description
01	Spot
03	Driving Combo
05	Wide Cornering
06	Flood
11	Amber Spot
13	Amber Driving Combo
16	Amber Flood

Note: Also available in Flush Mount (55-10YY-FM) & Marine White (55-00YY-WT)



PRODUCTS

S2 PRO

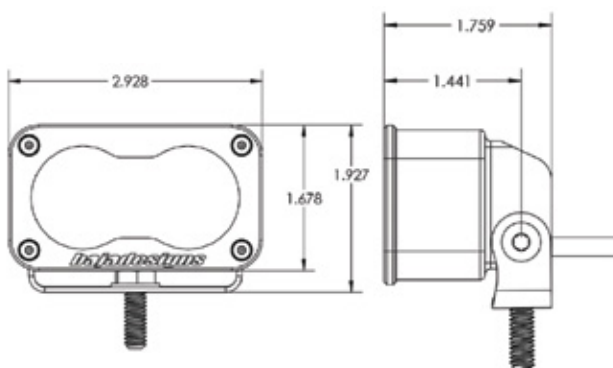


Features

- Satisfaction Guaranteed** - 30 Day Money Back Guarantee
- Limited Lifetime Warranty** - Complete Purchase Protection
- uService®** - Replaceable Lenses And Optics
- ClearView®** - All The Light, Right Where You Need It
- MoistureBlock™** - Waterproof, Rain Proof, Submersible
- CopperDrive®** - Only LED Driven At 100%
- 5000K Daylight** - Less Driver Fatigue, Natural Color

Specifications

- Lumens:** 2,150 Utilizing 2 Cree XM-L2 LEDs
- Wattage/Amps:** 21W / 1.75A
- Dimensions:** 2.93" x 1.76" x 1.68"
- Weight:** 8 ounces
- LED Life Expectancy:** 49,930 Hours
- Front Lens:** Hard Coated Polycarbonate
- Housing:** Aircraft Grade Aluminum w/Mil-Spec Hard Anodize
- Hardware & Bracket Material:** Stainless Steel
- Exceeds MIL-STD810G** (Mil-Spec Testing)
- Built-In Overvoltage Protection**
- IP69K** (Waterproof, Submersible to 9ft)
- IK10 Compliant** (Mechanical Impact Testing)



Part Number	Description	Input Voltage (DC)	Raw Lumens Output	Watts Input	Weight (oz)
48-00YY	S2 Pro, LED Light	9-36	2,150	21	8

Pattern (YY)	Pattern Description
01	Spot
03	Driving Combo
05	Wide Cornering
06	Flood
11	Amber Spot
13	Amber Driving Combo
16	Amber Flood

Note: Also available in Flush Mount (48-10YY-FM) & Marine White (48-00YY-WT)

Additional Lens Colors: Red (48-2103), Blue (48-3103) & Green (48-4103)



PRODUCTS

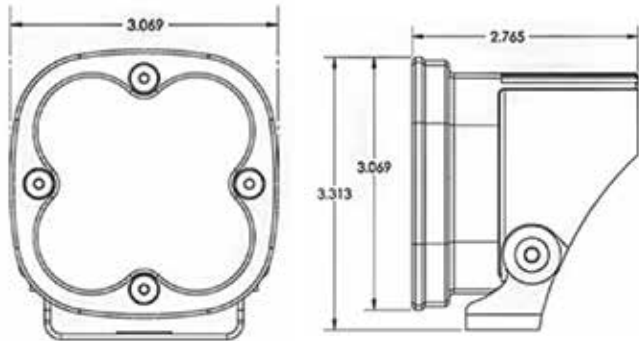
Squadron[®]
PRO IR



*Also available with round bezel

Features

- Satisfaction Guaranteed** - 30 Day Money Back Guarantee
- Limited Lifetime Warranty** - Complete Purchase Protection
- uService[®]** - Replaceable Lenses And Optics
- ClearView[®]** - All The Light, Right Where You Need It
- MoistureBlock[™]** - Waterproof, Rain Proof, Submersible
- CopperDrive[®]** - Only LED Driven At 100%



Specifications

(940nm Specifications)

- LED:** 4 Osram 940nm SFH4725S LEDs
- High Output Mode:** 1700mW/sr, (3960mW)
- Wattage/Amps/Volts:** 11W, .80A at 13.80Vdc, .40A at 27.6Vdc

(850nm Specifications)

- LED:** 4 Osram 850nm SFH4515AS LEDs
- High Output Mode:** 3600mW/sr, (8000mW)
- Low Output Mode:** 900mW/sr, (2000mW)
- Wattage/Amps/Volts:** 26W, 1.88A at 13.8Vdc, .94A at 27.6Vdc

- Weight:** 12 ounces
- Dimensions:** 3.07" x 2.76" x 3.07"
- LED Life Expectancy:** 49,930 Hours
- Front Lens:** Hard Coated Polycarbonate
- Housing:** Aircraft Grade Aluminum w/Mil-Spec Hard Anodize
- Bezel:** Billet Machined Aluminum
- Hardware & Bracket Material:** Stainless Steel
- Built-In Overvoltage Protection**
- Exceeds MIL-STD810G** (Mil-Spec Testing)
- IP69K** (Waterproof up to 9ft & Pressure Washable)
- IK10 Compliant** (Mechanical Impact Testing)



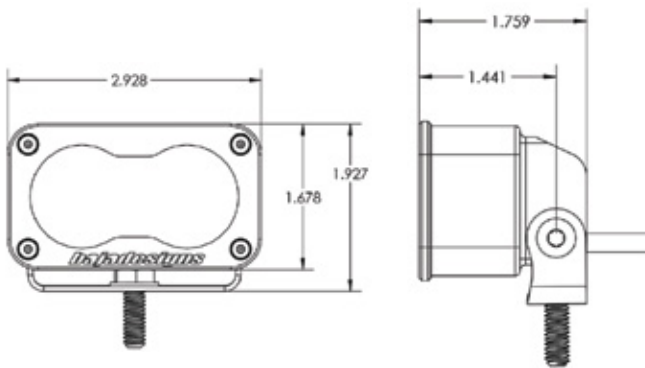
PRODUCTS

S2 PRO IR



Features

- Satisfaction Guaranteed** - 30 Day Money Back Guarantee
- Limited Lifetime Warranty** - Complete Purchase Protection
- uService®** - Replaceable Lenses And Optics
- ClearView®** - All The Light, Right Where You Need It
- MoistureBlock™** - Waterproof, Rain Proof, Submersible
- CopperDrive®** - Only LED Driven At 100%



Specifications

(940nm Specifications)

- LED:** 2 Osram 940nm SFH4725S LEDs
- High Output Mode:** 850mW/sr, (1980mW)
- Wattage/Amps/Volts:** 6W, .40A at 13.80Vdc, .20A at 27.6Vdc

(850nm Specifications)

- LED:** 2 Osram 850nm SFH4515AS LEDs
- High Output Mode:** 1800mW/sr, (4000mW)
- Low Output Mode:** 450mW/sr, (1000mW)
- Wattage/Amps/Volts:** 13W, .94A at 13.8Vdc, .47A at 27.6Vdc

- Weight:** 8 ounces
- Dimensions:** 2.93" x 1.76" x 1.68"
- LED Life Expectancy:** 49,930 Hours
- Front Lens:** Hard Coated Polycarbonate
- Housing:** Aircraft Grade Aluminum w/Mil-Spec Hard Anodize
- Bezel:** Billet Machined Aluminum
- Hardware & Bracket Material:** Stainless Steel
- Built-In Overvoltage Protection**
- MIL-STD810G** (Mil-Spec Testing)
- IP69K** (Waterproof up to 9ft & Pressure Washable)
- IK10 Compliant** (Mechanical Impact Testing)

