



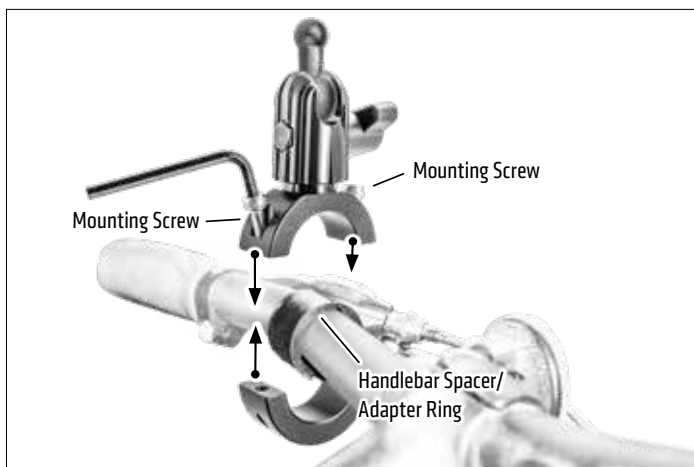
**Package Contents:**

- (1) MC4B01B – Motorcycle Handlebar Mount
- (1) SP20MM17 – 20mm Ball to 17mm Ball Adapter
- (1) RVXLWR-B – RoadVise® XL Universal Phone and Midsize Tablet Holder with Tightening Ring

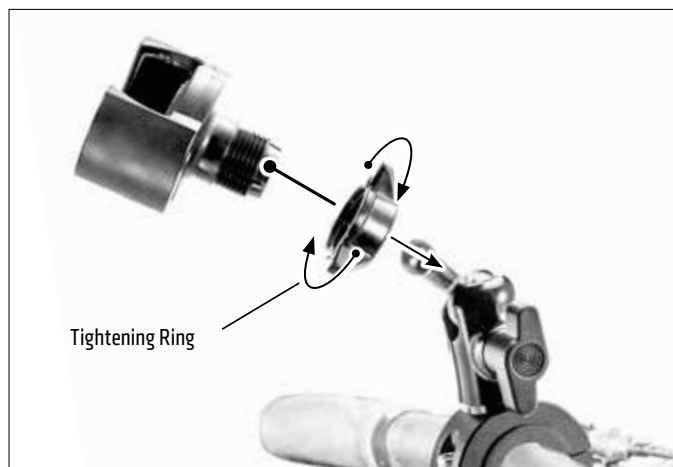
This Motorcycle Mount fits cylindrical handlebars up to 30mm diameter and comes with 3 handlebar spacer/adaptor rings of different widths. Select the appropriate size for optimum mounting to your handlebar.

**IMPORTANT:** Do not overtighten ring. Overtightening ring may damage threads on holder and also make it difficult to adjust holder.

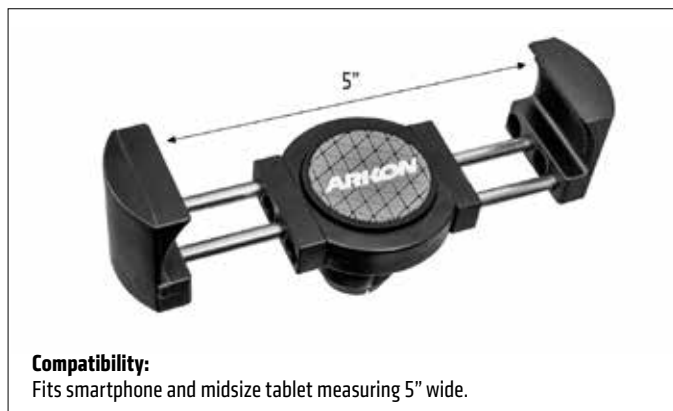
- 1** Place handlebar spacer/adaptor ring around handlebar. Attach mount to handlebar around spacer. Use the included hex key to securely tighten both mounting screws.



- 2** Unscrew tightening ring from RoadVise holder. Place tightening ring over 17mm ball end of mount then snap the RoadVise Universal Smartphone holder onto 17mm ball and tighten ring. Set to desired position.



- 3** Using two hands, insert phone into the holder by pushing the device into one of the spring-loaded legs. Expand the other leg and fully insert device until it lays flat against the blue rubber pad. Rotate or adjust angle as needed.



**Compatibility:**  
Fits smartphone and midsize tablet measuring 5" wide.

**! Safety Precautions**  
Arkon is not responsible for any damages caused to your vehicle, your device, or yourself due to the installation or use of this mount.

**ARKON MOUNTS**