

Package Contents:

- (1) MC2C - Motorcycle Handlebar Mounting Pedestal - Chrome
- (1) SP-SB-GPLAT - 17mm Ball Adapter for GoPro® HERO®



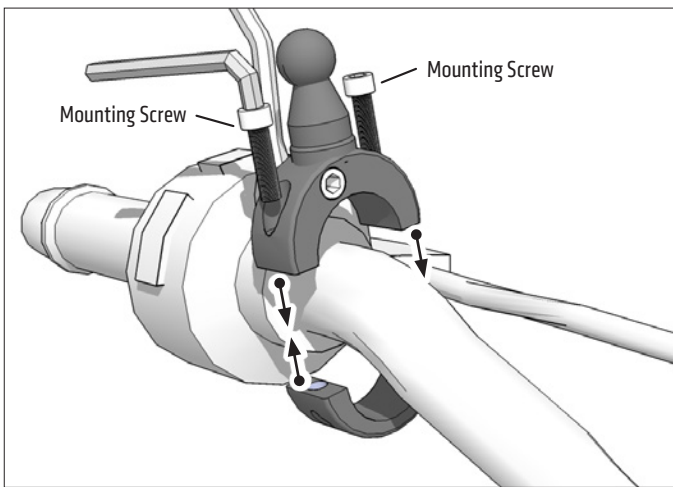
MC2C



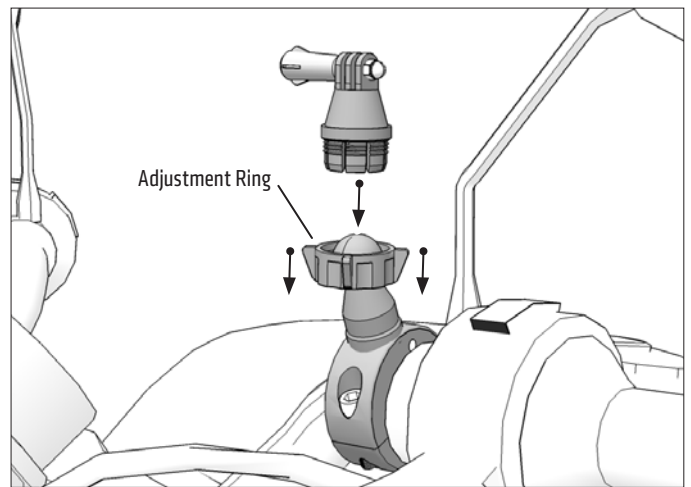
SP-SB-GPLAT

GoPro® and HERO® are trademarks or registered trademarks of Woodman Labs, Inc. in the United States and other countries. Arkon Resources, Inc. is not affiliated with Woodman Labs.

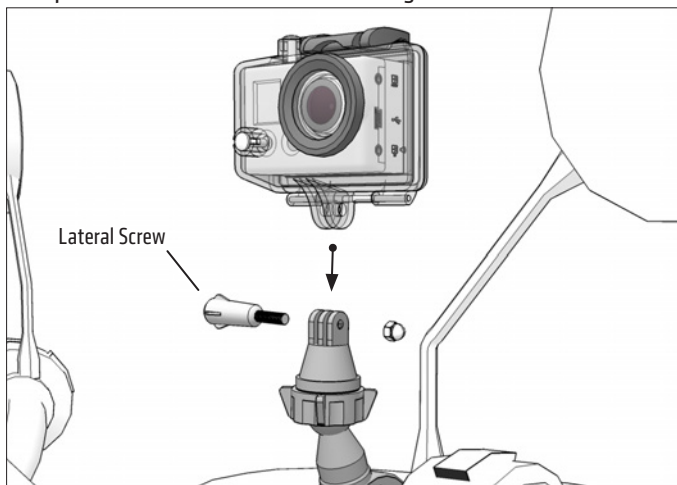
- 1** Attach mount to handlebar. Use the included hex key to securely tighten both mounting screws.



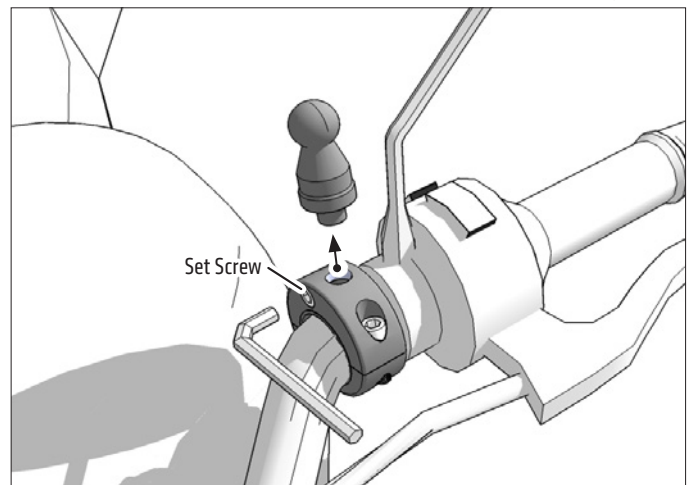
- 2** Attach the GoPro adapter to the mount by placing the adjustment ring over the pedestal ball then snapping the adapter onto the pedestal. Tighten ring to set position.



- 3** Unscrew lateral screw and insert GoPro into GoPro mounting pattern. Reinsert lateral screw and tighten to set.



OPTIONAL: To remove holder without removing the handlebar attachment, use the hex key to unscrew the set screw and lift up.



Safety Precautions

Arkon is not responsible for any damages caused to your vehicle, your device, or yourself due to the installation or use of this mount.

ARKON
RESOURCES INC.

The Mobile Mounting Specialists™