



MC2B

SP-SB-GPLAT

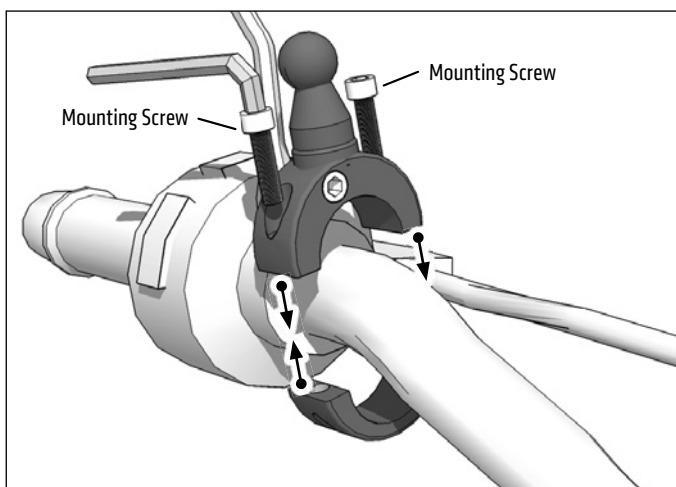
**Package Contents:**

- (1) MC2B – Motorcycle Handlebar Mounting Pedestal - Black
- (1) SP-SB-GPLAT – 17mm Ball Adapter for GoPro® HERO®
- (1) 68111-K – 3 Handlebar Spacer Rings

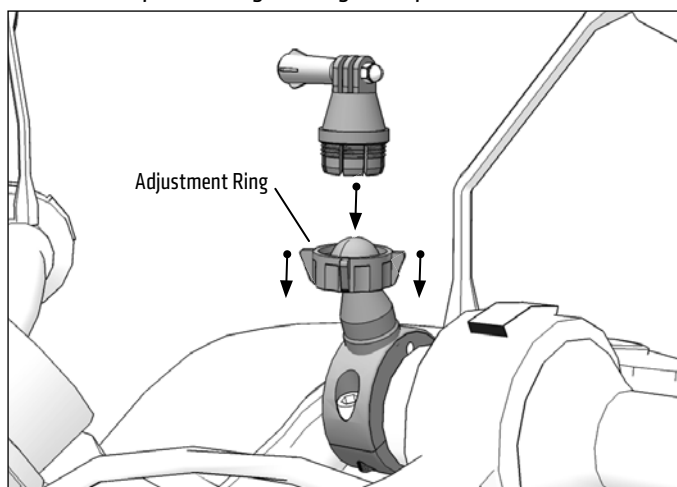
The Premium Motorcycle Mount comes with 3 handlebar spacer/adapter rings of different sizes. Select the appropriate size for optimum mounting to your handlebar.

GoPro® and HERO® are trademarks or registered trademarks of Woodman Labs, Inc. in the United States and other countries. Arkon Resources, Inc. is not affiliated with Woodman Labs.

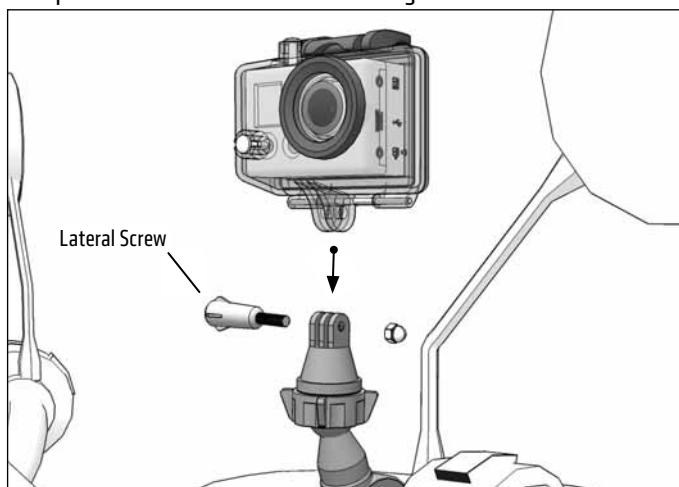
- 1** Attach mount to handlebar. Use the included hex key to securely tighten both mounting screws.



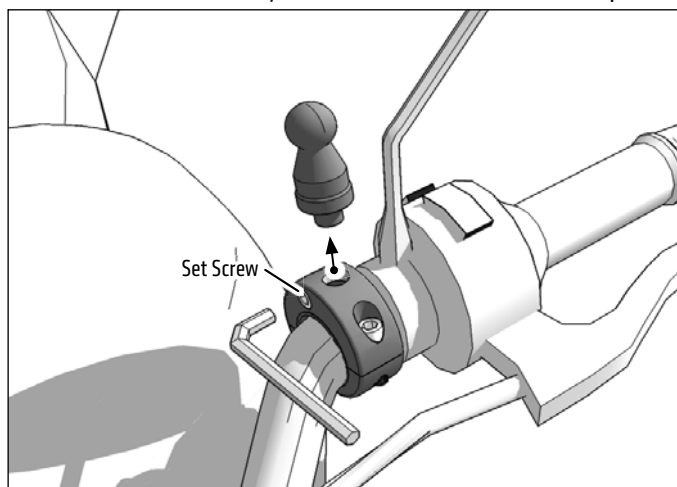
- 2** Attach the GoPro adapter to the mount by placing the adjustment ring over the pedestal ball then snapping the adapter onto the pedestal. Tighten ring to set position.



- 3** Unscrew lateral screw and insert GoPro into GoPro mounting pattern. Reinsert lateral screw and tighten to set.



**OPTIONAL:** To remove holder without removing the handlebar attachment, use the hex key to unscrew the set screw and lift up.



**! Safety Precautions**  
 Arkon is not responsible for any damages caused to your vehicle, your device, or yourself due to the installation or use of this mount.

**ARKON**  
 RESOURCES INC. The Mobile Mounting Specialists™