



Package Contents:

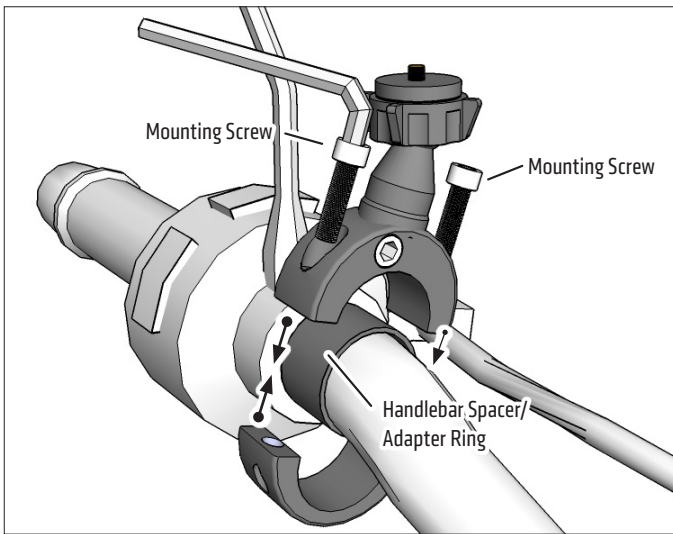
- (1) MC2B – Motorcycle Handlebar Mounting Pedestal - Black
- (1) SP-SB-RING – Swivel Adjustment Ring
- (1) SP-1420CAM – 1/4"-20 Swivel Ball Head

The Premium Motorcycle Mount comes with 3 handlebar spacer/adapter rings of different sizes. Select the appropriate size for optimum mounting to your handlebar.

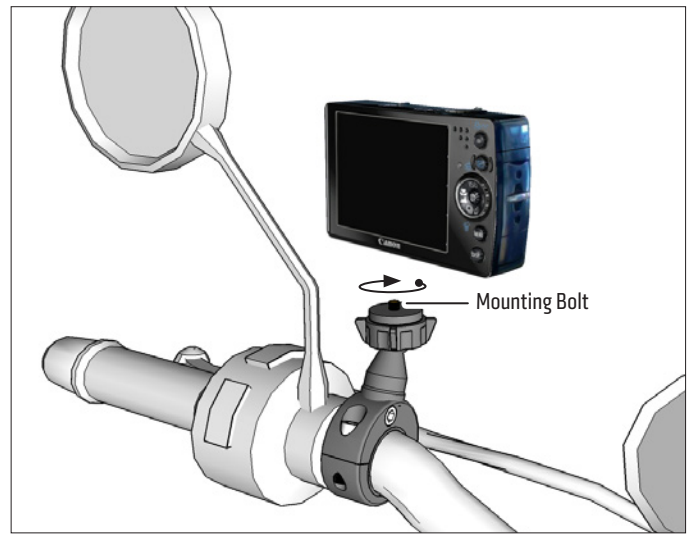
Device Compatibility:

Small digital cameras with the standard 1/4"-20 camera pattern, including the Sony Action Cam, Sony POV HD Flash Memory Camcorder, Contour ROAM2, JVC ADIXXION, and JVC ADIXXION Cam 2.

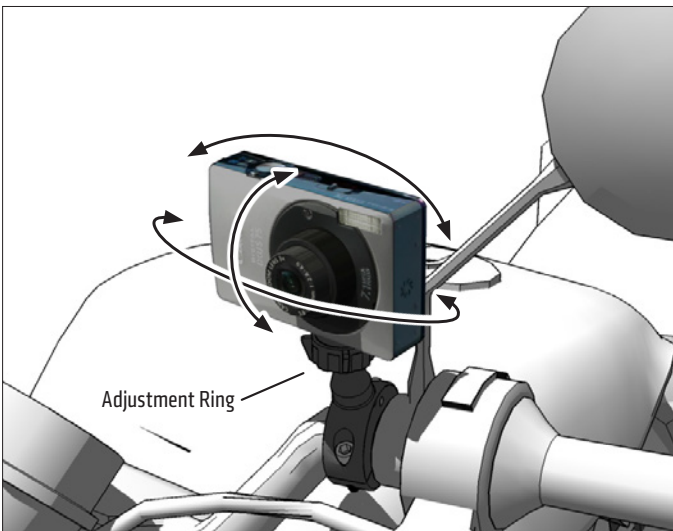
- 1** Place handlebar spacer/adapter ring around handlebar. Attach mount to handlebar around spacer. Use the included hex key to to securely tighten both mounting screws.



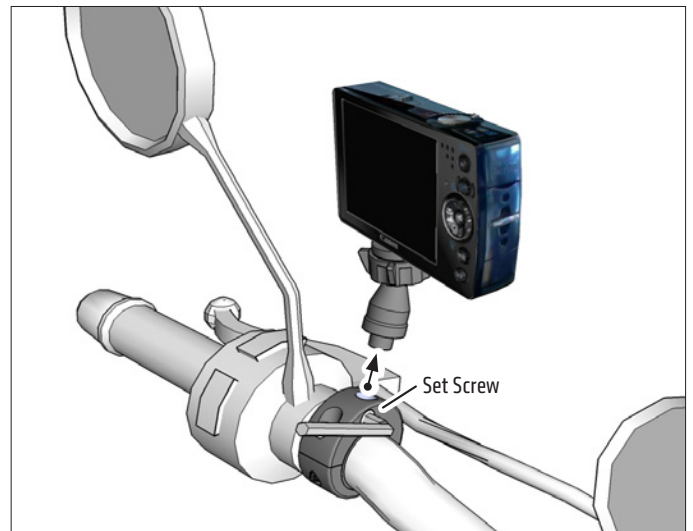
- 2** Attach camera by screwing it onto the 1/4"-20 mounting bolt.



- 3** Adjust camera position as desired. Tighten adjustment ring to secure position.



OPTIONAL: To remove holder without removing the handlebar attachment, use the hex key to unscrew the set screw and lift up.



Safety Precautions

Arkon is not responsible for any damages caused to your vehicle, your device, or yourself due to the installation or use of this mount.

ARKON
RESOURCES INC.

The Mobile Mounting Specialists™