

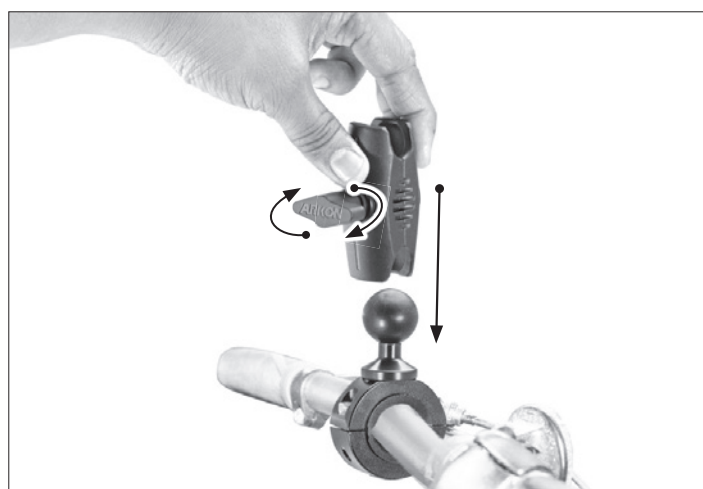
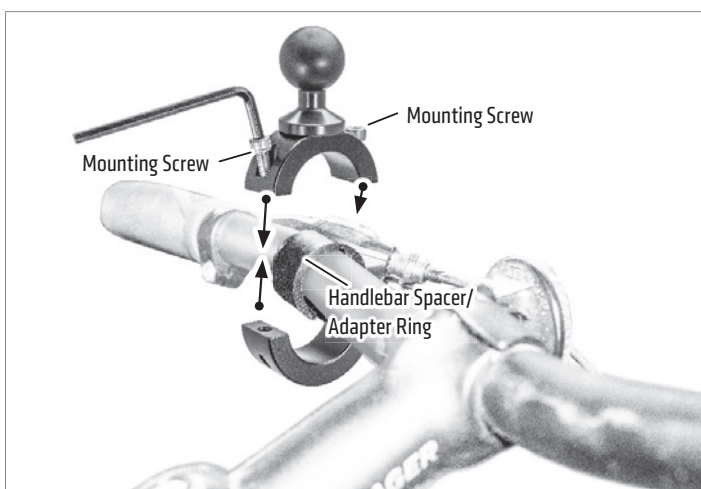
**Package Contents:**

- (1) MC25MMB – Motorcycle Handlebar Mount
- (1) SP-RMS250 – Small Robust Mount Shaft
- (1) SM060-2 – Slim-Grip® Ultra™ Universal Smartphone & Tablet Holder
- (1) APRM2T – 25mm Ball to Dual T-Tab Adapter
- (1) AP2TSTRAP – Dual T-Slot to Dual T-Tab Elastic Securing Strap

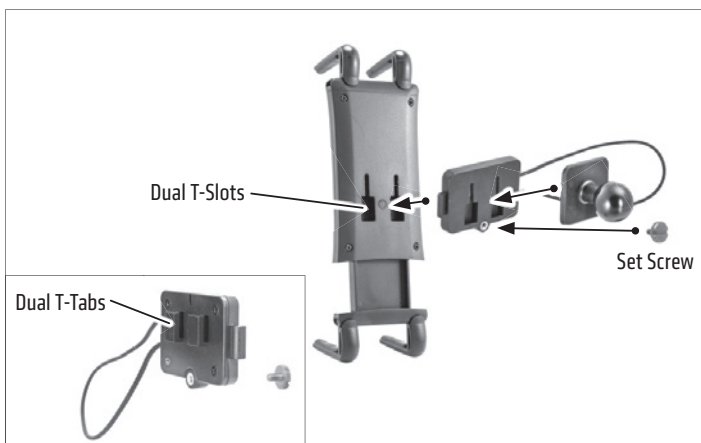
This Motorcycle Mount fits cylindrical handlebars up to 30mm diameter and comes with 3 handlebar spacer/adaptor rings of different widths. Select the appropriate size for optimum mounting to your handlebar.

The Slim-Grip® Ultra™ Universal Smartphone & Tablet Holder fits devices up to 7.5 inches tall.

- 1 Place handlebar spacer/adaptor ring around handlebar. Attach mount to handlebar around spacer. Use the included hex key to securely tighten both mounting screws.
- 2 Attach Robust Mount Shaft by unscrewing knob to loosen collar. Adjust angle then retighten knob to secure.



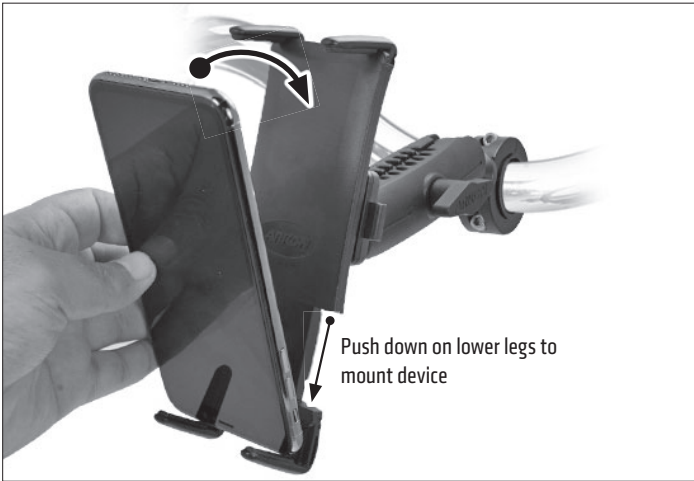
- 3 Attach strap by inserting the strap's Dual T-Tabs in to the holder's Dual T-Slots. Attach adapter by inserting the adapter's Dual T-Tabs into the strap's Dual T-Slots. Insert screw to secure.
- 4 Attach the assembled mobile phone holder by combining the adapter to the Robust Mount Shaft and tightening to secure.



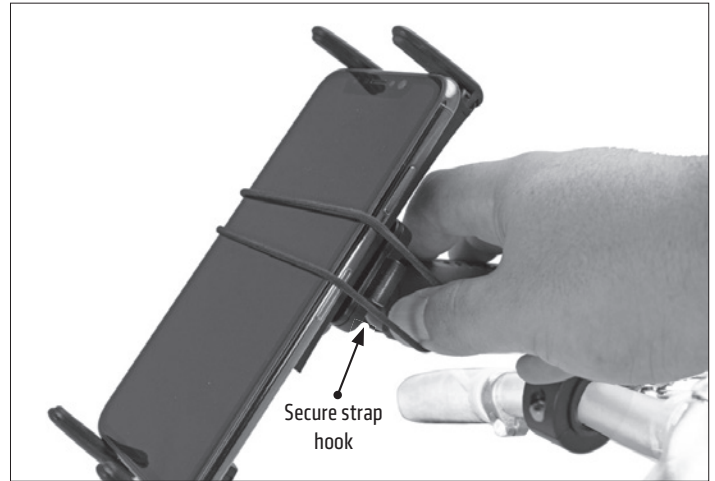
**! Safety Precautions**  
 Arkon is not responsible for any damages caused to your vehicle, your device, or yourself due to the installation or use of this mount.

**ARKON MOUNTS**

5 Insert device. Adjust mount as needed.



6 Place securing strap across the device and secure it to the L-shaped strap hook.



**Safety Precautions**

Arkon is not responsible for any damages caused to your vehicle, your device, or yourself due to the installation or use of this mount.

**ARKON® MOUNTS**

© Copyright 2019 Arkon Resources, Inc.