



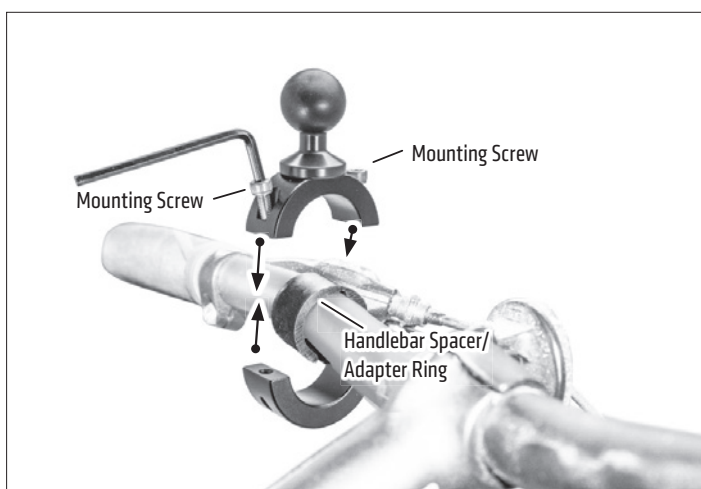
Package Contents:

- (1) MC25MMB – Motorcycle Handlebar Mount Pedestal
- (1) SP-RMS250 – Small Robust Mount Shaft
- (1) SM040-2 – Mega Grip Universal Phone Holder
- (1) APRM2T – 25mm Ball to Dual T-Tab Adapter
- (1) APLSSTRAP – Dual T-Slot to Dual T-Tab Elastic Securing Strap

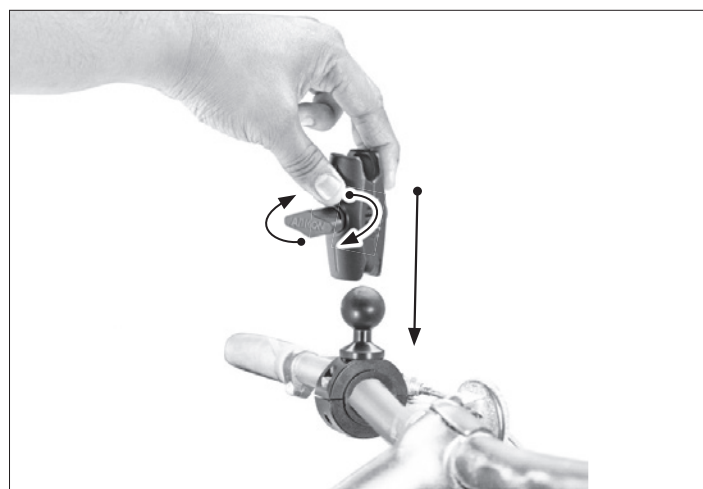
This Motorcycle Mount fits cylindrical handlebars up to 30mm diameter and comes with 3 handlebar spacer/adaptor rings of different widths. Select the appropriate size for optimum mounting to your handlebar.

The Mega Grip Universal Phone Holder fits smartphones up to 3.25 inches wide.

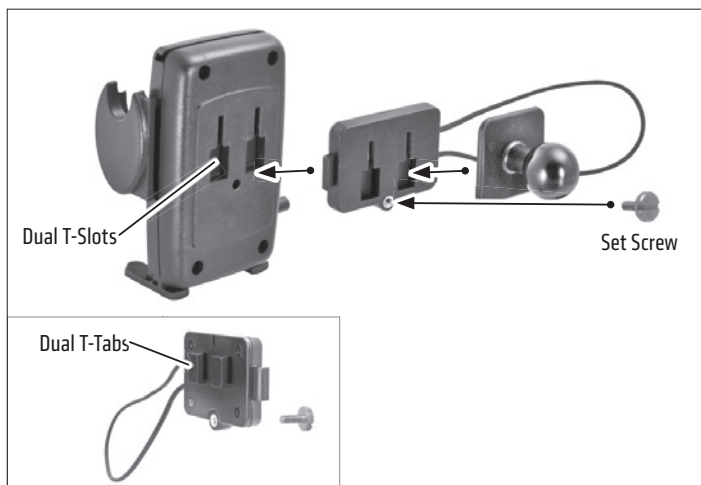
- 1 Place handlebar spacer/adaptor ring around handlebar. Attach mount to handlebar around spacer. Use the included hex key to securely tighten both mounting screws.



- 2 Attach Robust Mount Shaft by unscrewing knob to loosen collar. Adjust angle then retighten knob to secure.



- 3 Attach strap by inserting the strap's Dual T-Tabs in to the holder's Dual T-Slots. Attach adapter by inserting the adapter's Dual T-Tabs into the strap's Dual T-Slots. Insert screw to secure.



- 4 Attach the assembled mobile phone holder by combining the adapter to the Robust Mount Shaft and tightening to secure.

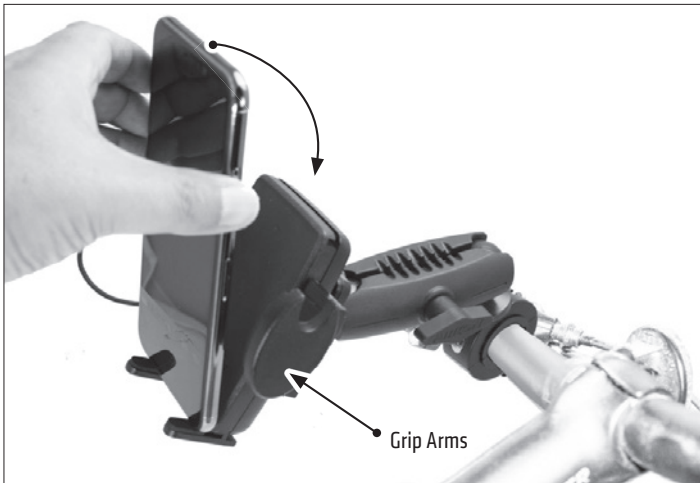


Safety Precautions

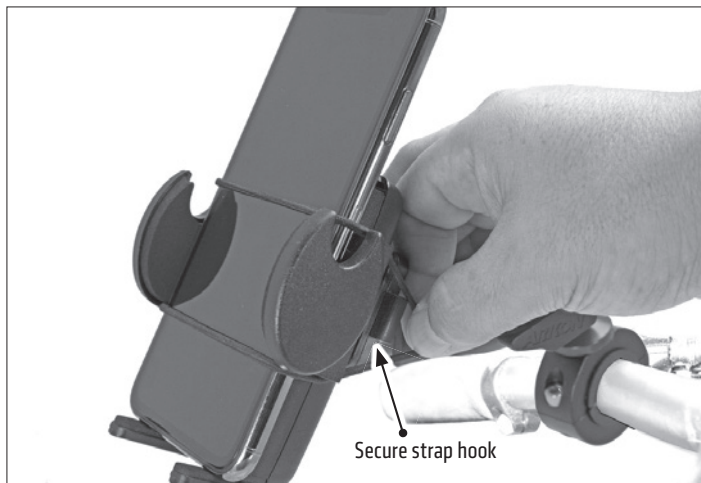
Arkon is not responsible for any damages caused to your vehicle, your device, or yourself due to the installation or use of this mount.

ARKON MOUNTS

- 5 Place the phone into the holder with the device sitting on the support legs. Clamp the grip arms inward to secure the device in the holder.



- 6 Place strap across the device and secure it to the L-shaped strap hook.



- 7 Press release button to open mount arms.



Safety Precautions

Arkon is not responsible for any damages caused to your vehicle, your device, or yourself due to the installation or use of this mount.

ARKON MOUNTS