

## HS111

### ULTRA SERIES WATERPROOF SPEAKERS

FOR HARLEY-DAVIDSON® MOTORCYCLES



Adjustable tweeter direction to improve sound quality when travelling at speed!



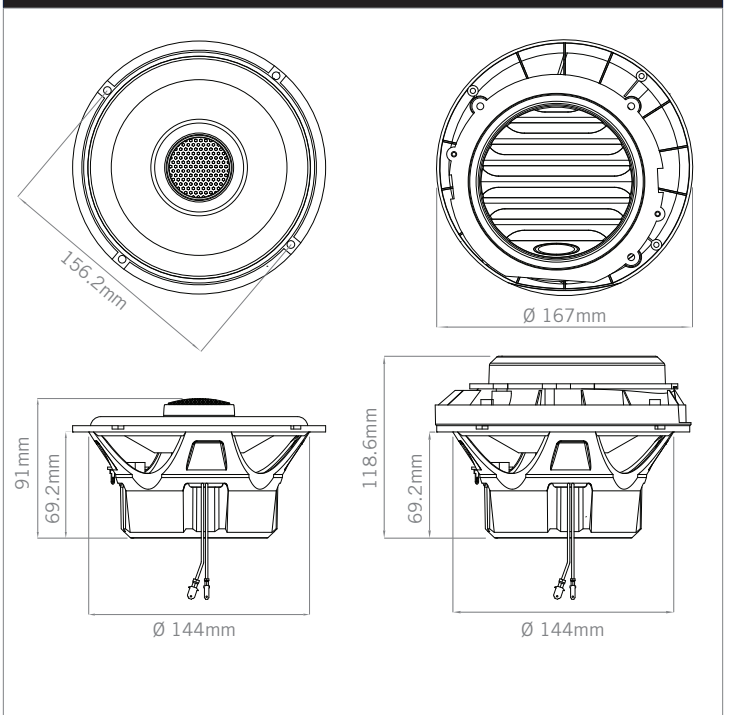
**Includes Grill, Mounting Ring & Hardware**

1998-2013 models require grill & mounting ring (included).  
2014+ models do not require grill & mounting ring.

#### SPECIFICATIONS

Type:	Full-range, 2-way waterproof speaker
Cone Size:	6.5"
Tweeter Size:	1" / 25mm
Outside Grill Diameter:	167mm
Mounting Hole Diameter:	144mm
Mounting Depth:	69.2mm
Impedance:	4 Ohm
Frequency Response:	60Hz - 20,000 Hz
Cross-Over	12db/Octave
Sensitivity:	87dB
Power (Total):	360W (2x 180W)
Power (RMS):	180W (2x 90W)
Waterproof:	Yes
Grill Material:	UV Plastic, 500hrs stable
Basket Material:	Aluminum
Cone Material:	Complex Fibre
Tweeter Material:	Silk Neodymium
Magnet Material:	14.3oz Neodymium
Additional Features:	Adjustable Tweeter direction
Accessories:	Grill, Mounting Ring & Hardware (all included)

#### DIMENSIONS



Design and specification subject to change without notice.E&OE