

HS111

ULTRA SERIES WATERPROOF SPEAKERS

FOR HARLEY-DAVIDSON[®] MOTORCYCLES



Adjustable tweeter direction to improve sound quality when travelling at speed!



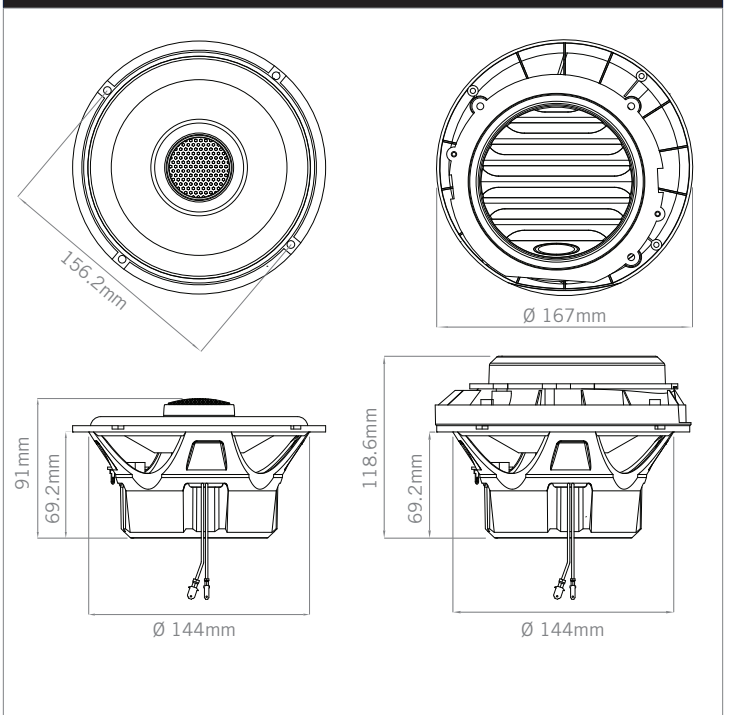
Includes Grill, Mounting Ring & Hardware

1998-2013 models require grill & mounting ring (included).
2014+ models do not require grill & mounting ring.

SPECIFICATIONS

Type:	Full-range, 2-way waterproof speaker
Cone Size:	6.5"
Tweeter Size:	1" / 25mm
Outside Grill Diameter:	167mm
Mounting Hole Diameter:	144mm
Mounting Depth:	69.2mm
Impedance:	4 Ohm
Frequency Response:	60Hz - 20,000 Hz
Cross-Over	12db/Octave
Sensitivity:	87dB
Power (Total):	360W (2x 180W)
Power (RMS):	180W (2x 90W)
Waterproof:	Yes
Grill Material:	UV Plastic, 500hrs stable
Basket Material:	Aluminum
Cone Material:	Complex Fibre
Tweeter Material:	Silk Neodymium
Magnet Material:	14.3oz Neodymium
Additional Features:	Adjustable Tweeter direction
Accessories:	Grill, Mounting Ring & Hardware (all included)

DIMENSIONS



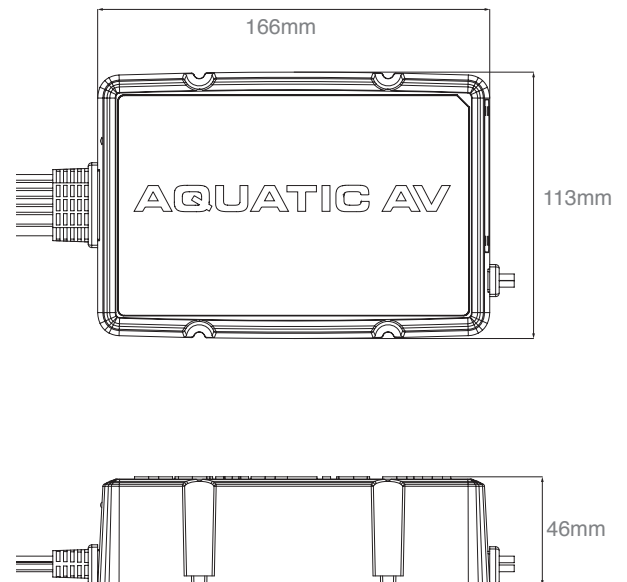
AQ-AD300.2-MICRO WATERPROOF 2 CHANNEL AMPLIFIER FOR HARLEY-DAVIDSON® MOTORCYCLES



SPECIFICATIONS

Type:	Digital (Class D) Bridgeable Amplifier
Waterproof:	Yes - IP65
Input Channels (Low-Level):	RCA inputs (L & R)
Input Channels (High-Level):	Speaker inputs (L & R) with Auto Detect
Output Channels:	2
Output Impedance (nominal):	2 Ohm & 4 Ohm stable
Power Output (RMS) @ 4 Ohms:	100W per channel
Power Output (RMS) @ 2 Ohms:	150W per channel
Power Output (RMS) - Bridged @ 2 Ohms:	300W
THD:	<1%
THD (Bridged):	1%
Frequency Response:	10Hz - 45kHz
High-Pass/Low-Pass Cross-Over Frequency:	Configurable from 40Hz - 400Hz
Bass Boost (@ 85Hz):	Configurable from 0 - 12dB
Overload Protection:	Yes

DIMENSIONS



Design and specification subject to change without notice.E&OE