

AQ-AK-BAT Amplifier Mounting Kit Installation

Installation Instructions for Harley-Davidson Motorcycle® Batwing Fairings 1998-2013 models

AQUATIC AV®

products with a watertight reputation

AQ-AK-BAT BRACKET FOR USE WITH BATWING FAIRINGS & AQ-AD300.2-MICRO AMPLIFIER

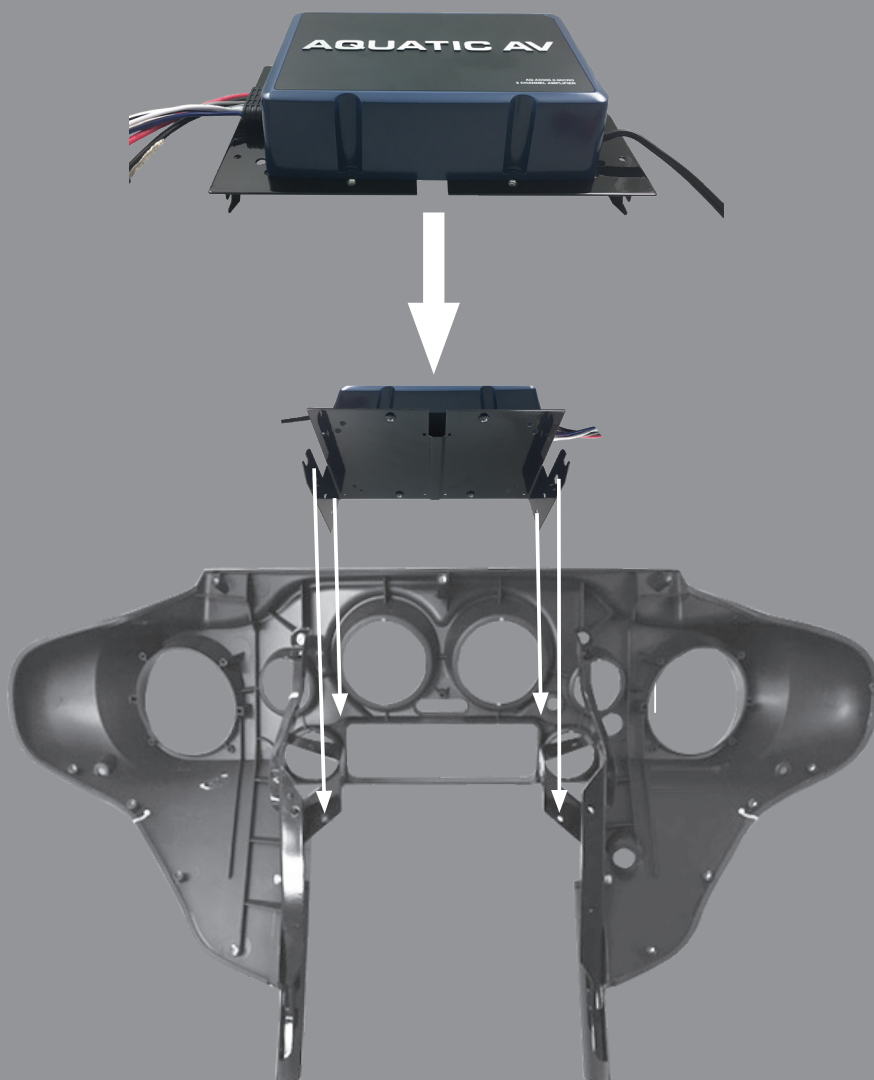
For Batwing models the same four screws that are used to install the radio are used to mount the amp bracket to the fairing support brackets (Harley part numbers 58478-96B, 58479-96B).

1. Remove the four screws from the inner faring brackets that hold the stereo in place.
2. Place the AQ-AK-BAT amplifier bracket on top of the stereo with the mounting tabs facing down towards the faring support brackets.
3. Use the screws to secure the amplifier bracket in between the fairing support bracket and the stereo.
4. Use the 4 included screws to secure your Aquatic AV AQ-AD300.2-MICRO amplifier to the bracket.
5. Connect speaker leads to the amplifier.
6. Using the AQ-HDAMPEXT-1 included, connect the power and ground wires to the battery.

Aquatic AV AQ-AD300.2-MICRO amplifier sold separately.



AQ-HDAMPEXT-1



Find out more about electronics we have.