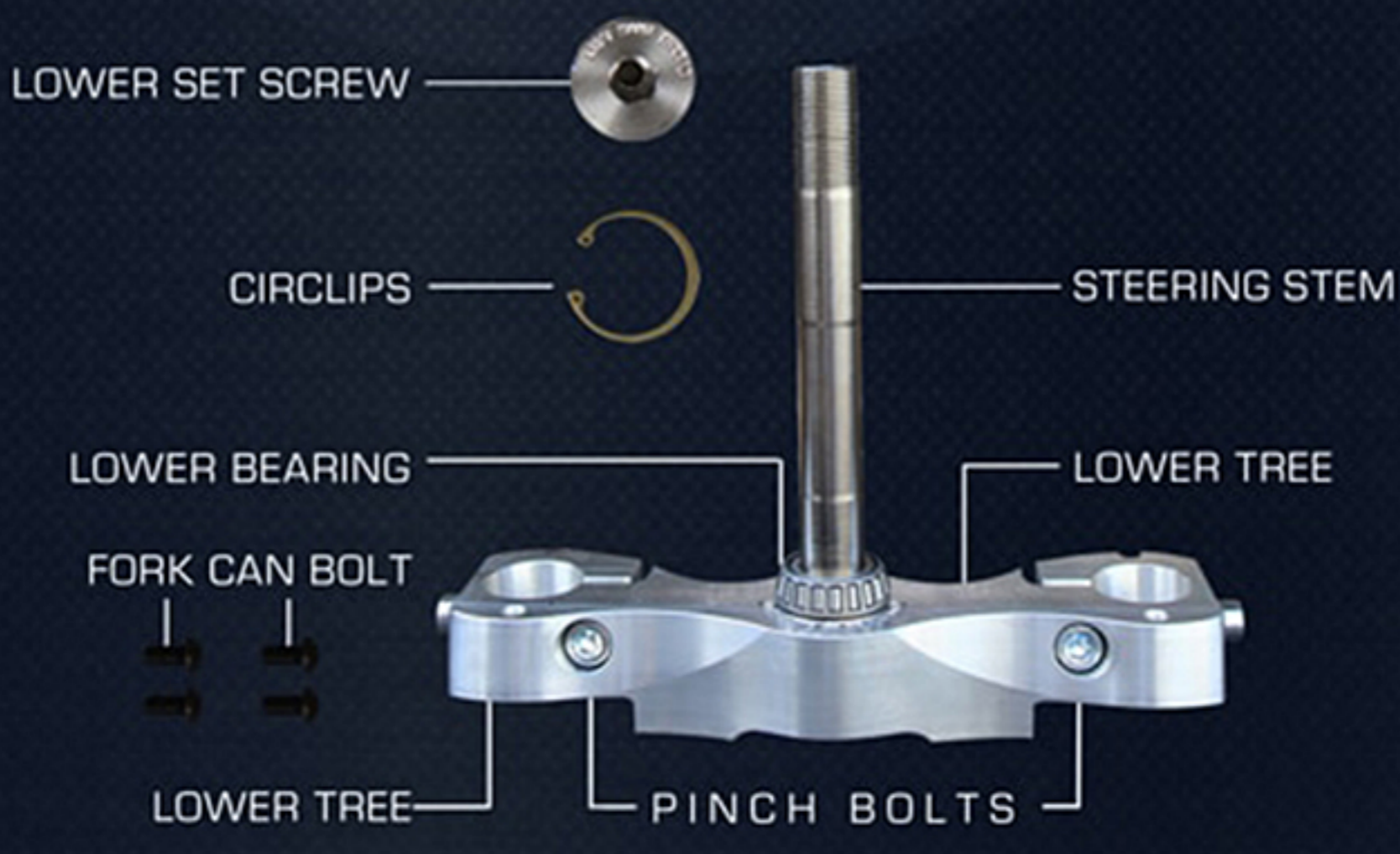
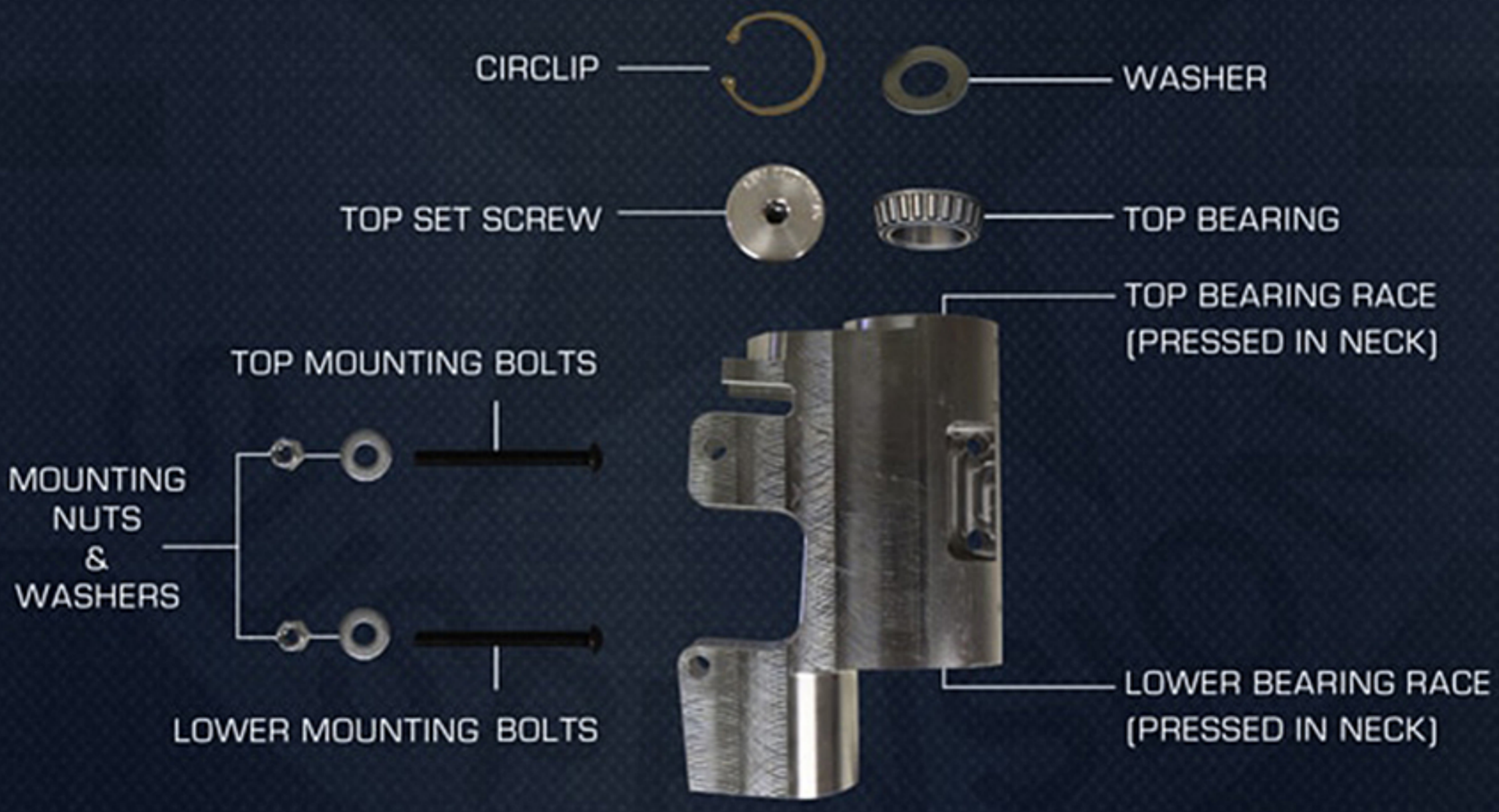
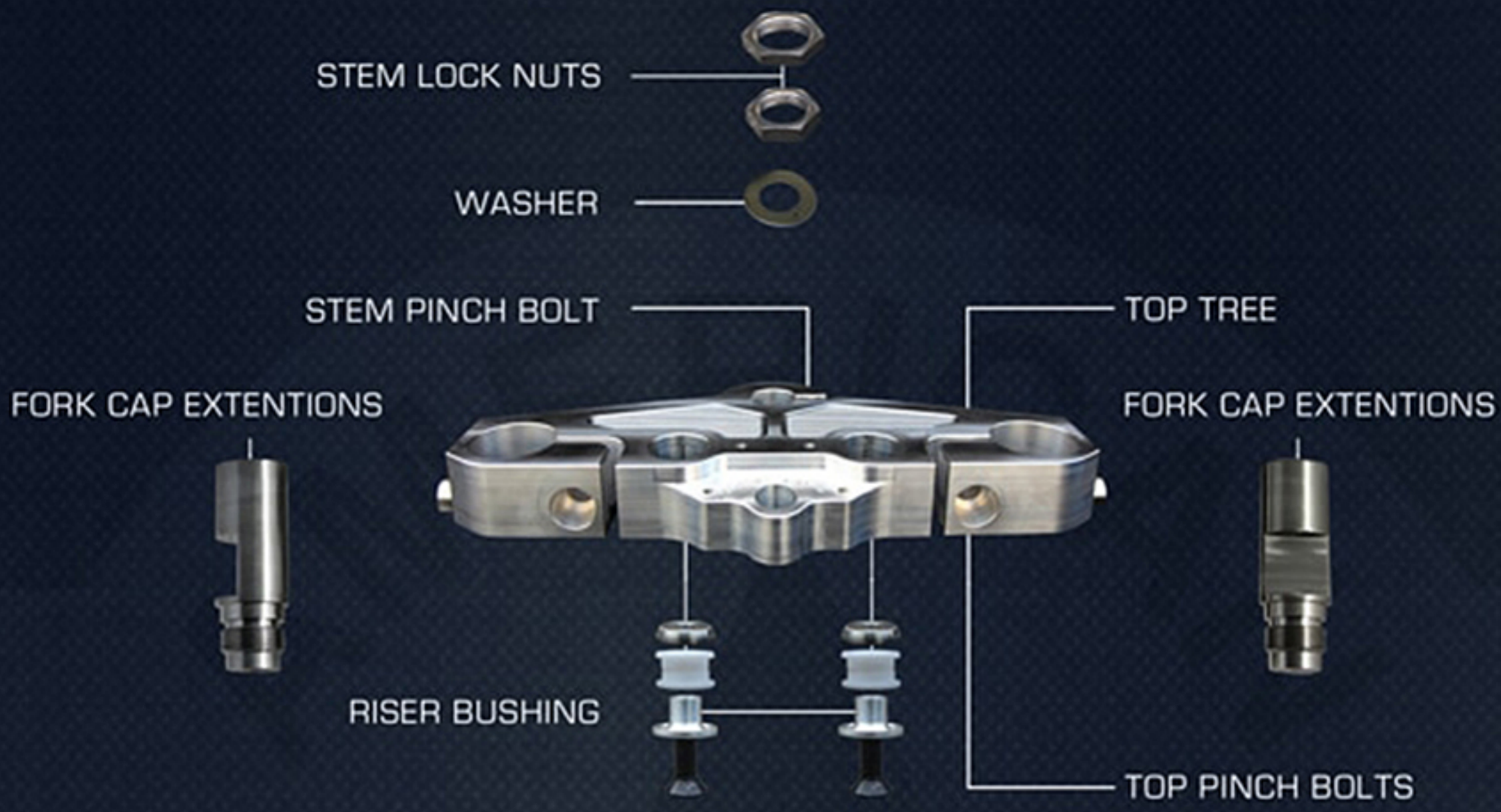


AMERICAN SUSPENSION

BOLT ON NECK KIT



American Suspension

Bolt-On rake kit for installing a 23/26/30/32 Wheel

1997-2016
HD Touring



- *Perfect Ride*
- *No Cutting*
- *No Welding*
- *Easy Install*



NO CUTTING NO WELDING

30" OR 26" WHEEL INSTALLATION

DIRECT BOLT ON

PERFECT TRAIL FOR

PERFECT HANDLING

EZ SAME DAY INSTALATION



THE EASE OF A BOLT ON WITH THE RELIABILITY OF A WELD ON

Race Track Inspired
Bearing Adjustment System.
Set and Forget.

Fork Extensions completely
fill the top tree to protect
from high speed wobble.

Perfect trail for any 23", 26"
30" or 32" conversions.

Multiple Redundant Fail Safe
System designs provide the
SAFEST Bolt On Neck.

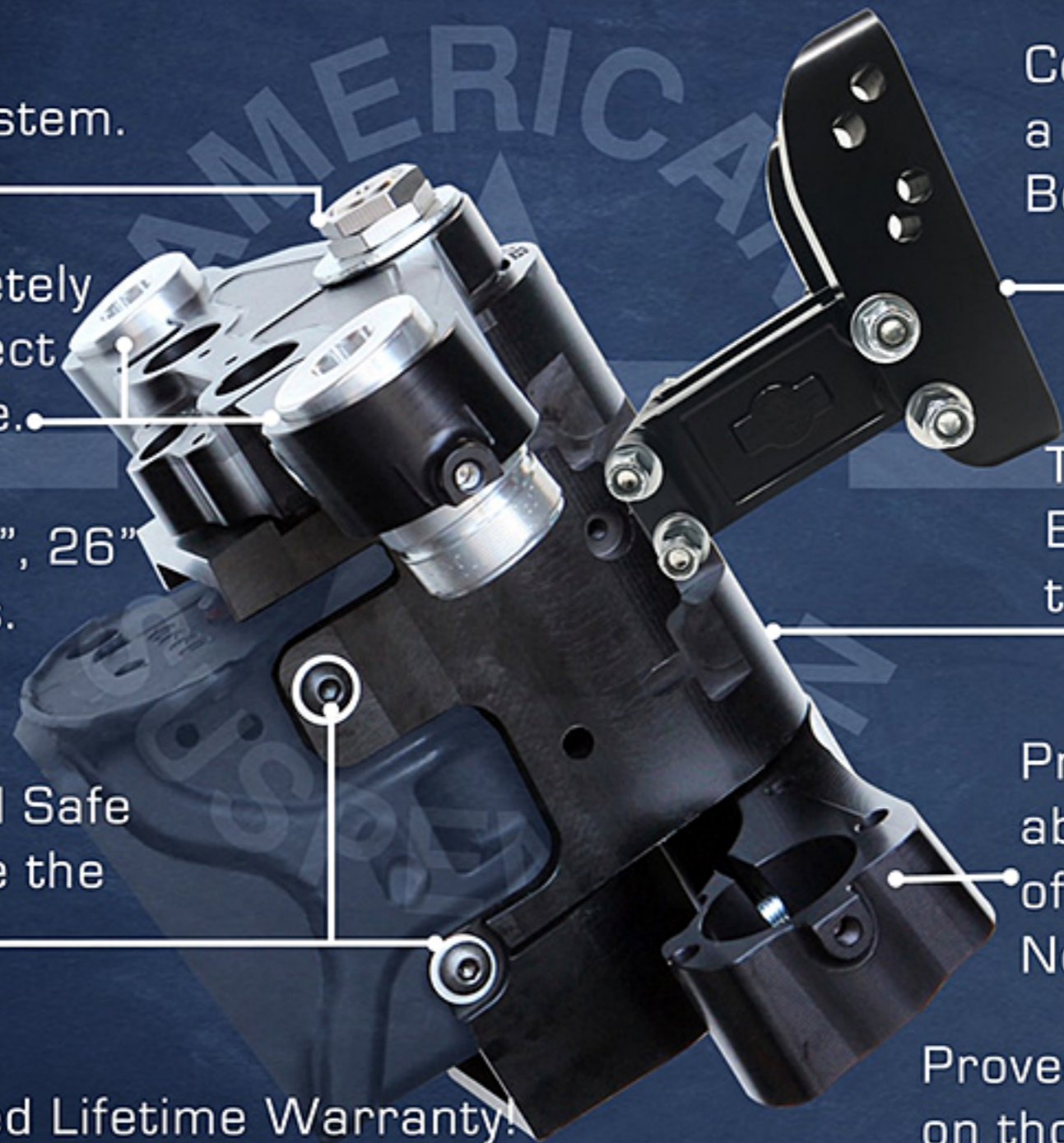
Fully backed by a Limited Lifetime Warranty!

Convert any bike to
a Road Glide with a
Bolt On Fairing Mount.

The ONLY ONE-PIECE
Bolt On available in
the market.

Pressed in Stem gives
absolute best handling
of any available Bolt on
Neck.

Proven by millions of miles,
on thousands of bikes.



Race Track Inspired
Bearing Adjustment System.
Set and Forget.

Fork Extensions completely
fill the top tree to protect
from high speed wobble.

Convert any bike to
a Road Glide with a
Bolt On Fairing Mount.

Multiple Redundant
Fail Safe Systems
provide the SAFEST
Bolt On Neck.

Pressed in Stem gives
absolute best handling
of any available Bolt on
Neck.

The ONLY ONE-PIECE
Bolt On available in
the market.

Learn more about [other motorcycle handlebars & controls](#) by [American Suspension](#) on our website.

