



YAMAHA YZF R6

SLIP-ON STREET LEGAL EXHAUST SYSTEM WITH CONNICAL SHAPE MUFLER

YAMAHA YZF-R6

SLIP-ON STREET LEGAL EXHAUST SYSTEM WITH CONICAL SHAPE MUFLER

DESCRIPTION

Our sporty and lightweight SLIP-ON systems offer a great balance between price and performance and represent the first step in the exhaust system tuning process. The change will be also visual as our new conical shaped hexagonal muffler perfectly fit the exterior line of the 'sharp-edged' R6 and add a clean racing image.

The muffler outer sleeve is made of titanium which gives a special hi-tech touch in combination with carbon-fiber end cap to our SLIP-ON system. We offer street legal version with titanium valve and open system for race track use only.

PERFORMANCE

Measurements of the Akrapovic SLIP-ON system on the YAMAHA YZF R6 (without muffler insert):

Power & Torque: the R6's engine spins more freely with the Akrapovic Slip-On system, which is reflected in the power and torque curves. The amount of increased power expands as you go up the rpm range, so that at 14560 rpm the rear wheel puts out 112.9HP. Max. increased power of 1.2 HP was measured at a screaming 14580 rpm.



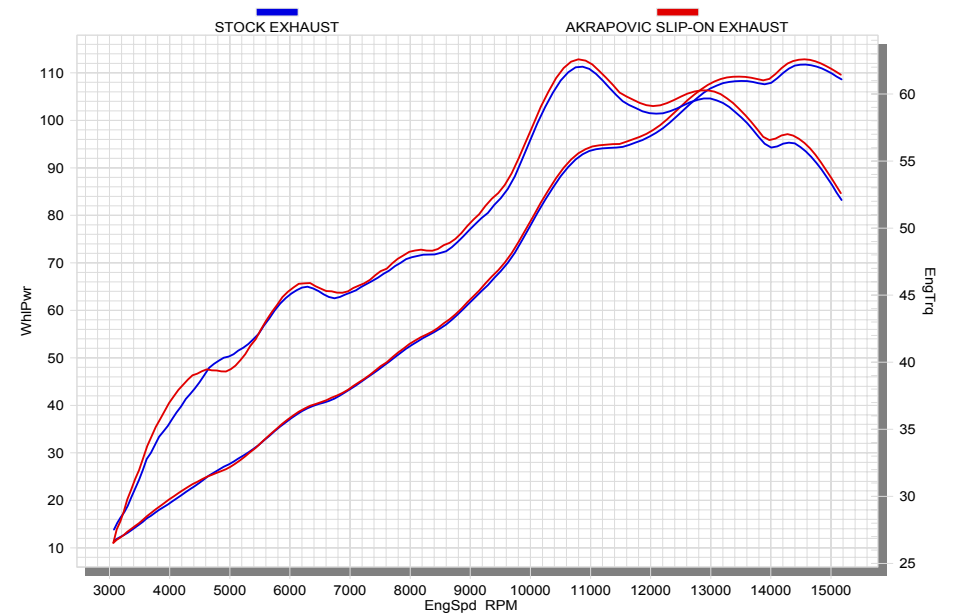
PERFORMANCE			
	stock	AKRAPOVIC	max. increased power
max. rear wheel power HP / rpm (measured on SuperFlow Cyle Dyn)	111.7 / 10870	112.9 / 14560	1.2 / 14580

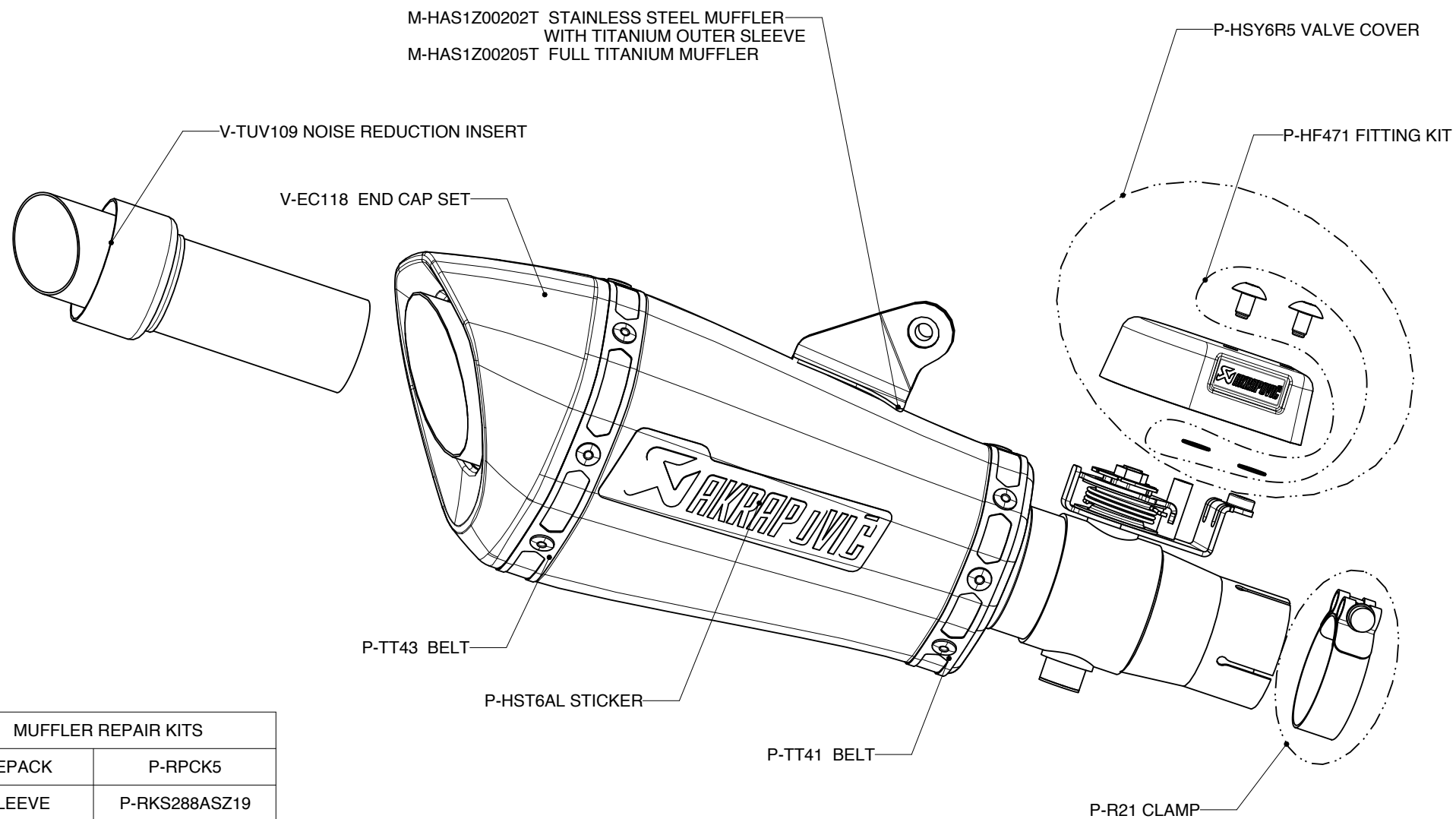
ADDITIONAL DATA					
weight comparison (kg)	stock	AKRAPOVIC		difference	
	2.03	SO open	SO street legal	stock – SO open	stock – SO street legal
		0.95	1.25	1.08	0.78

noise measurements (dB / rpm)	stock	AKRAPOVIC
		98 / 7250
legal for street use	YES	

Technical specifications of Akrapovic exhaust systems and related products subject to change without notice.

Product code: S-Y6SO9-HASZ, S-Y6SO9T-HASZ street legal

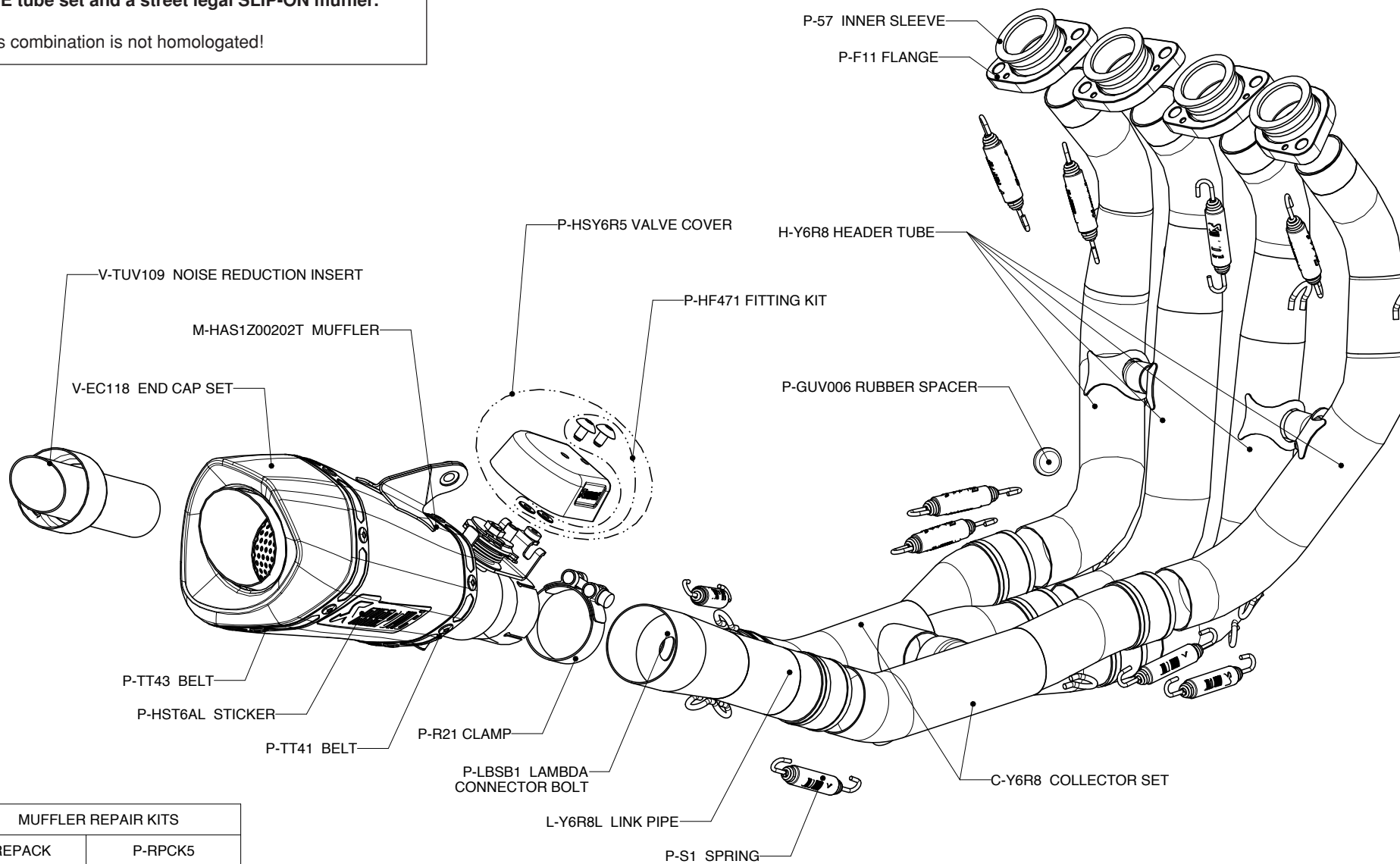




MUFFLER REPAIR KITS	
REPACK	P-RPCK5
SLEEVE	P-RKS288ASZ19

RACING LINE tube set and a street legal SLIP-ON muffler.

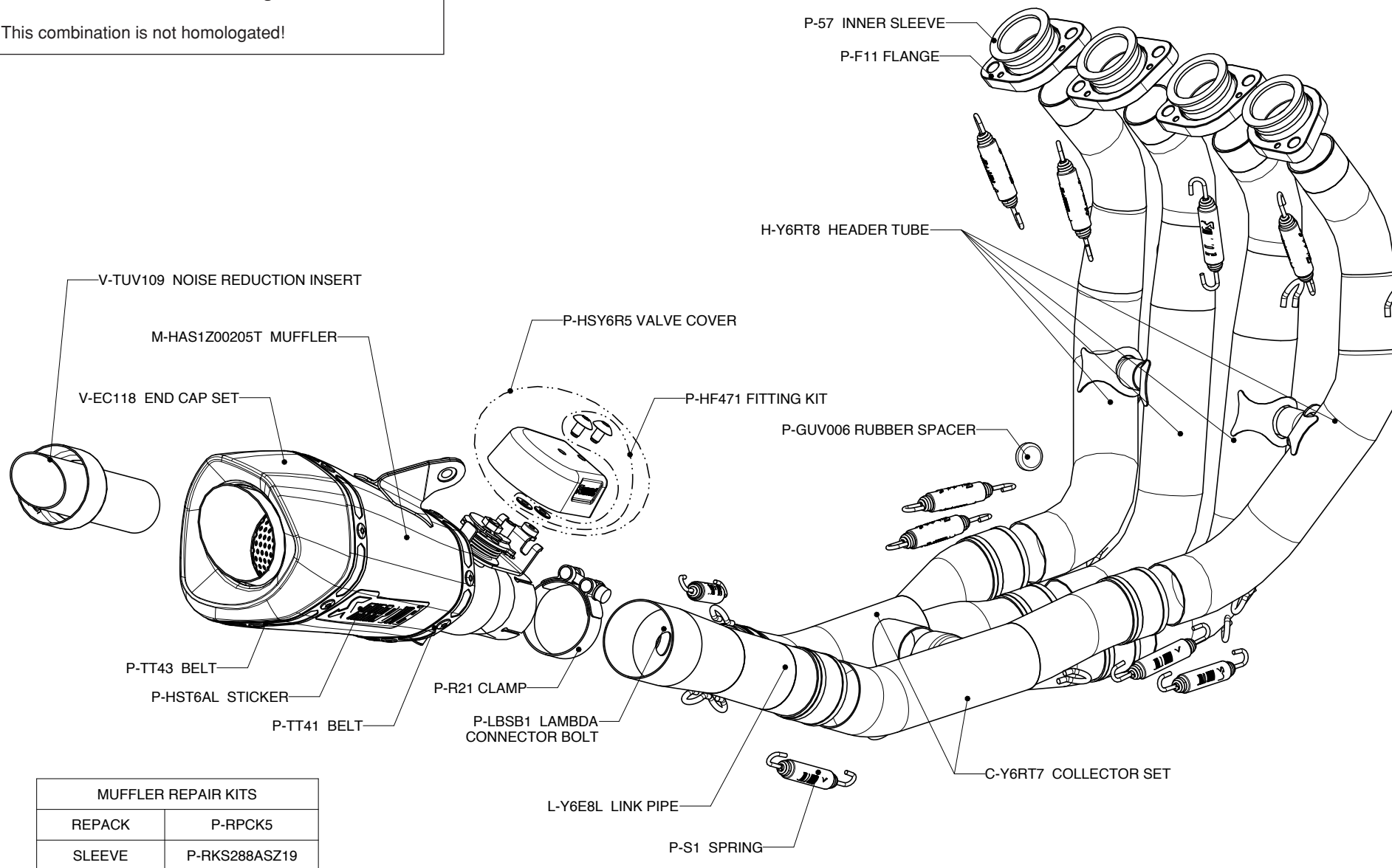
Warning! This combination is not homologated!



MUFFLER REPAIR KITS	
REPACK	P-RPCK5
SLEEVE	P-RKS288ASZ19

EVOLUTION LINE tube set and a street legal SLIP-ON muffler.

Warning! This combination is not homologated!



MUFFLER REPAIR KITS	
REPACK	P-RPCK5
SLEEVE	P-RKS288ASZ19