

Installation instructions:

AKRAPOVIC SLIP-ON, SLIP-ON STREET LEGAL & SLIP-ON SP SERIES EXHAUST SYSTEM for the YAMAHA YZF R1 (2004-2006)

Congratulations on purchasing an Akrapovic exhaust system. Please read these installation instructions carefully. If you have any trouble installing the system please contact your authorized dealer!

IMPORTANT INFORMATION

Exclusion of Certain Liability

1. The manufacturer, importer or dealer shall not be liable for any incidental damage including personal injury or any other damages caused by improper installation or operation of the Akrapovic exhaust system. When installing the Akrapovic exhaust system be careful that the exhaust system does not touch other parts sensitive to high temperature.
2. Akrapovic makes no representation or warranties with regard to damage caused by the improper installation, use and maintenance of the Akrapovic exhaust system. The warranty is limited to defects recognized by our technical department and to normal use, and excludes items subject to normal wear (gaskets and damping wool). The guarantee is void in case of accident, modification, improper or competition use.
3. Do not attempt to install the Akrapovic exhaust system on a motorcycle for which it was not made or tested by Akrapovic.
4. When the exhaust system gets very hot during operation, be careful not to burn yourself on the exhaust system or parts which are in direct contact with it, even when the motor is not running. Also protect other people, especially children, from the injuries mentioned above.
5. In some cases Akrapovic exhaust system kits contain chemical products (ceramic anti-seizing grease; bolt sealant). Handle with care, do not inhale or swallow. Avoid excessive contact with skin, eyes or mucous membranes. Keep out of reach of children.
6. Technical specifications of Akrapovic exhaust systems and related products subject to change without notice.

Trademarks

The Akrapovic Exhaust System Technology logo is a registered trademark of Akrapovic d.å.

Symbols

The following symbols are used throughout these installation instructions:

! CAUTION OR WARNING

 INSTALLATION TIP

INSTALLATION INSTRUCTIONS



BEFORE INSTALLING CHECK SCHEMATIC OF THE EXHAUST SYSTEM!



IF ANY ITEMS IN THE AKRAPOVIC EXHAUST SYSTEM PACKAGE ARE MISSING PLEASE CONTACT YOUR AUTHORIZED DEALER. KEEP THE SCHEMATIC FOR FUTURE REFERENCE.



THESE INSTALLATION INSTRUCTIONS MUST BE READ CAREFULLY IN ORDER TO ENSURE PROPER INSTALLATION AND OPERATION OF THE AKRAPOVIC EXHAUST SYSTEM.



THE EXHAUST SYSTEM CAN BE EXTREMELY HOT. ALLOW THE MOTORCYCLE TO COOL DOWN BEFORE BEGINNING INSTALLATION.



WE ADVISE YOU TO LEAVE INSTALLATION TO A QUALIFIED SERVICEMAN. IMPROPER INSTALLATION MAY RESULT IN A SHORTER LIFETIME OF THE EXHAUST SYSTEM AND/OR DAMAGE TO THE MOTORCYCLE.

REMOVAL OF STOCK EXHAUST SYSTEM

1. put the motorcycle on a side stand, we recommend a racing stand
2. unlock and remove the rear passengers seat (**Figure 1**)
3. unscrew the bolts from the drivers seat and remove the seat (**Figure 2**)
4. unscrew the bolts from the fastback and remove the fastback (**Figure 3, 4, 5**)
5. unscrew the bolts from the plastic cover of the muffler hanging bracket and remove the cover (**Figure 6**)
6. unscrew the bolt from the link pipe metal clamp (muffler – link pipe connection) (**Figure 7**), the bolt from the muffler hanging bracket and remove the muffler; perform the process on both sides of the motorcycle (**Figure 8, 9**)

WITH STOCK Y- LINK PIPE

7. unscrew the bolts from the heat shield and remove the heat shield (**Figure 10, 11**)
8. unscrew the bolt from the Y-link pipe metal clamp (Y-link pipe - collector connection) (**Figure 12**)
9. unscrew the bolt from the rear brake fluid cup bracket and move the cup away; the cup does not have to be disconnected (**Figure 13**)
10. unscrew the bolt from the Y-link pipe metal bracket and remove the Y-link pipe (**Figure 14, 15**)

INSTALLATION OF THE AKRAPOVIC SLIP-ON EXHAUST SYSTEM WITHOUT OPTIONAL Y-LINK PIPE

installing the muffler with link pipe:

1. correctly position the carbon-fiber clamp and slide it onto the muffler. **WARNING:** open the clamp to slightly wider than the diameter of the outer sleeve of the muffler – do not scrape it along the muffler outer sleeve! (**Figure 16**)
2. position the muffler correctly and slide it onto the outlet side of the stock Y-link pipe (Akrapovic muffler and link pipe are welded together) (**Figure 17**)
3. tighten the carbon-fiber clamp onto the stock chassis hanging bracket on the frame (**Figure 18**)
4. tighten the metal clamp on the link pipe (**Figure 19**)
5. perform the process on both sides of the motorcycle
6. make sure the mufflers are not touching other parts of the motorcycle

INSTALLATION OF THE AKRAPOVIC SLIP-ON EXHAUST SYSTEM WITH OPTIONAL Y-LINK PIPE

installing the independent link pipe:

1. make sure the Akrapovic Y-link pipe and metal clamp is correctly oriented; slide the Y-link pipe onto the collector (**Figure 20**)
2. fasten the Y-link pipe to the upper hanging bracket (**Figure 21**)
3. make sure the Y-link pipe is not touching the engine or frame of the motorcycle

installing the muffler:

1. correctly position the carbon-fiber clamp and slide it onto the muffler. **WARNING:** open the clamp to slightly wider than the diameter of the outer sleeve of the muffler – do not scrape it along the muffler outer sleeve! (**Figure 22**)
2. position the muffler correctly and slide it onto the outlet side of the Akrapovic Y-link pipe (**Figure 23**)
3. tighten the carbon-fiber clamp onto the stock chassis hanging bracket on the frame (**Figure 24**)
4. position and tighten the metal clamp (**Figure 25**)
5. perform the process on both sides of the motorcycle
6. make sure the mufflers are not touching other parts of the motorcycle

final installation:

1. tighten the bolts on all of the brackets and clamps to which the exhaust system and the other dismantled parts of the motorcycle are attached (**Figure 26, 27, 28, 29**)
2. reattach the fastback and both seats
3. clean grease spots:
 - a. muffler – carbon-fiber outer sleeve: use a soft dry cloth
 - b. muffler – titanium outer sleeve: use a soft cloth sprayed with a multi-purpose spray lubricant (WD-40 or equivalent)
 - c. muffler – carbon-fiber outlet cap: use a soft dry cloth
 - d. titanium link pipes (muffler): use a soft cloth sprayed with a multi-purpose spray lubricant (WD-40 or equivalent)
 - e. stainless steel Y-link pipe: use a soft cloth sprayed with a contact cleaner, then wipe with a soft dry cloth

Cleaning will prevent spots from burning onto the surface. Do not use aggressive chemical cleaners, because they can damage the sticker.

4. replace all of the dismantled stock parts and cowlings in the reverse order from the order in which they were removed
5. position of the installed Akrapovic Slip-on street legal or Slip-on SP series system (**Figure 30**)

Check the operation of the brakes and suspension. Make sure all the bolts are sufficiently tightened. In case the exhaust system touches the cowling or other parts repeat the adjustment of the exhaust system or contact your authorized dealer.

! IT IS NORMAL IF WHITE SMOKE COMES OUT OF THE MUFFLER ON FIRST OPERATION.

! DO NOT STAND BEHIND THE MUFFLER ON FIRST OPERATION.

MAINTENANCE OF THE AKRAPOVIC EXHAUST SYSTEM

1. Clean the titanium muffler outer sleeve with a multi-purpose spray lubricant (WD-40 or equivalent) and carbon fiber outer sleeve with soft and dry cloth. Do not use aggressive chemical cleaners, because they can damage the sticker. A change in the color of the exhaust system is normal due to the high temperatures.
2. The wearing out of the muffler silencing material depends on the type of the motor and riding style. Contact your dealer/serviceman if visible changes appear on muffler's outer sleeve or the noise level is increased.
3. Periodically ensure that all the bolts and springs are sufficiently tight.

Photos:



Figure 1



Figure 2



Figure 3



Figure 4



Figure 5



Figure 6



Figure 7



Figure 8



Figure 9



Figure 10



Figure 11



Figure 12



Figure 13



Figure 14



Figure 15

INSTALLATION OF THE AKRAPOVIC SLIP-ON EXHAUST SYSTEM WITHOUT OPTIONAL Y-LINK PIPE



Figure 16



Figure 17



Figure 18



Figure 19

**INSTALLATION OF THE AKRAPOVIC SLIP-ON EXHAUST SYSTEM WITH
OPTIONAL Y-LINK PIPE**



Figure 20



Figure 21



Figure 22



Figure 23



Figure 24



Figure 25



Figure 26



Figure 27



Figure 28



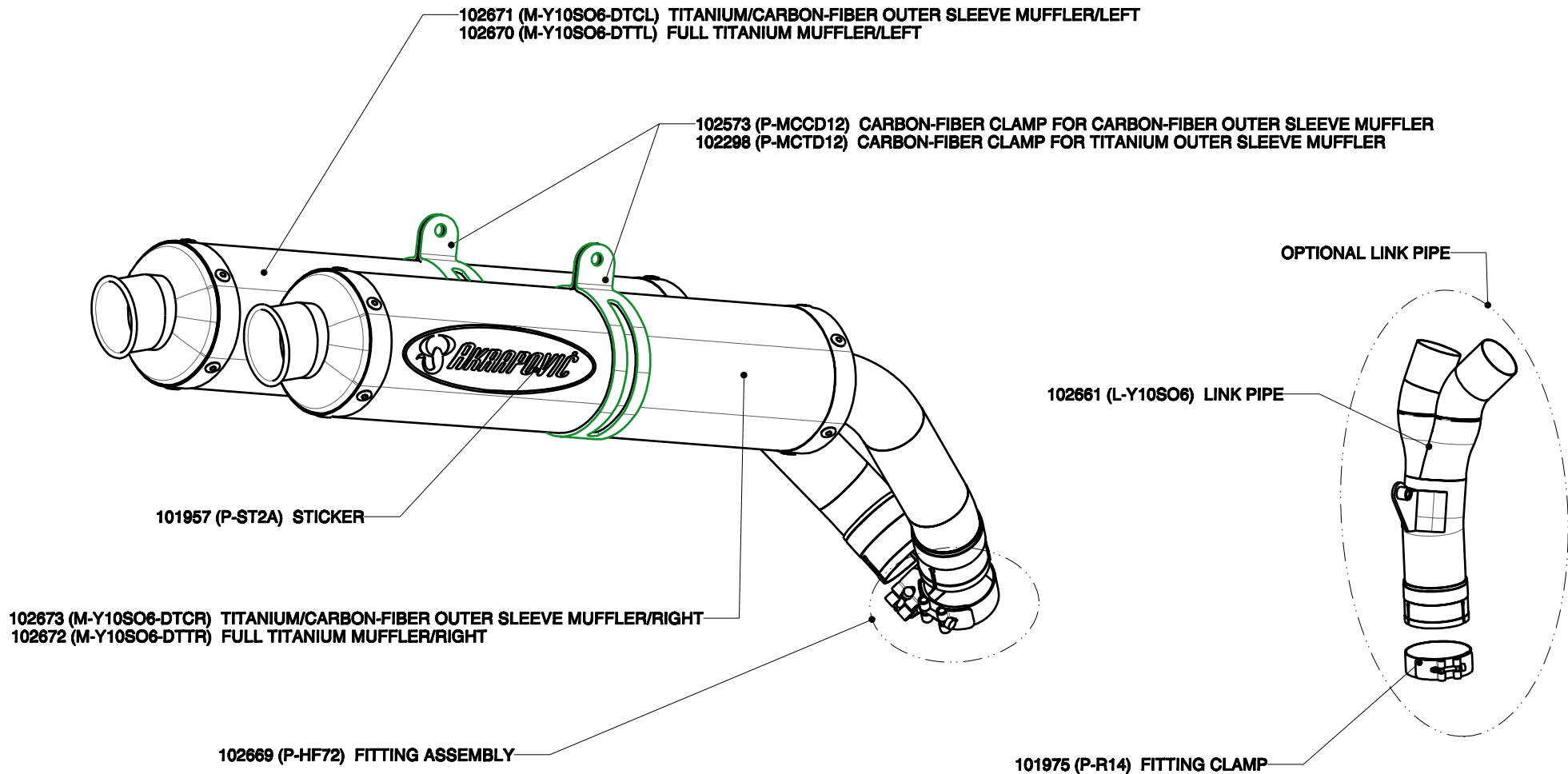
Figure 29



Figure 30

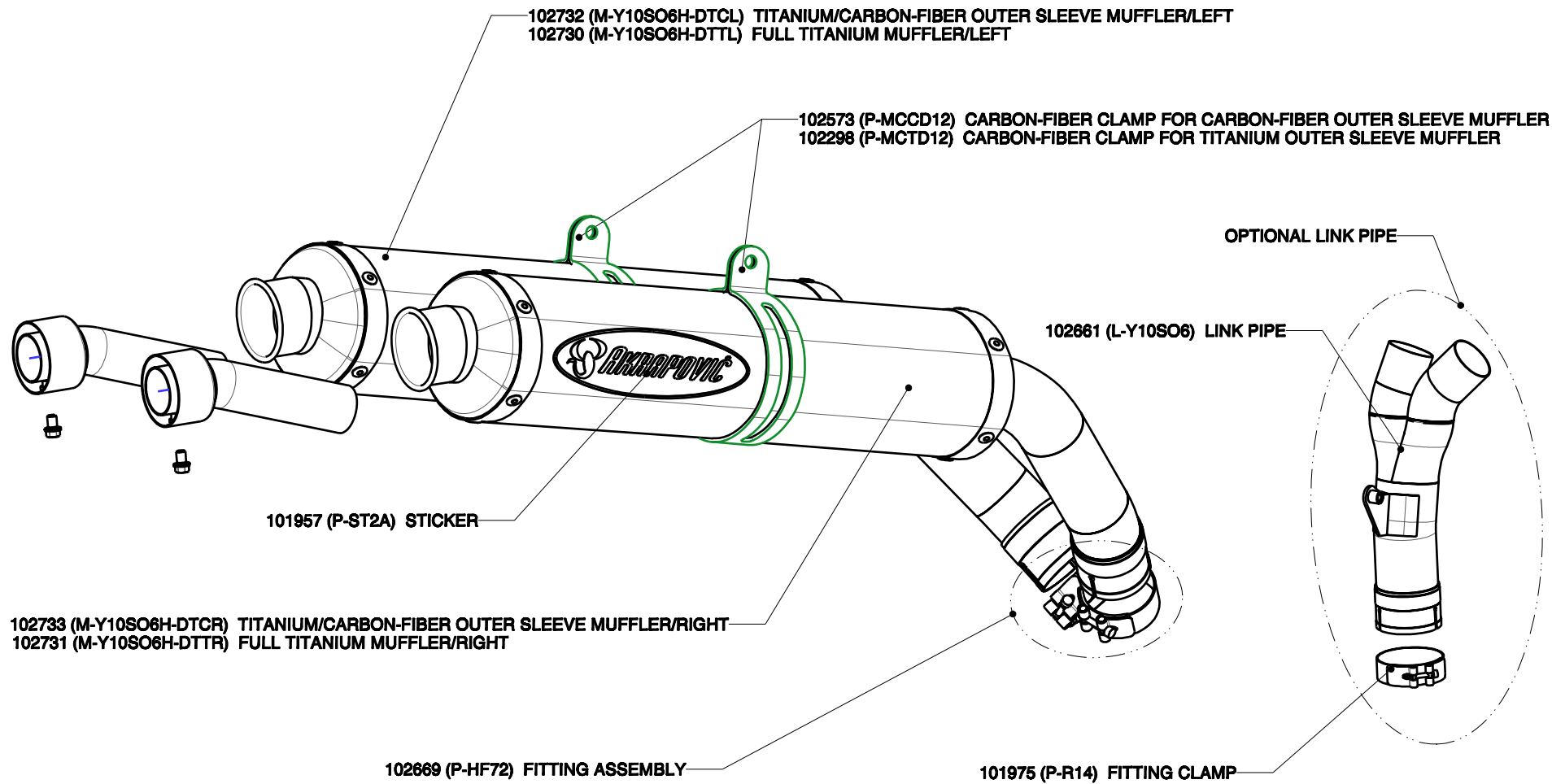
YAMAHA YZF R1 Slip-on exhaust system, model year: 2004-2006

Product code: 102674 (S-Y10SO6-DTC)
102675 (S-Y10SO6-DTT)



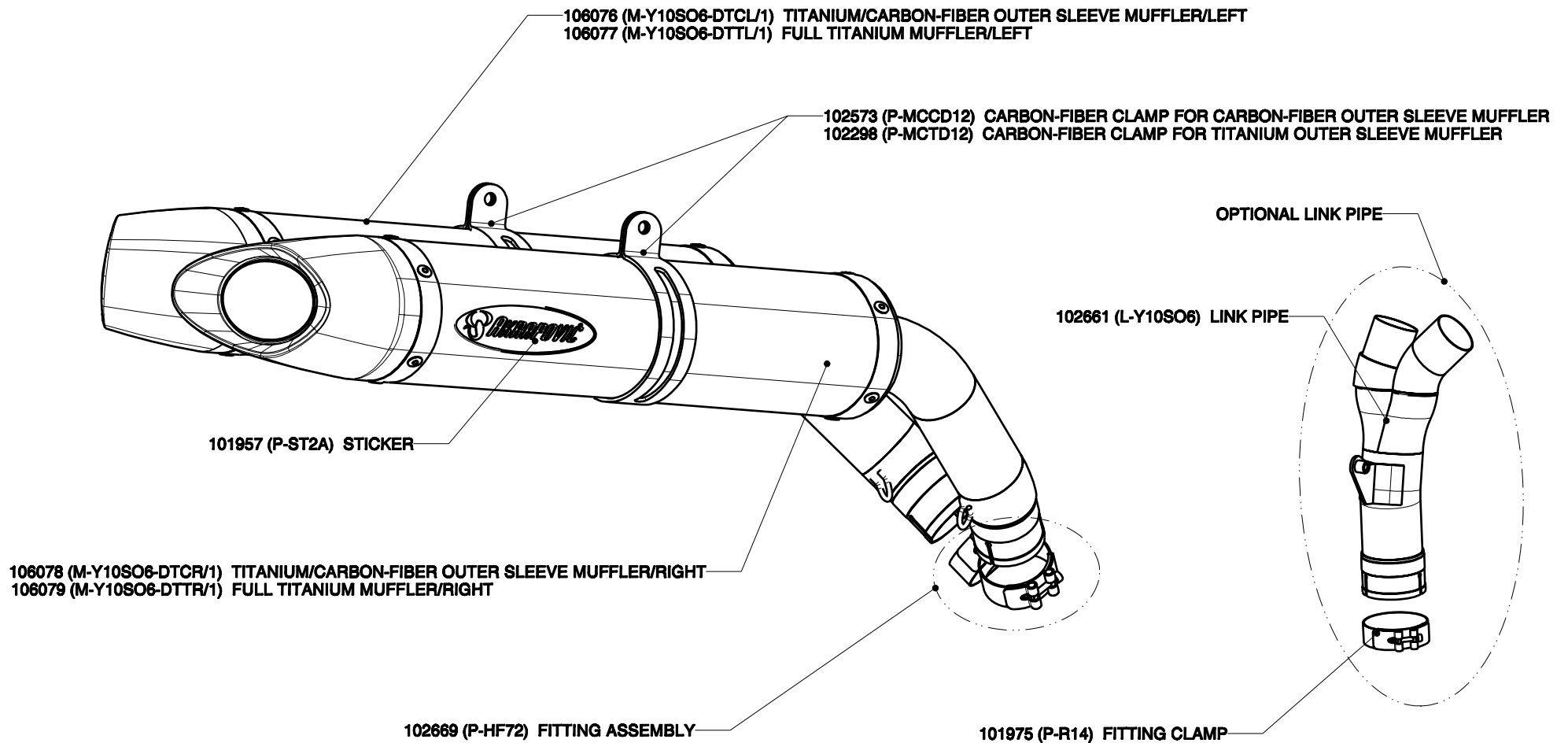
YAMAHA YZF R1 Homologated/Slip-on exhaust system, model year: 2004-2006

Product code: 102734 (S-Y10SO6-HDTC)
102735 (S-Y10SO6-HDTT)



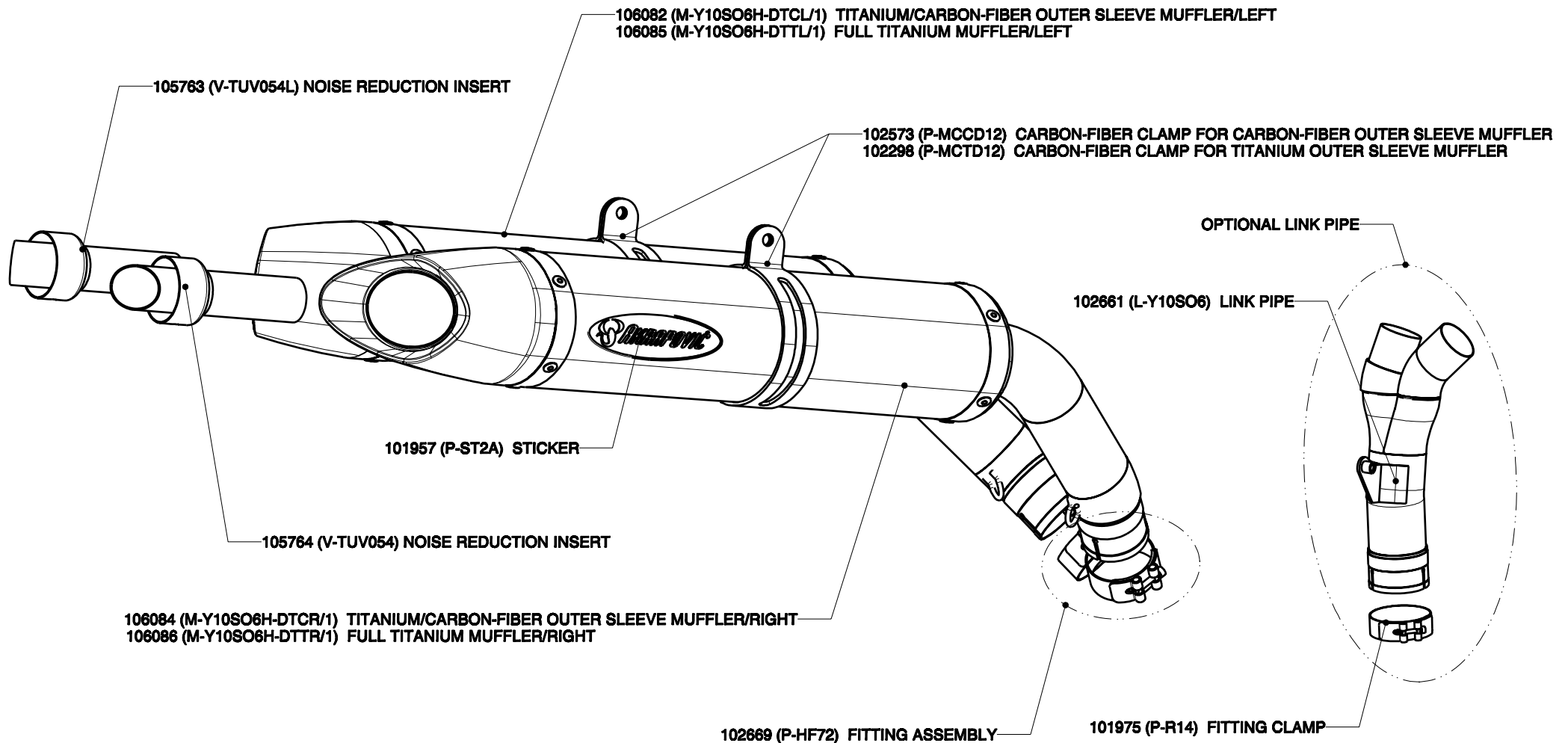
YAMAHA YZF R1 2004-2006 / SLIP ON LINE

Product code: 106074 (S-Y10SO6-DTC/1)
106075 (S-Y10SO6-DTT/1)



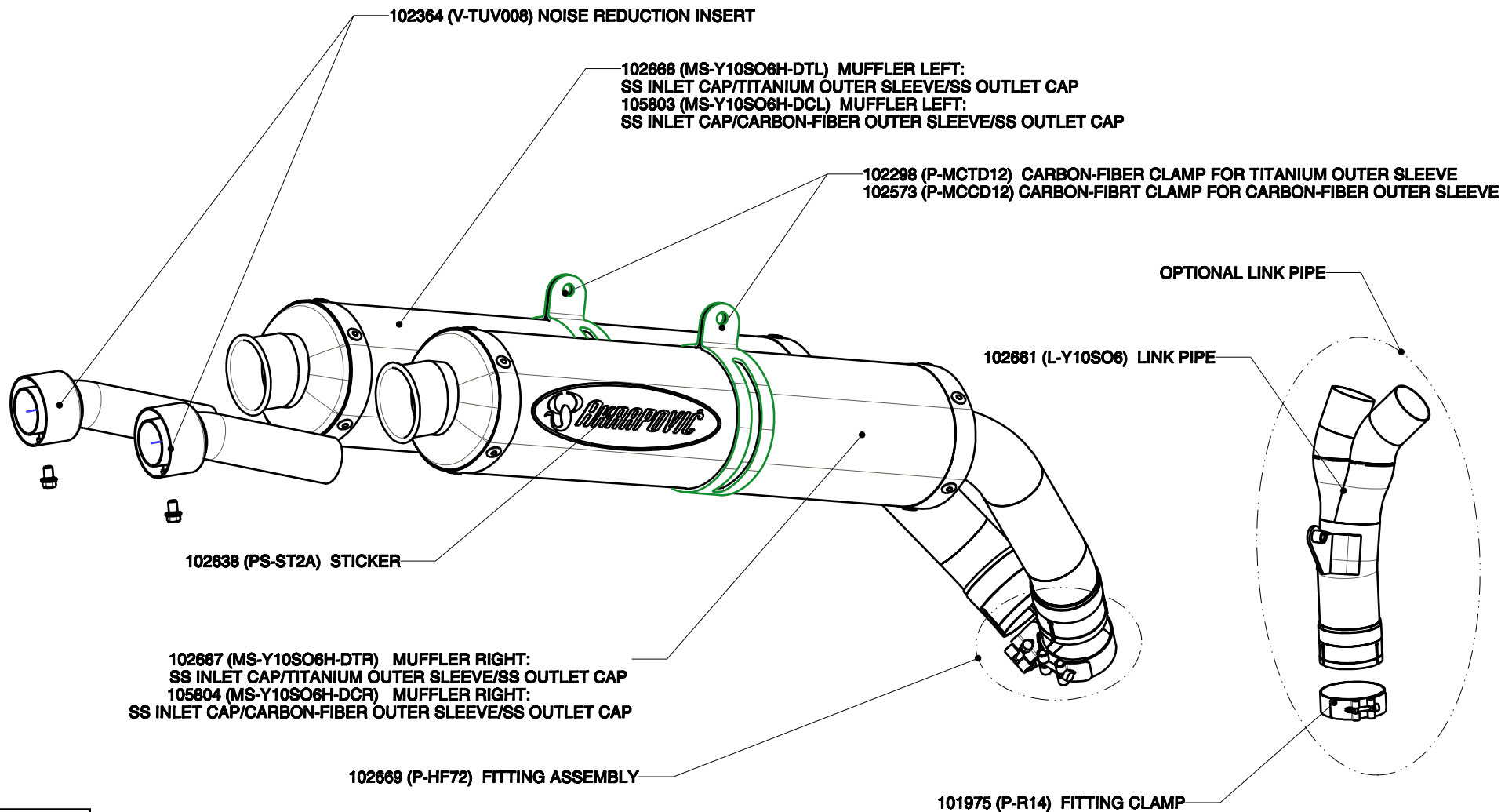
YAMAHA YZF R1 2004-2006 / SLIP ON LINE / STREET LEGAL

Product code: 106080 (S-Y10SO6-HDTC/1)
106081 (S-Y10SO6-HDTT/1)



YAMAHA YZF R1 Slip-on exhaust system, SP Series, model year: 2004-2006

Product code: 102668 (SS-Y10SO6-HDT)
105802 (SS-Y10SO6-HDC)



NAV - 103

Feel the difference with Akrapovic.

Find out more about exhaust parts we have.