



## Installation instructions

Akrapovič Exhaust System  
**Evo Line Kit**  
for the  
**Yamaha YZF-R1**

Congratulations on purchasing the Akrapovič exhaust system.

**Please read this entire installation manual carefully prior to installing and using the Akrapovič exhaust system.**

Akrapovič exhaust system should only be installed by persons skilled in motorcycle exhaust system installation and performance. The instructions provided in this manual should be followed to ensure proper installation and safe use of the Akrapovič exhaust system. Akrapovič and/or its partners shall not be held liable for any damage or personal injury (including direct, indirect, or consequential damage) sustained as a result of improper installation of the Akrapovič exhaust system or its use and maintenance contrary to the instructions and warnings contained herein.

If you have any questions regarding the installation and/or proper use of the Akrapovič exhaust system or this manual, please contact your local Akrapovič partner.

## **GENERAL INFORMATION**

Your safety is our number one priority. Please ride your motorcycle responsibly, safely and always obey local traffic rules.

All statements made with regard to the exhaust system's compliance are made in respect of the exhaust system "as is". Any modifications of the Akrapovič exhaust system or its improper installation, use or maintenance that is not in accordance with this Installation manual, may result in severe damage to the exhaust system and/ or engine, as well as personal injury, and may affect the exhaust system's compliance with the legal requirements, such as exhaust system's air and/ or noise emissions (as an example, the motorcycle may not be suitable for use on public roads any longer), as well as warranty coverage.

The exhaust system may only be used in accordance with relevant laws and regulations, including state and federal, where applicable.

Damage caused by improper installation, use and maintenance of the Akrapovič exhaust system is not covered by the Akrapovič warranty. Please refer to the enclosed warranty with regard to the terms of our warranty.

Technical specifications of Akrapovič exhaust systems and related products are subject to change without notice.

## **COPYRIGHT AND OTHER RIGHTS NOTICE**

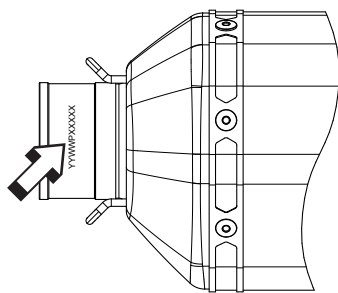
The Akrapovič trademark, including corporate logos and emblems, are subject to copyright as well as trademark rights of Akrapovič, its licensors, or third persons authorizing Akrapovič to use them.

Any reproduction, technical or other manipulation, translation, or other use of the copyright and/or trademark rights contained herein is prohibited without the explicit prior written consent of Akrapovič. The same especially applies to the entire contents of this manual and/or any of its parts, including but not limited to technical specifications, instructions, graphs, photographs, and so on included in this manual.

## SAFETY AND COMPLIANCE WARNING, PLEASE READ CAREFULLY

**BEFORE REMOVING THE STOCK EXHAUST SYSTEM AND BEGINNING THE INSTALLATION OF YOUR NEW AKRAPOVIČ EXHAUST, PLEASE MAKE SURE THAT ALL ITEMS LISTED BELOW ARE VERIFIED:**

- THIS MANUAL IS SPECIFIC TO THE MOTORCYCLE INDICATED ON THE COVER PAGE, FOR WHICH IT IS DESIGNED. INSTALLATION PROCEDURES VARY DEPENDING ON THE TYPE OF MOTORCYCLE. PLEASE VERIFY THAT THE AKRAPOVIČ **EXHAUST SYSTEM AND THIS INSTALLATION MANUAL CORRESPOND TO THE TYPE OF YOUR MOTORCYCLE.**
- THE EXHAUST SYSTEM CAN GET EXTREMELY HOT DURING AND AFTER IT IS USED. MAKE SURE NOT TO TOUCH THE EXHAUST SYSTEM UNTIL IT IS COMPLETELY COOL. **ALLOW THE EXHAUST AND ENGINE TO COOL DOWN BEFORE BEGINNING INSTALLATION OR ANY OTHER WORK ON THE EXHAUST SYSTEM.**
- MAKE SURE THE MOTORCYCLE IS **SECURELY POSITIONED TO PREVENT TIPPING OVER** AND DAMAGE TO YOURSELF AND OTHERS, OR THE MOTORCYCLE.
- PLEASE CHECK THE PARTS YOU RECEIVED AGAINST THE PARTS LIST AVAILABLE ON OUR WEBSITE. MAKE SURE THAT YOU HAVE **ALL THE PARTS NECESSARY FOR THE INSTALLATION** OF YOUR NEW AKRAPOVIČ EXHAUST SYSTEM. IF ANY OF THE PARTS IS MISSING, PLEASE DO NOT PROCEED WITH UNINSTALLING YOUR STOCK EXHAUST SYSTEM/ INSTALLING THE AKRAPOVIČ EXHAUST SYSTEM AND CONTACT THE RETAILER WHERE YOU PURCHASED THE AKRAPOVIČ EXHAUST SYSTEM.
- ALWAYS **SECURE YOUR MOTORCYCLE'S GROUND CLEARANCE.** FOR ADVANCED USERS, WE RECOMMEND YOU CHECK THE MOTORCYCLE SPRING PRELOAD SETTINGS TO OPTIMIZE GROUND CLEARANCE WHERE POSSIBLE.
- EVERY EXHAUST SYSTEM MUFFLER HAS ITS UNIQUE SERIAL NUMBER, WHICH IDENTIFIES THE AUTHENTICITY OF THE PRODUCT. YOU CAN FIND THE SERIAL NUMBER ON THE MUFFLER'S INLET PIPE. PLEASE REFER TO THE PICTURE BELOW. PLEASE VERIFY THAT YOUR EXHAUST SYSTEM IS AN ORIGINAL AKRAPOVIČ PRODUCT. IF YOU HAVE ANY DOUBTS, PLEASE CONTACT THE RESELLER WHERE YOU PURCHASED THE EXHAUST SYSTEM OR AKRAPOVIČ PARTNERS. THIS MANUAL, ANY CERTIFICATES AND AKRAPOVIČ WARRANTY APPLY TO ORIGINAL PRODUCTS ONLY.



SERIAL NUMBER POSITION

## NOISE AND EMISSION WARNINGS

### General warning

Because of the world-wide distribution of Akrapovič d.d. products, neither Akrapovič d.d. nor any of its subsidiaries make any representation that the products comply with the air and/or noise emissions laws, or labeling laws, of any jurisdiction. The purchasers are entirely responsible for informing themselves of the applicable laws where the products are to be used and to comply with those law.

Although legal compliance of Akrapovič products in a specific country should be determined by the user, you can find some basic guidance on compliance of your Akrapovič exhaust system with various legal requirements on the product-related part of our website. For EC and ECE type approvals, please refer to the certificate enclosed to your product.

### USA WARNING

Various U.S. states and the U.S. federal government have individual laws regulating the use of aftermarket exhaust parts and systems, especially as those parts and systems modify, remove, or replace original equipment catalysts. Please consult the appropriate laws in your area before installing any aftermarket part or system on your vehicle to ensure compliance with all applicable laws. Neither Akrapovic d.d. nor any of their subsidiaries or the sellers of the parts or systems make any representation that any of their parts or systems comply with any such laws.

### CALIFORNIA WARNING

California laws prohibit the use of any aftermarket exhaust part or system that modifies, removes or replaces original equipment catalysts unless the California Air Resources Board has issued an Executive Order regarding such part or system or unless the part or system is exempted by being used only on racing vehicles on closed courses. Neither Akrapovic d.d. nor any of their subsidiaries make any representation that any of their parts or systems has received such an Executive Order or that any of their parts or systems conform with the racing vehicles exemption. The purchasers are entirely responsible for informing themselves of applicable California laws and to comply with those laws.

### GENERAL NOTE

Photographs and other illustrations in this manual are symbolic and are intended to help represent individual steps for proper installation and use, as well as for a general overview. The actual component parts of the Akrapovič exhaust system may not entirely correspond to the photographs and other illustrations.

### SYMBOLS

The following symbols are used throughout these installation instructions:



**TOOLS AND PROTECTIVE EQUIPMENT REQUIRED**



**TIGHTENING TORQUE**



**LUBRICATION**



**HAND TIGHTEN**



**INSTALLATION TIP**



**CAUTION OR IMPORTANT**

#### USE BOLT SEALANT



Apply 3 to 4 small drops of bolt sealant onto the cleaned and degreased threads before tightening the bolts.

**WARNING! Avoid contact with skin, eyes and mucous membranes. Do not inhale fumes. Keep out of reach of children.**

#### USE ANTI-SEIZE LEAD-FREE COPPER PASTE (black tube)



Provides trouble-free and long-lasting protection against seizing, corrosion and rusting of bolts, threaded ends, nuts, joints, etc. Also protects against vibration, wear and impact.

**WARNING! Avoid eye contact. Keep out of reach of children.**

#### USE ANTI-SEIZING GREASE (white tube)



Prevents seizing, corrosion and excessive wear between the titanium components of your exhaust system.

**WARNING! Avoid eye contact. Keep out of reach of children.**

## Tools & equipment



- T-handle 4 mm wrench
- T-handle 5 mm wrench
- T-handle 12 mm wrench
- Socket 10 mm
- Combination 10 mm wrench
- Combination 17 mm wrench
- T-handle 8 mm swiveling hexagon wrench
- Rubber mallet
- Spring puller
- Screwdriver

## PARTS LIST

The following parts should be found in the box:

- Installation Manual
- Homologation certificate/ compliance documents if applicable
- Warranty
- Fitting material
- Muffler and pipes

## REMOVAL OF STOCK EXHAUST SYSTEM:

The process of uninstalling the original exhaust system may vary depending on the existing exhaust system. Please follow the original exhaust system manufacturer's instructions for uninstalling the original exhaust system.

If you for any reason decide otherwise, please note that any information provided in this respect herein should be considered as general information provided for your convenience only. Akrapovič shall not assume any liability or responsibility with regard to uninstalling your existing exhaust system, warranty coverage of such exhaust system or vehicle or their further fitness for use.

**In case your Akrapovič exhaust system may not be used on certain roads or under certain conditions, please keep the stock or other exhaust system that you can use in such circumstances legally.**

## REMOVAL OF STOCK EXHAUST SYSTEM:

1. Put the motorcycle on a central stand. Make sure, that surface is solid and flat.
2. Unscrew marked bolts, unpin marked pins and carefully remove plastic cowlings on both side off the motorcycle (Figure 1, 2, 3).

! **IMPORTANT:** make sure not to scratch or damage any part of the motorcycle during this procedure!



Figure 1

! **IMPORTANT:** make sure not to scratch or damage any part of the motorcycle or exhaust system during this procedure!



Figure 2



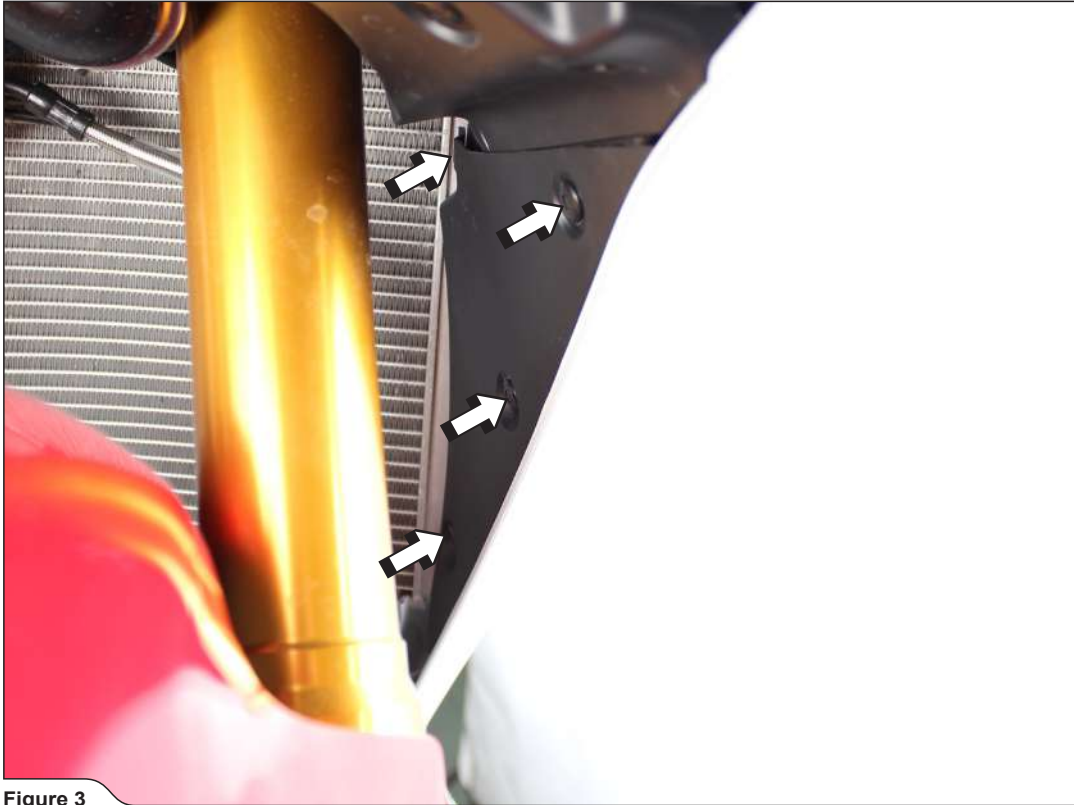


Figure 3

3. Unscrew marked muffler clamp and bracket bolts and remove stock muffler together with bracket off the motorcycle (Figure 4).

! **IMPORTANT:** make sure not to scratch or damage any part of the motorcycle or exhaust system during this procedure!



Figure 4

4. Unscrew marked bolts and remove stock heat-shields (Figure 5).

! **IMPORTANT:** make sure not to scratch or damage any part of the motorcycle or exhaust system during this procedure!



Figure 5

5. Unscrew the marked cables' nuts and remove the cables off the valve (Figure 6).

! **IMPORTANT:** make sure not to scratch or damage any part of the motorcycle or exhaust system during this procedure!



Figure 6



6. Unscrew marked bolts located on the right and left side, under the back side of driver's seat and remove the seat off the motorcycle (**Figure 7**).



Figure 7

7. Unscrew marked bolts and remove plastic battery cover off the motorcycle (**Figure 8**).

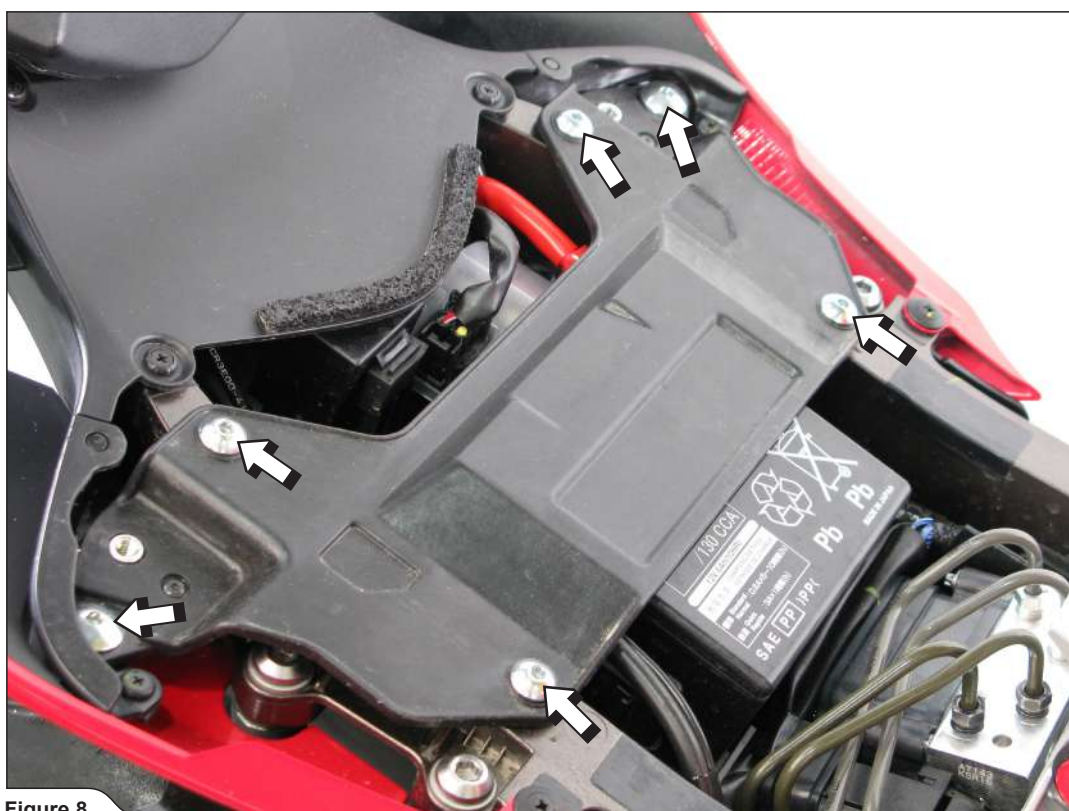


Figure 8

8. Unscrew and unpin marked bolts and carefully remove plastic cover off the motorcycle (Figure 9).  
! **IMPORTANT:** make sure not to damage any part of the motorcycle during this procedure!



Figure 9

9. Unscrew the marked bolt and carefully lift up exhaust valve's servo motor (Figure 10).  
! **IMPORTANT:** make sure not to scratch or damage any part of the motorcycle or exhaust system during this procedure!



Figure 10



10. Unscrew the servo motor's cover, remove the cables and reinstall the cover (Figure 11, 12).

! **IMPORTANT:** be careful not to damage the servo motor during this process!



Figure 11

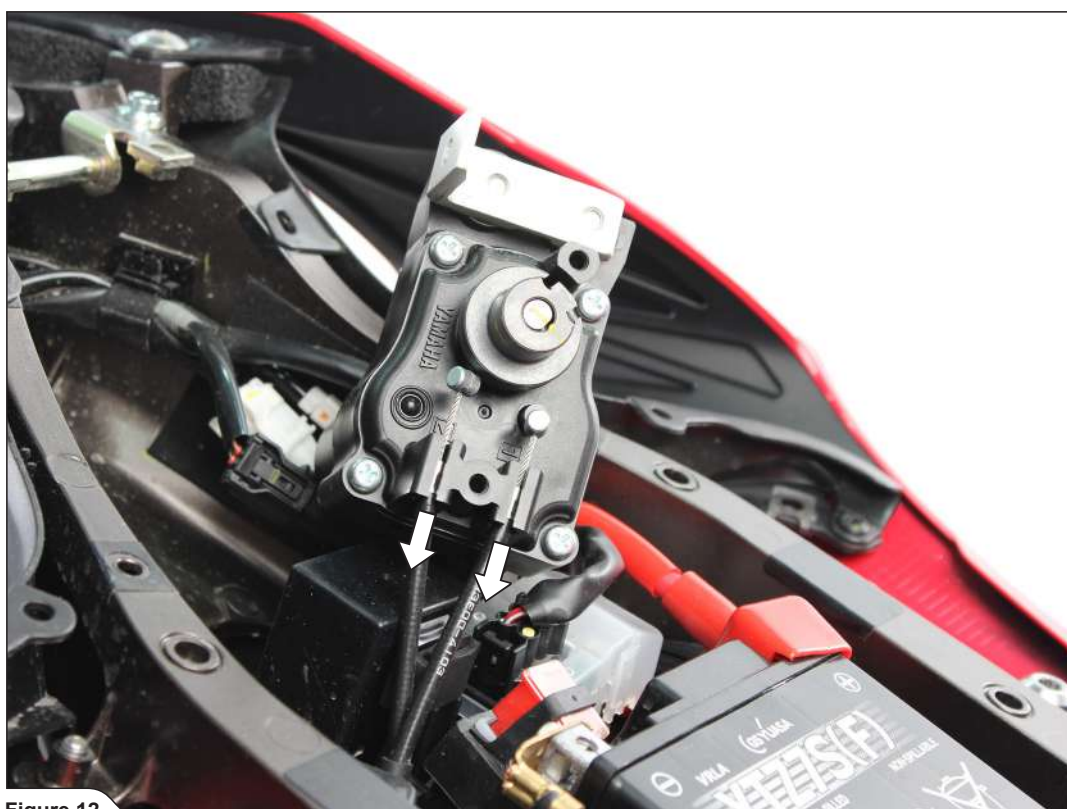


Figure 12

11. Unpin marked protection bracket and pull servo cables off the motorcycle, as shown (Figure 13, 14).  
! **IMPORTANT:** make sure not to damage the motorcycle and servo cables during this process!



Figure 13

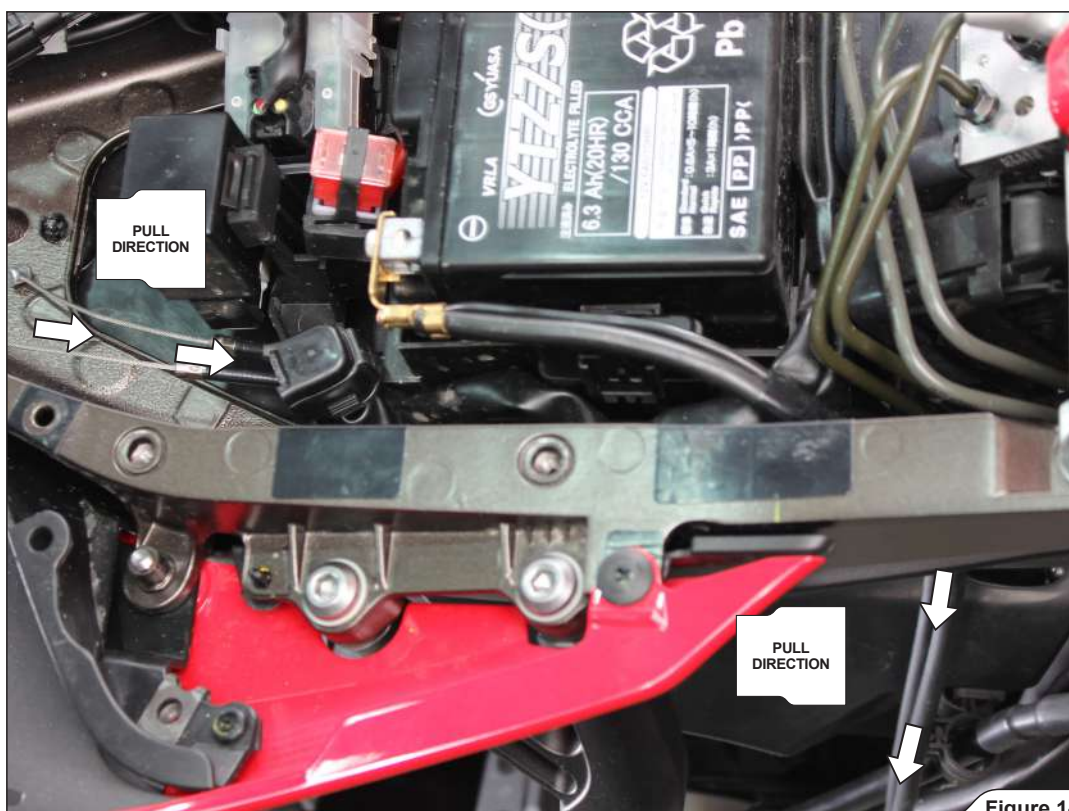


Figure 14



12. Reinstall valve servo motor without cables onto the motorcycle in reverse order from the order in which it was removed (Figure 15, 16).

! **IMPORTANT:** make sure that valve servo motor's electrical connector is not disconnected!



Figure 15

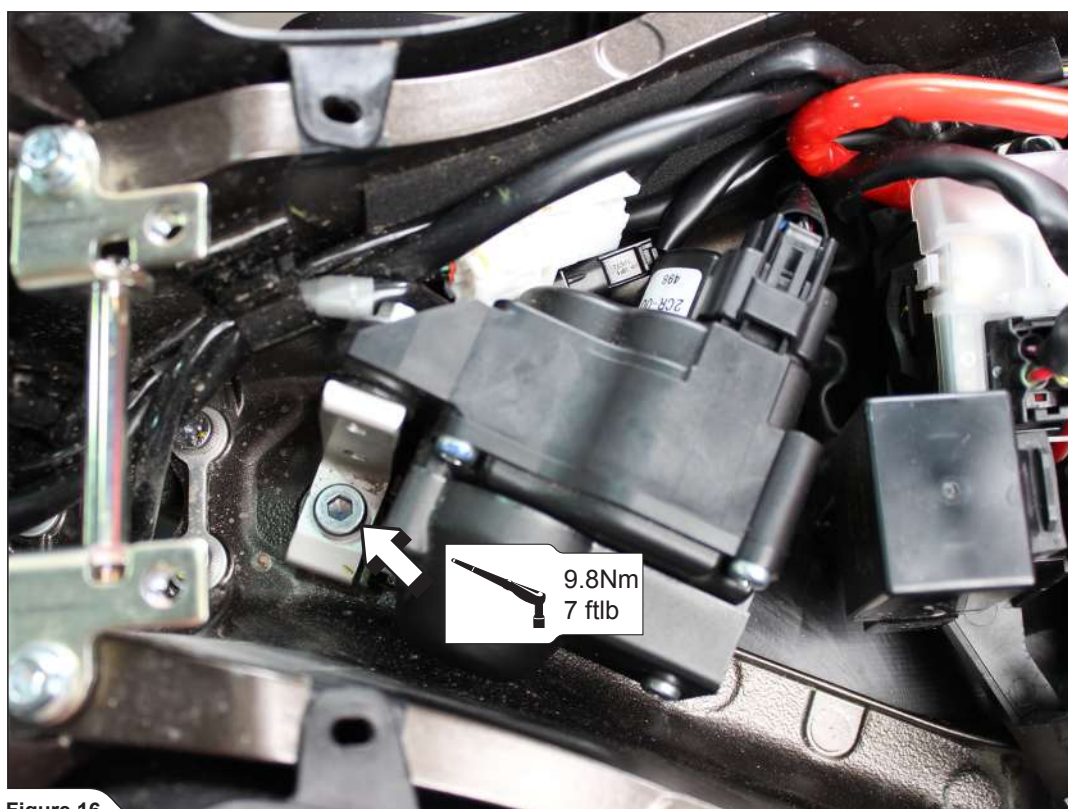


Figure 16

13. Unscrew lambda sensors and connection clamps on both side of the motorcycle.
14. Unscrew marked bracket bolts on both side of the motorcycle and carefully remove stock collector off the motorcycle (Figure 17, 18).

! **IMPORTANT:** make sure not to damage the lambda sensor's electrical lead during this process!

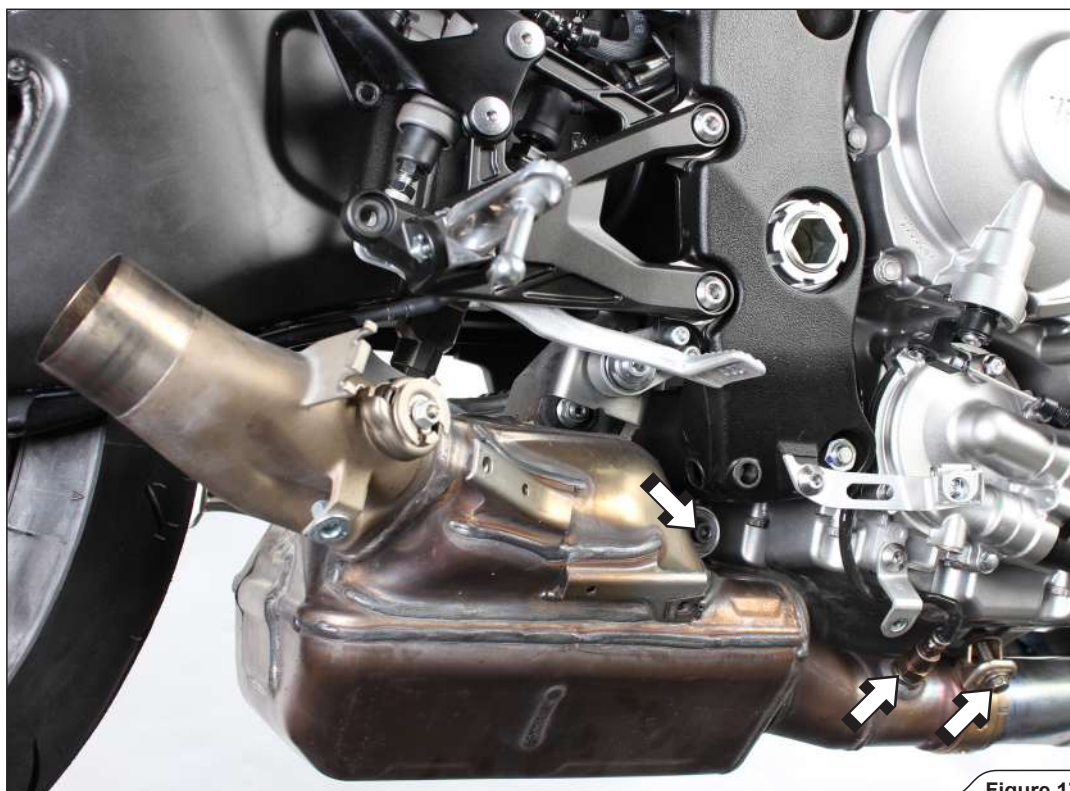


Figure 17



Figure 18



15. Unscrew marked bolts and carefully remove the radiators' bracket off the motorcycle (Figure 19).

! **IMPORTANT:** be careful not to damage any part of the motorcycle during this process!



Figure 19

16. Unscrew header flanges and carefully remove stock headers off the motorcycle (Figure 20).

! **IMPORTANT:** be careful not to damage any part of the motorcycle during this process!

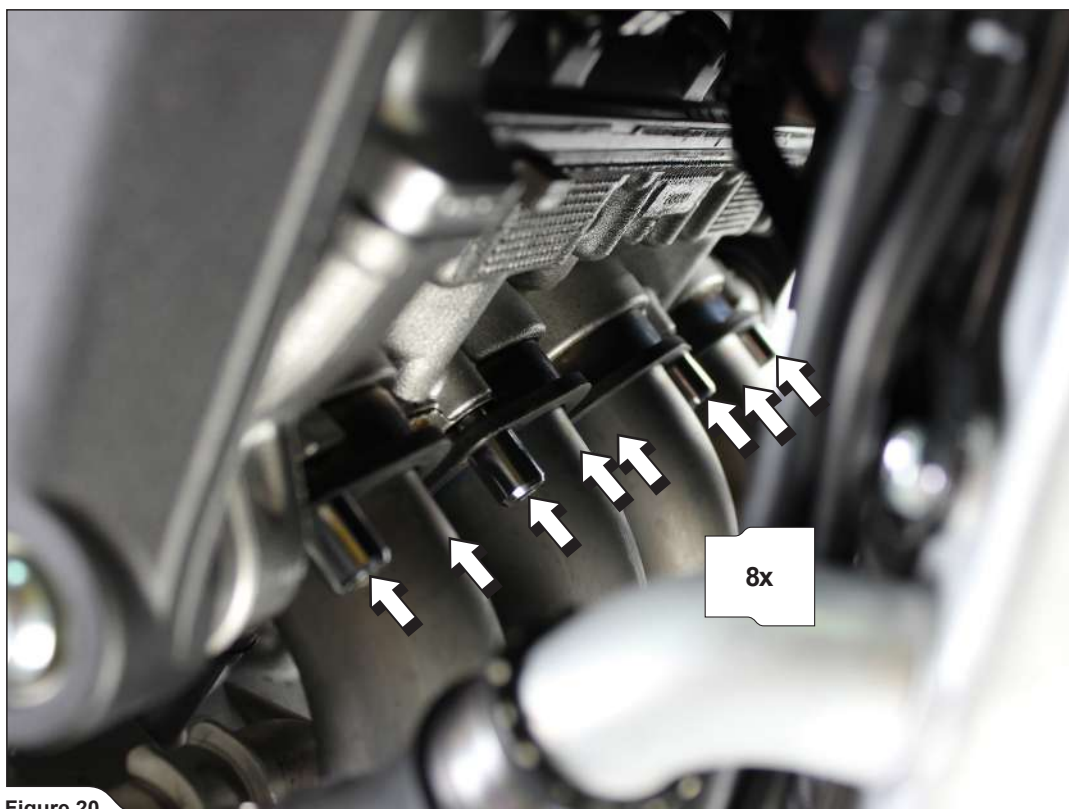


Figure 20

## INSTALLATION OF THE AKRAPOVIČ EXHAUST SYSTEM:

1. Set up and hand tighten the flanges together with the springs and sleeves onto the cylinder head, using stock nuts; make sure you orient the flanges and springs as shown (Figure 21, 22).

**!** IMPORTANT: do not fully tighten the flanges yet!

**✂** INSTALLATION TIP: use new stock exhaust port gaskets.



Figure 21

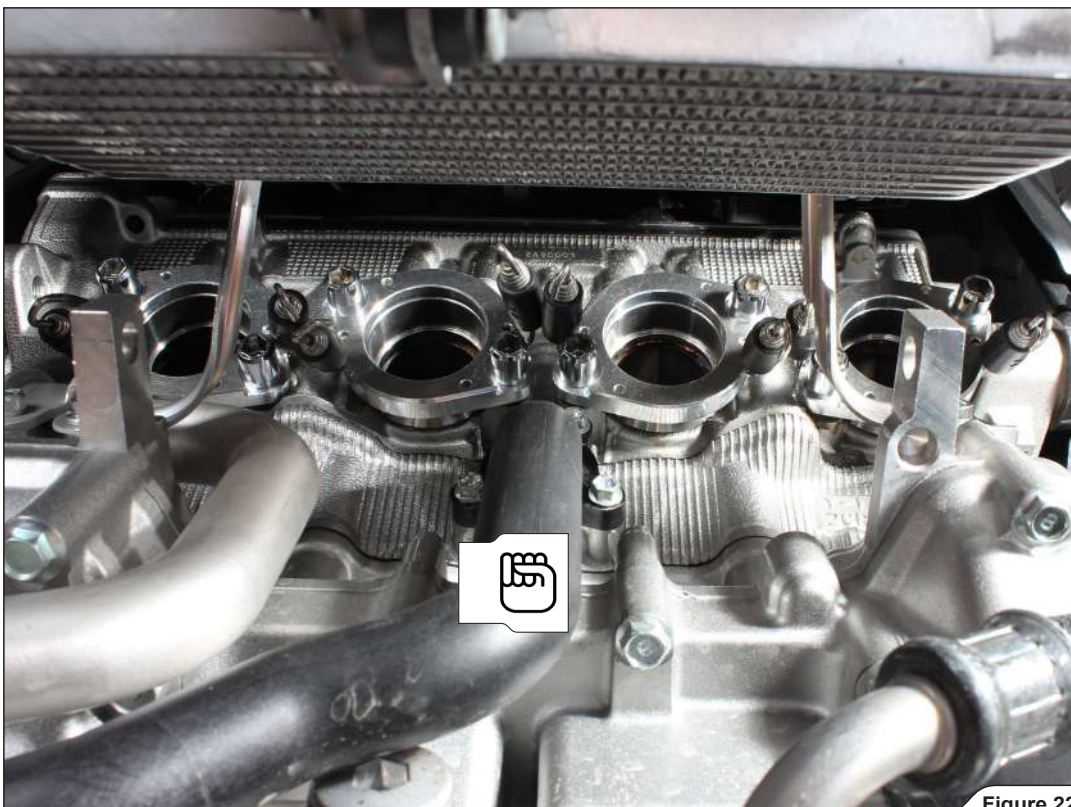


Figure 22



2. Slide the collectors onto the header tubes and attach the springs (Figure 23).

! **IMPORTANT:** make sure, that springs pull the collectors all the way onto the headers – use rubber mallet if necessary to tap the connections into place!

✂ **INSTALLATION TIP:** coat the interior side of the inlet bushes of the titanium collectors with Akrapovič ceramic anti-seizing grease (white tube).



Figure 23

3. Insert the headers into the sleeves, attach the springs, install the link-pipe bracket using nut from Akrapovič installation kit and stock bolt and washer. Attach lambda sensors and tighten the flanges, bracket bolt and both lambda sensors to specified torques (Figure 24, 25, 26).

! **IMPORTANT:** before tightening the nuts, make sure, that springs pull the header tubes all the way into the sleeves – use rubber mallet if necessary to tap the connections into place!

! **IMPORTANT:** be careful not to damage the radiator or any other part of the motorcycle during this process!

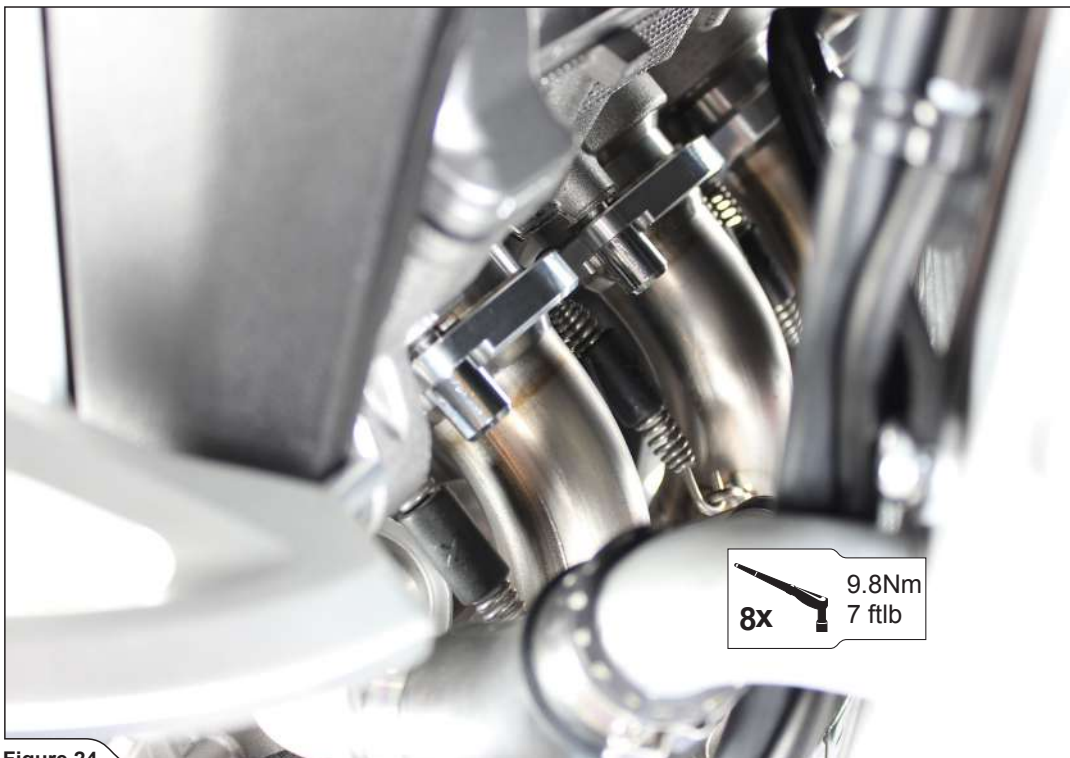
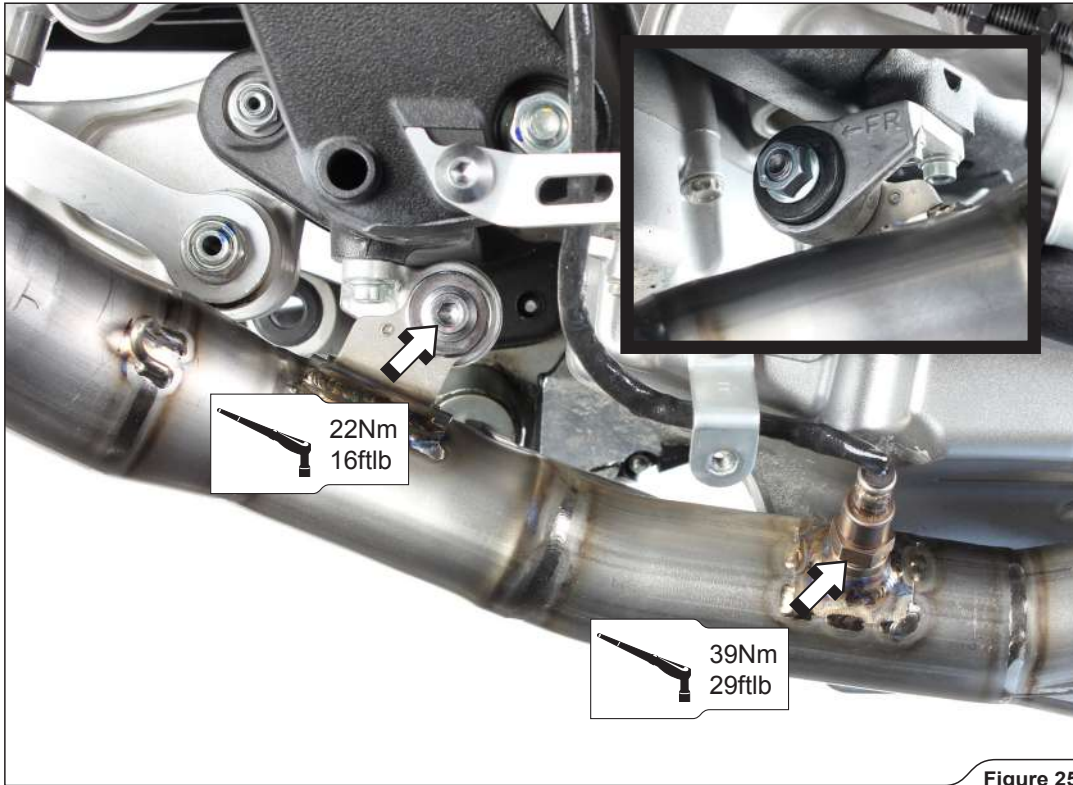
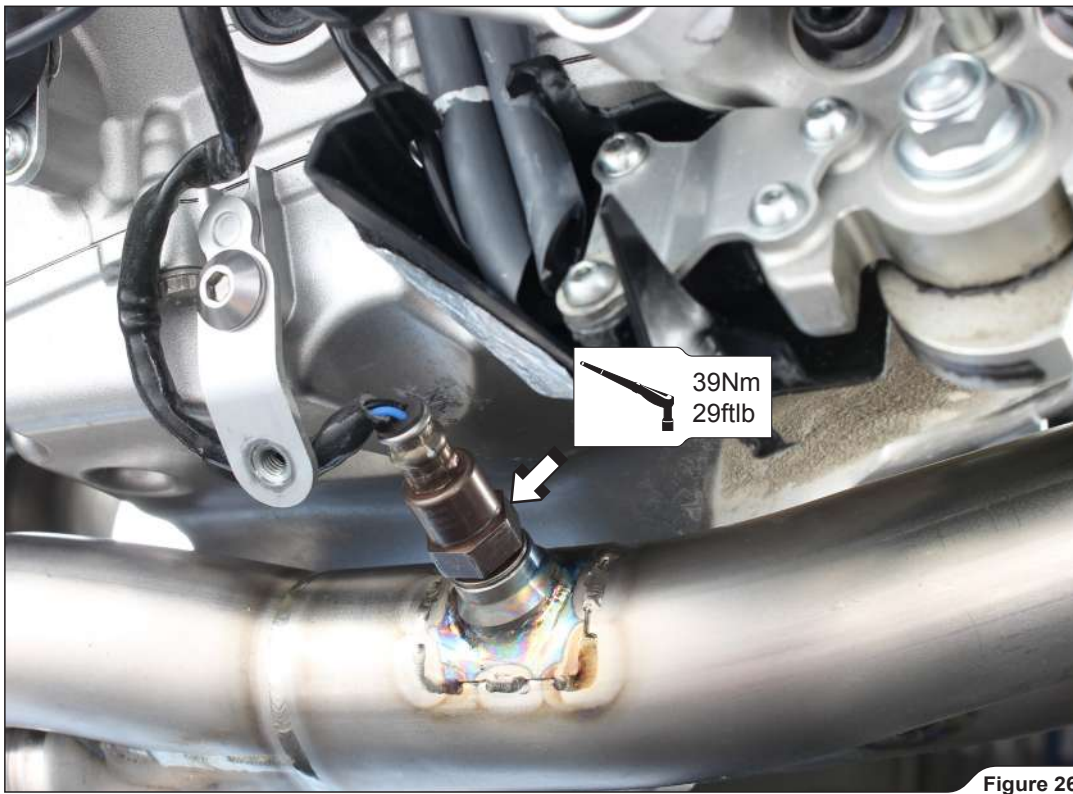


Figure 24

- ! **IMPORTANT:** make sure not to damage the sensors' electrical leads during this procedure!
- ✂ **INSTALLATION TIP:** use ceramic anti-seizing grease on the lambda sensor threads (white tube).



- ! **IMPORTANT:** make sure not to damage the sensors' electrical leads during this procedure!
- ✂ **INSTALLATION TIP:** use ceramic anti-seizing grease on the lambda sensor threads (white tube).





4. Mount Akrapovič muffler bracket onto the motorcycle, as shown and tighten with specified torque (Figure 27).

! **CAUTION:** make sure not to damage yourself or motorcycle using this procedure!

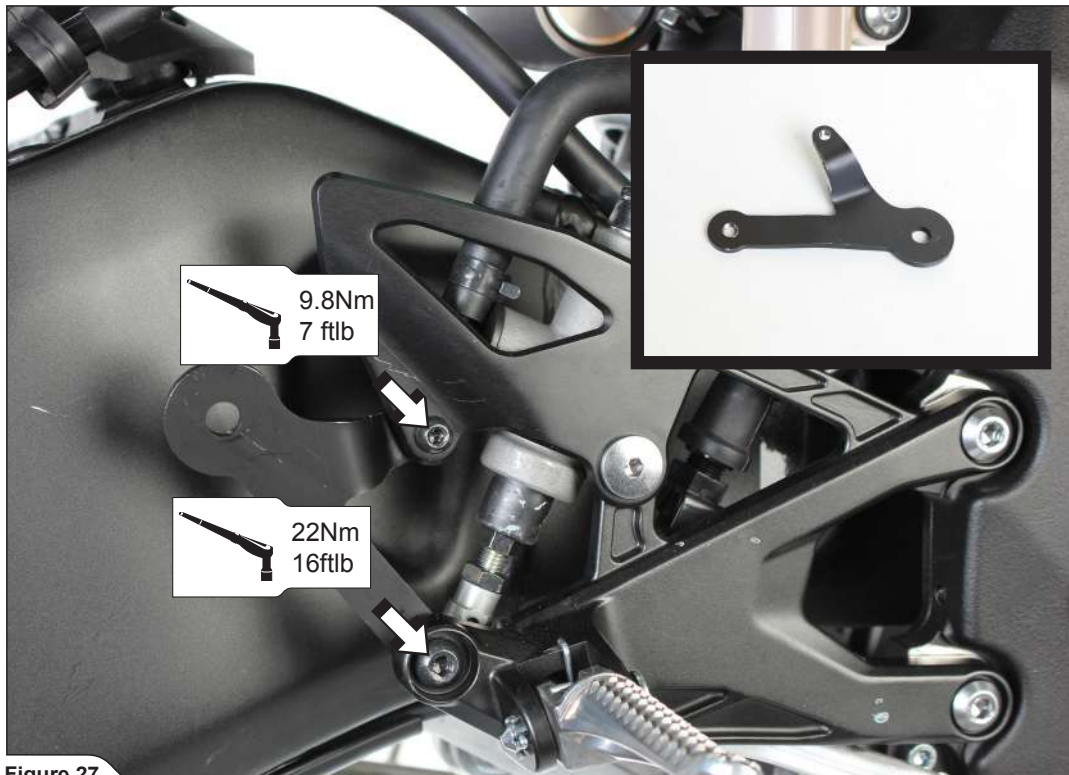


Figure 27

5. Slide the muffler onto the collector, attach the springs and tighten the muffler's bracket, using bolt, washers and nut from Akrapovič installation kit (Figure 28, 29).

✂ **INSTALLATION TIP:** coat the interior side of the titanium muffler's inlet with Akrapovič ceramic anti-seizing grease (white tube).

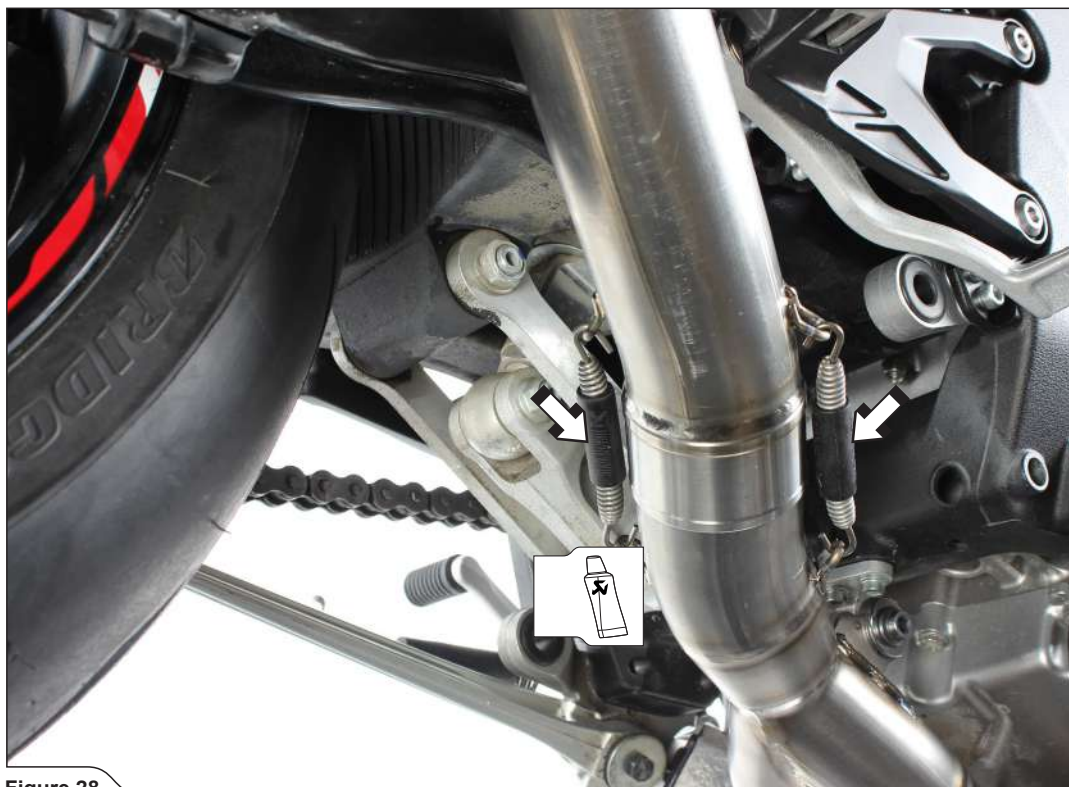


Figure 28

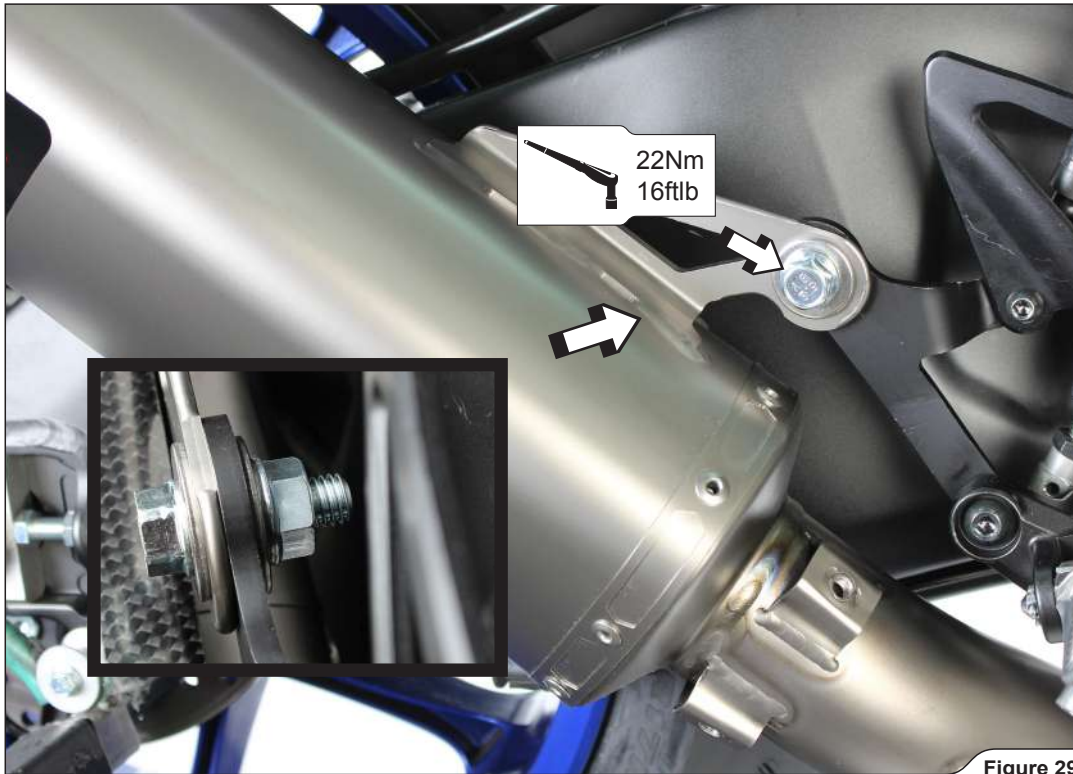


Figure 29

6. Assemble the Akrapovič carbon fiber heat shield onto the muffler, using Akrapovič bolts and heat resistant washers (Figure 30, 31).

**✘** **INSTALLATION TIP:** screw the heat resistant washers onto the bolts; do not try to push them on!

**!** **IMPORTANT:** make sure to place the bigger heat resistant washers between the muffler and carbon fiber heat shield and smaller washers between bolts' heads and heat shield!



Figure 30



! CAUTION: be careful not to injure yourself or damage any part of the motorcycle during this process!

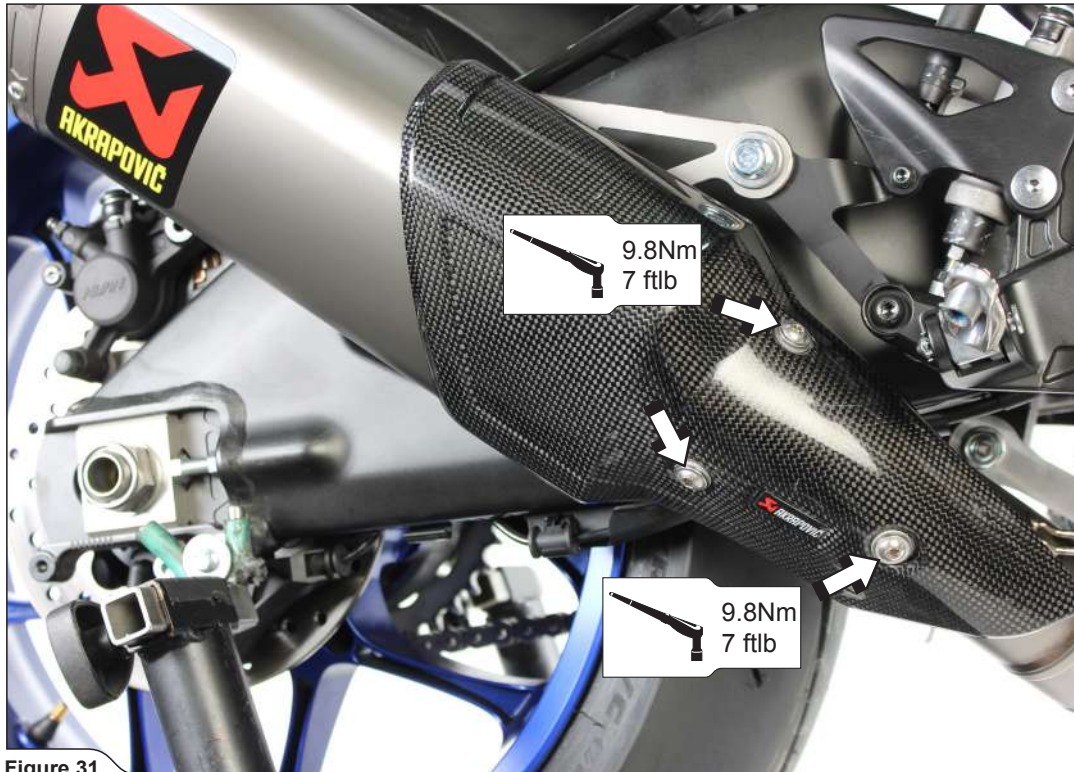


Figure 31

7. Assemble the cowlings in the reverse order from the order in which they were removed.

✘ **INSTALLATION TIP:** check vehicle manufacturer manual for tightening torques!

! **IMPORTANT:** be careful not to damage any part of the motorcycle during this process!

## FINAL INSTALLATION AND MAINTENANCE:

Clean grease spots off all exhaust system surfaces, when installation is finished. Cleaning will prevent spots from burning onto the surface. Do not use aggressive chemical cleaners, because they can damage the surface or sticker.

1. Muffler – titanium outer sleeve: use a soft cloth sprayed with a multi-purpose spray lubricant (WD-40® or equivalent)\*.
2. Muffler – carbon-fiber outer sleeve: use a soft dry cloth sprayed with all purpose foam cleaner, then wipe with a soft dry cloth.
3. Muffler – carbon-fiber outlet cap: use a soft dry cloth sprayed with all purpose foam cleaner, then wipe with a soft dry cloth.
4. Painted mufflers and parts – use a soft cloth sprayed with all purpose foam cleaner, then wipe with a soft dry cloth.
5. Chrome plated mufflers and parts: use a soft cloth sprayed with all purpose foam cleaner, then wipe with a soft dry cloth.
6. Stainless steel pipes: use a soft cloth sprayed with a contact cleaner, then wipe with a soft dry cloth.
7. Titanium pipes: use a soft cloth sprayed with a multi-purpose spray lubricant (WD-40® or equivalent)\*.

\*WD-40® is a trademark of the WD-40 Company.

**Periodically make sure all the bolts and springs are sufficiently tight.**



**IMPORTANT: make sure all the bolts are sufficiently tightened. In case the exhaust system touches the cowling or other parts repeat the adjustment of the exhaust system or contact your authorized dealer!**



**CAUTION: after running engine for 30 minutes, retighten the bolts of the Akrapovič carbon-fiber heat shield!**



**INSTALLATION TIP: IT IS NORMAL IF WHITE SMOKE COMES OUT OF THE MUFFLER DURING THE FIRST 100 KM AFTER REPLACEMENT.**



**INSTALLATION TIP: A CHANGE IN THE COLOR OF THE EXHAUST SYSTEM IS NORMAL DUE TO THE HIGH TEMPERATURES.**



**CAUTION: DO NOT STAND BEHIND THE MUFFLER AT ANY TIME.**



**IMPORTANT: DO NOT USE AUTOMOTIVE WHEEL CLEANERS OR ANY CLEANING PRODUCTS WHICH CONTAIN ACIDIC ADDITIVES TO CLEAN AKRAPOVIČ EXHAUST SYSTEMS.**

## TROUBLESHOOTING:

Problem	Possible cause	Solution
Exhaust gas leaks out of the muffler/pipe clamp connections	loosened clamp	tighten the clamp to specified torque
	connection is not completely joined	tap the connection into place and tighten the clamp to specified torque