

## **Installation instructions:**

# **AKRAPOVIC SLIP-ON & SLIP-ON STREET LEGAL EXHAUST SYSTEM for the KAWASAKI ZX 10 R (2004 - 2005)**

**Congratulations on purchasing an Akrapovic exhaust system. Please read these installation instructions carefully. If you have any trouble installing the system please contact your authorized dealer!**

### **IMPORTANT INFORMATION**

#### **Exclusion of Certain Liability**

1. The manufacturer, importer or dealer shall not be liable for any incidental damage including personal injury or any other damages caused by improper installation or operation of the Akrapovic exhaust system. When installing the Akrapovic exhaust system be careful that the exhaust system does not touch other parts sensitive to high temperature.
2. Akrapovic makes no representation or warranties with regard to damage caused by the improper installation, use and maintenance of the Akrapovic exhaust system. The warranty is limited to defects recognized by our technical department and to normal use, and excludes items subject to normal wear (gaskets and damping wool). The guarantee is void in case of accident, modification, improper or competition use.
3. Do not attempt to install the Akrapovic exhaust system on a motorcycle for which it was not made or tested by Akrapovic.
4. When the exhaust system gets very hot during operation, be careful not to burn yourself on the exhaust system or parts which are in direct contact with it, even when the motor is not running. Also protect other people, especially children, from the injuries mentioned above.
5. In some cases Akrapovic exhaust system kits contain chemical products (ceramic anti-seizing grease; bolt sealant). Handle with care, do not inhale or swallow. Avoid excessive contact with skin, eyes or mucous membranes. Keep out of reach of children.
6. Technical specifications of Akrapovic exhaust systems and related products subject to change without notice.

#### **Trademarks**

The Akrapovic Exhaust System Technology logo is a registered trademark of Akrapovic d.d.

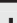
#### **Symbols**

The following symbols are used throughout these installation instructions:



## INSTALLATION INSTRUCTIONS

 BEFORE INSTALLING CHECK SCHEMATIC OF THE EXHAUST SYSTEM!

 IF ANY ITEMS IN THE AKRAPOVIC EXHAUST SYSTEM PACKAGE ARE MISSING PLEASE CONTACT YOUR AUTHORIZED DEALER. KEEP THE SCHEMATIC FOR FUTURE REFERENCE.

 THESE INSTALLATION INSTRUCTIONS MUST BE READ CAREFULLY IN ORDER TO ENSURE PROPER INSTALLATION AND OPERATION OF THE AKRAPOVIC EXHAUST SYSTEM.

 THE EXHAUST SYSTEM CAN BE EXTREMELY HOT. ALLOW THE MOTORCYCLE TO COOL DOWN BEFORE BEGINNING INSTALLATION.

 WE ADVISE YOU TO LEAVE INSTALLATION TO A QUALIFIED SERVICEMAN. IMPROPER INSTALLATION MAY RESULT IN A SHORTER LIFETIME OF THE EXHAUST SYSTEM AND/OR DAMAGE TO THE MOTORCYCLE.

### REMOVAL OF STOCK EXHAUST SYSTEM

1. put the motorcycle on a side stand, we recommend a racing stand
2. unscrew the bolt for the metal clamp on the link pipe (at the link pipe – collector joint) (Figure 1)
3. unscrew and remove the bolt for the metal muffler bracket (Figure 2)
4. remove the link pipe together with the muffler (link pipe and muffler are joint together by bolts). We recommend spraying the joint with a multi-purpose spray lubricant (WD-40 or equivalent)

### INSTALLATION OF THE AKRAPOVIC SLIP-ON STREET LEGAL EXHAUST SYSTEM

#### **installing the independent link pipe:**

1. remove the bolt from the collector metal bracket and install the additional metal bracket for attaching the spring (Figure 3, 4, 5)
2. slide the metal clamp onto the link pipe, making sure that it is oriented correctly so that it can be tightened (Figure 6)
3. slide the link pipe onto the stock collector; make sure the link pipe is not touching the frame and other parts (Figure 6)
4. attach the spring and tighten the bolt of the collector metal bracket (Figure 7, 8)

#### **installing the independent muffler:**


1. slide the muffler onto the link pipe and attach the springs (Figure 9)
2. correctly position the carbon-fiber clamp and slide it onto the muffler - bear in mind **the left offset** of the carbon-fiber clamp viewed from the rear. (Figure 10) **WARNING:** open the clamp to slightly wider than the diameter of the outer sleeve of the muffler – do not scrape it along the muffler outer sleeve! (Figure 11)
3. tighten the carbon-fiber clamp onto the stock bracket on the frame – use the stock bolts or the replacements from the Akrapovic kit, if supplied
4. make sure that it is not touching any other parts of the motorcycle
5. tighten the bolt for the metal clamp on the link pipe (at the link pipe – collector joint) (Figure 12)
6. position of the installed Akrapovic SLIP-ON STREET LEGAL system (Figure 13)

#### **final installation:**

1. tighten the bolts on all of the brackets and clamps to which the exhaust system and the other dismantled parts of the motorcycle are attached
  2. clean grease spots:
    - a. muffler – titanium outer sleeve: use a soft cloth sprayed with a multi-purpose spray lubricant (WD-40 or equivalent)
    - b. muffler – carbon-fiber outer sleeve: use a soft dry cloth
    - c. stainless steel link pipe: use a soft cloth sprayed with a contact cleaner, then wipe with a soft dry clothCleaning will prevent spots from burning onto the surface. Do not use aggressive chemical cleaners, because they can damage the sticker.
  3. replace all of the dismantled stock parts and cowlings in the reverse order from the order in which they were removed
- Check the operation of the brakes and suspension. Make sure all the bolts are sufficiently tightened. In case the exhaust system touches the cowlings or other parts repeat the adjustment of the exhaust system or contact your authorized dealer.**

 IT IS NORMAL IF WHITE SMOKE COMES OUT OF THE MUFFLER ON FIRST OPERATION.

 DO NOT STAND BEHIND THE MUFFLER ON FIRST OPERATION.

 DO NOT USE AUTOMOTIVE WHEEL CLEANERS OR ANY CLEANING PRODUCTS WHICH CONTAIN ACIDIC ADDITIVES TO CLEAN AKRAPOVIC EXHAUST SYSTEMS.

## **MAINTENANCE OF THE AKRAPOVIC EXHAUST SYSTEM**

1. Clean the titanium muffler outer sleeve with a multi-purpose spray lubricant (WD-40 or equivalent) and carbon fiber outer sleeve with soft and dry cloth. Do not use aggressive chemical cleaners, because they can damage the sticker. A change in the color of the exhaust system is normal due to the high temperatures.
2. The wearing out of the muffler silencing material depends on the type of the motor and riding style. Contact your dealer/serviceman if visible changes appear on the muffler outer sleeve or the noise level is increased.
3. Periodically make sure all the bolts are sufficiently tight.

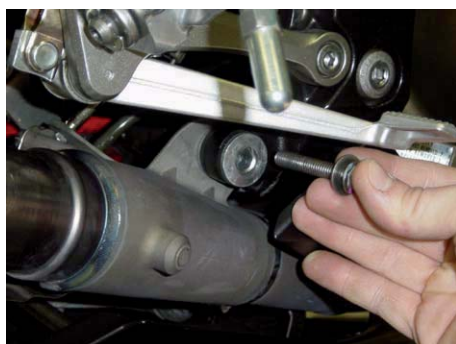
### **Photos:**



*Figure 1*



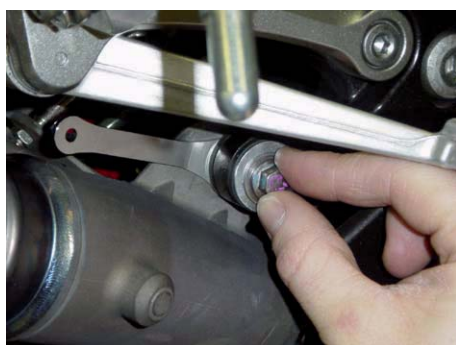
*Figure 2*



*Figure 3*



*Figure 4*



*Figure 5*



*Figure 6*

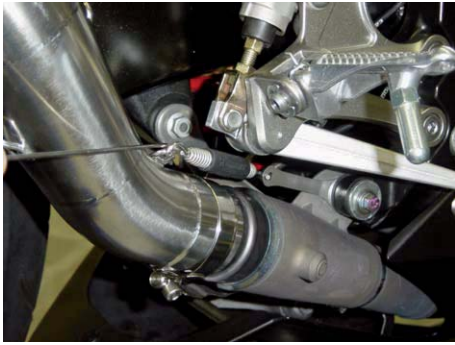


Figure 7

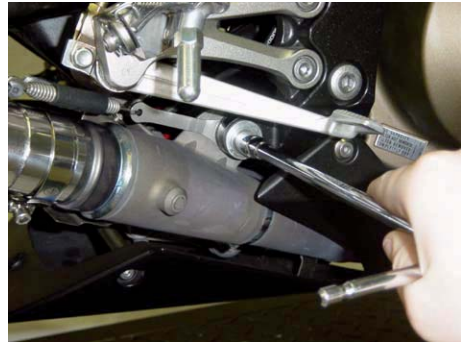


Figure 8

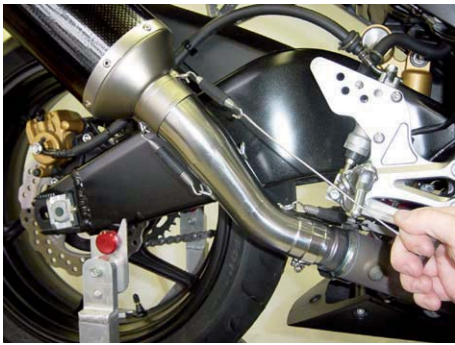


Figure 9



Figure 10



Figure 11



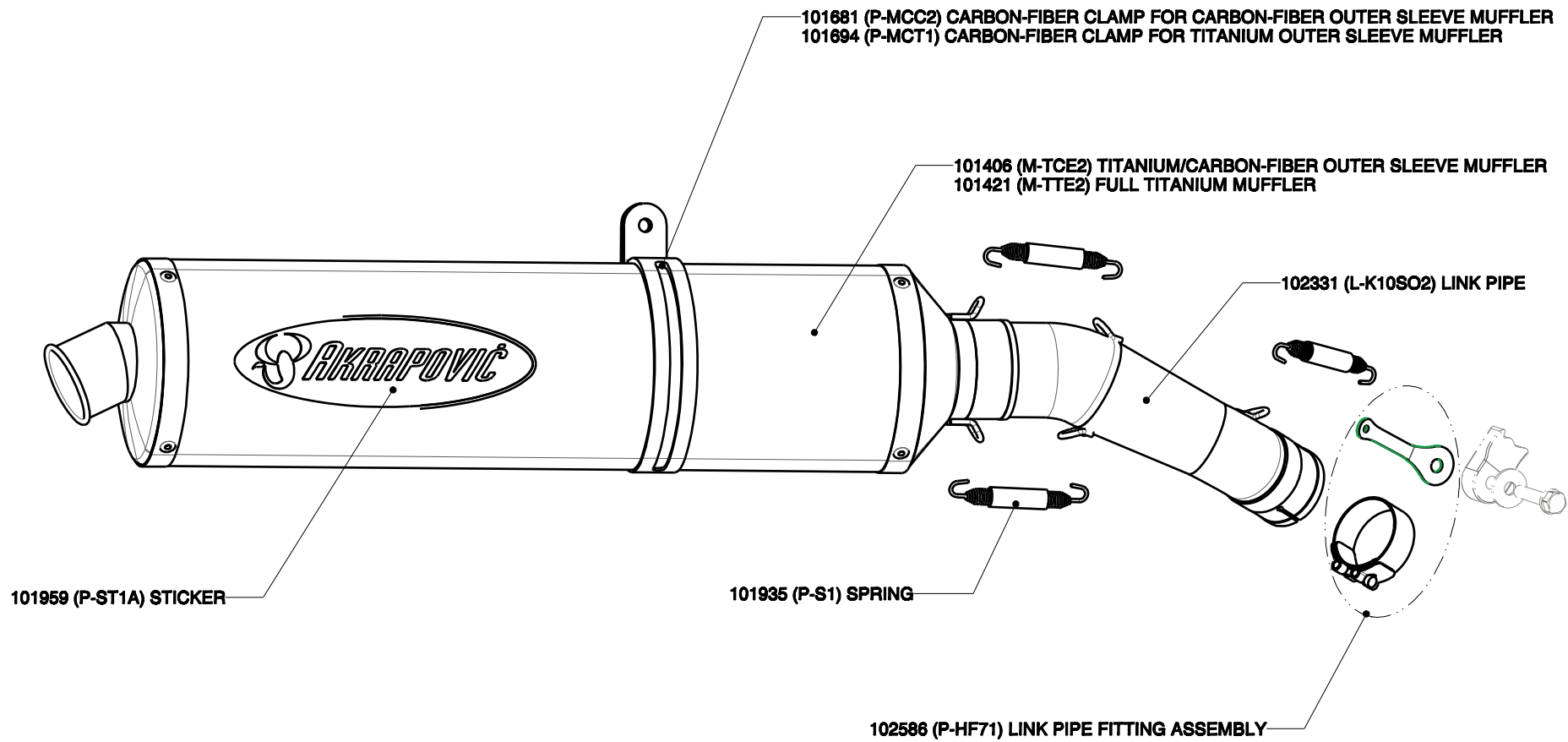
Figure 12



Figure 13

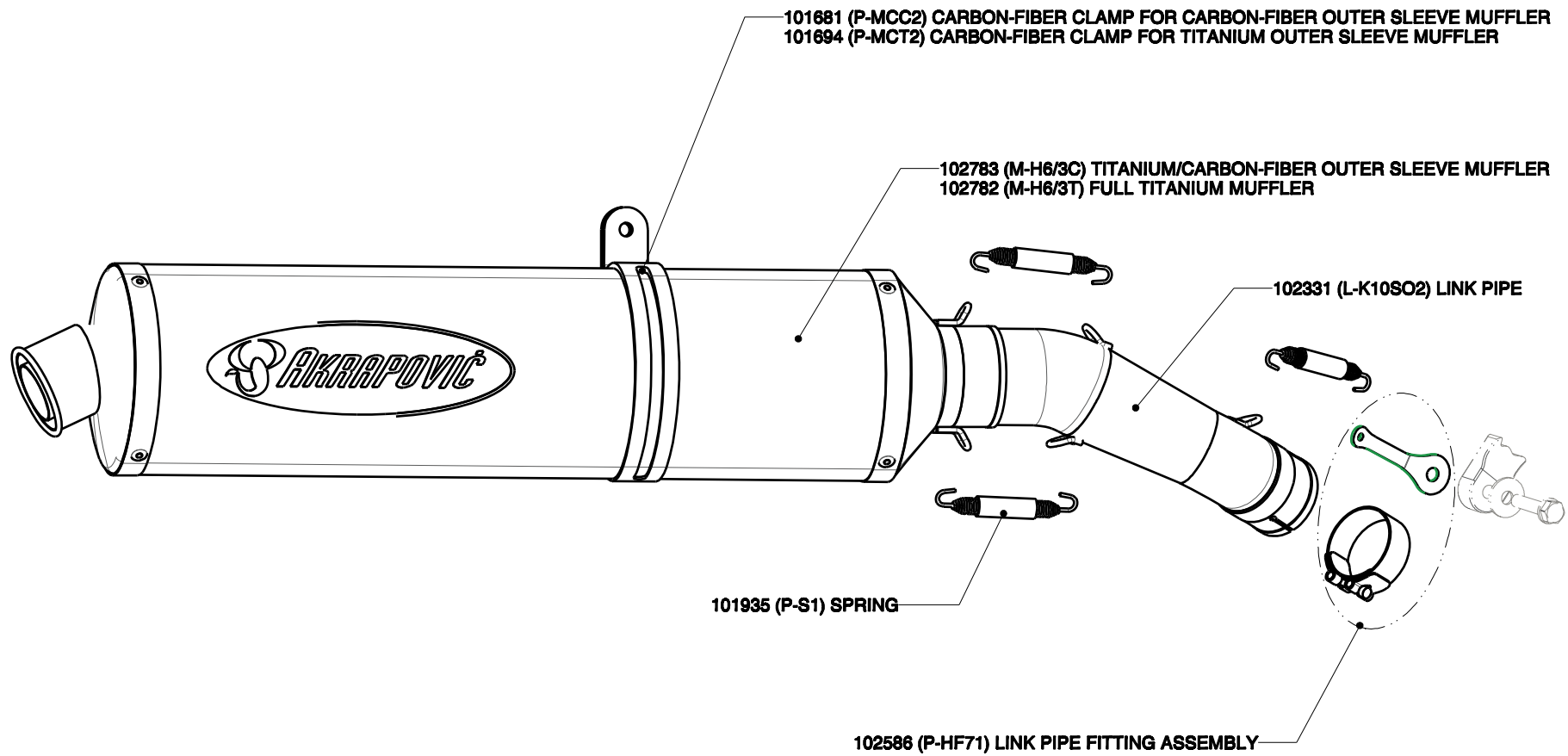
**KAWASAKI ZX-10R Slip-on system, model year: 2004-2005**

**Product code: 102585 (S-K10SO2-C)  
102584 (S-K10SO2-T)**



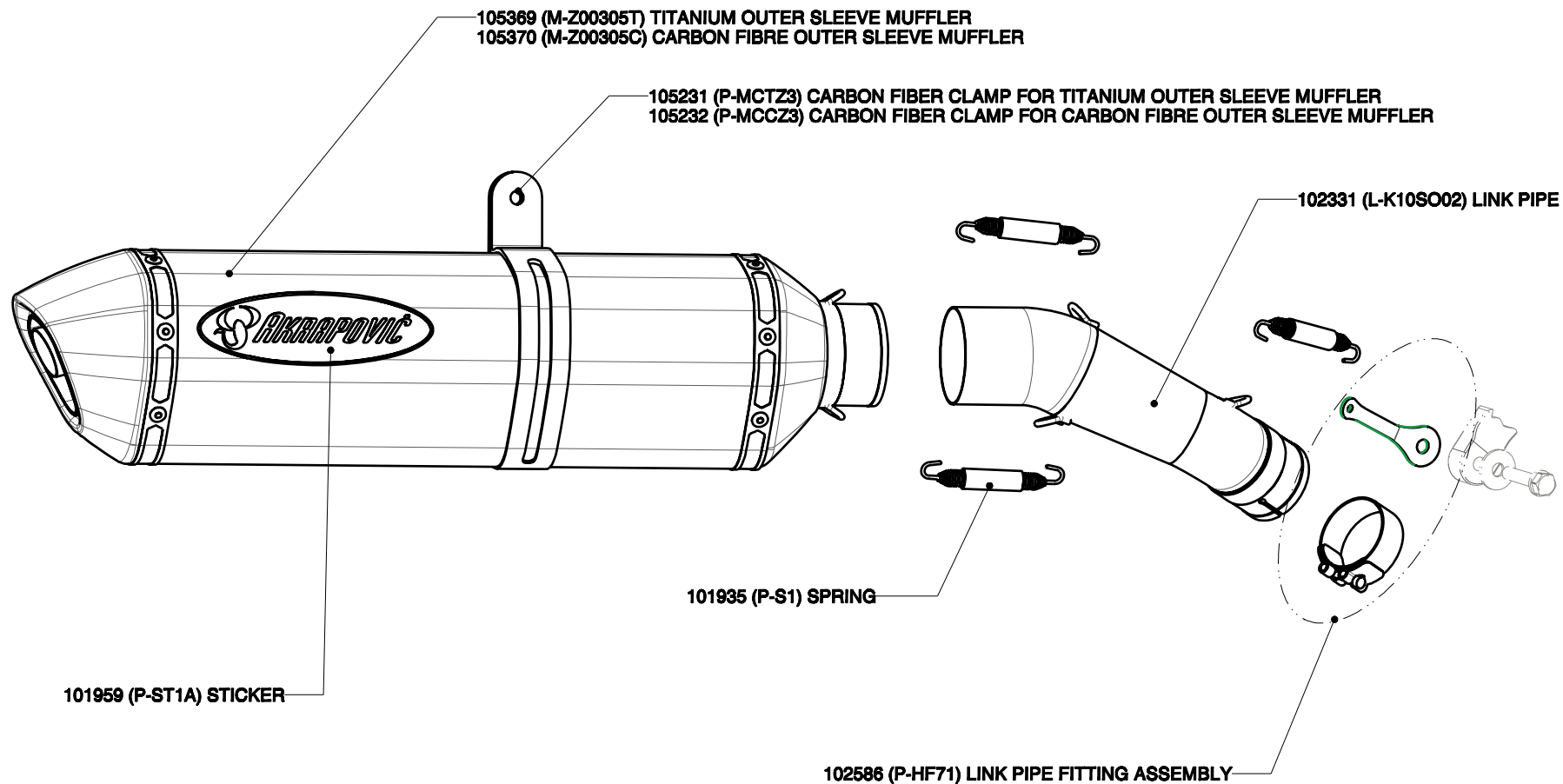
**KAWASAKI ZX-10R Slip-on system, homologated, model year: 2004-2005**

**Product code: 102587 (S-K10SO2-HC)  
102588 (S-K10SO2-HT)**



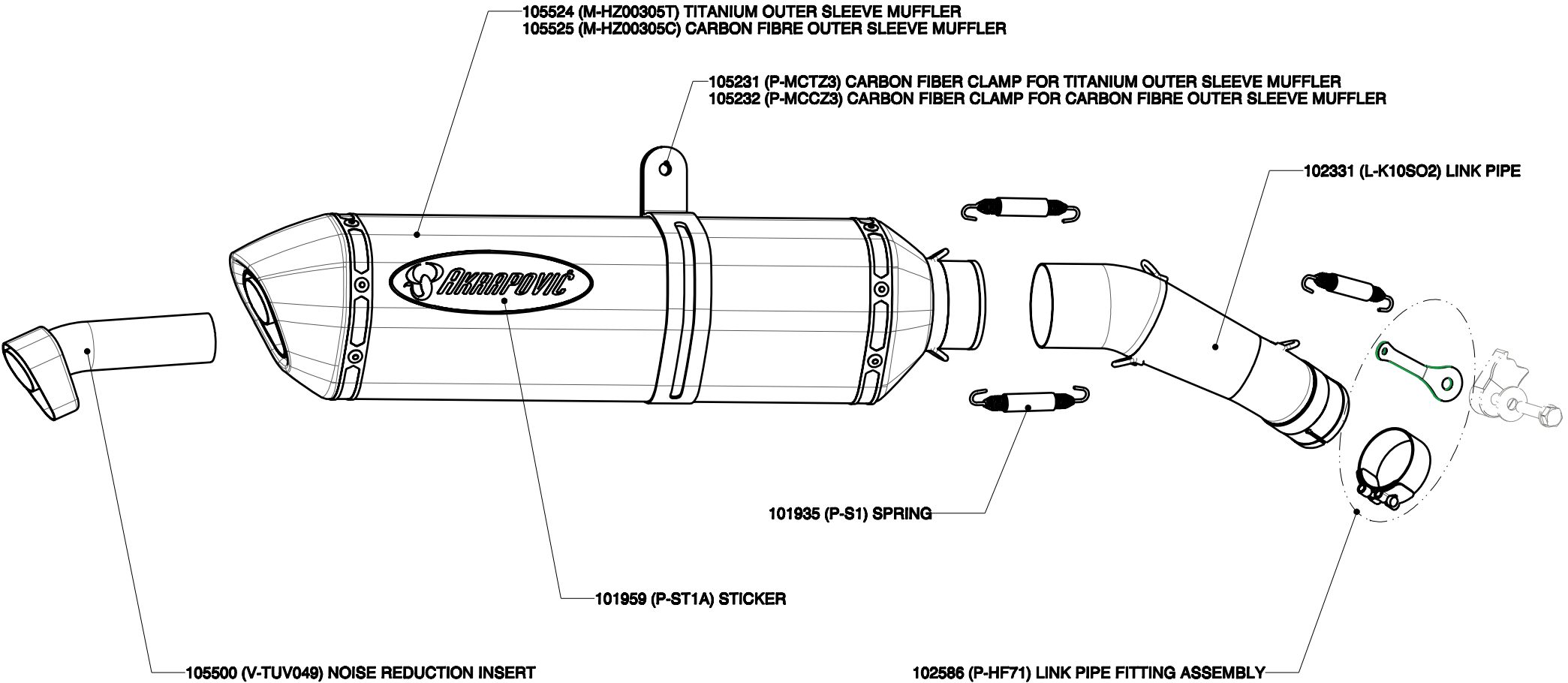
# KAWASAKI ZX-10R Slip-on system, model year: 2004-2005 / OPEN

Product code: 105465 (S-K10SO2-ZT)  
105466 (S-K10SO2-ZC)



**KAWASAKI ZX-10R Slip-on system, street legal, model year: 2004-2005**

**Product code: 105527 (S-K10SO2-HZT) Titanium outer sleeve muffler  
105528 (S-K10SO2-HZC) Carbon fibre outer sleeve muffler**





**WARNING:**

Please note that certain aftermarket exhaust systems may not comply with applicable California laws and regulations, and may therefore be prohibited for use on California highways or roads, or on roads or vehicles otherwise subject to emissions control requirements.

Akrapovič exhaust systems for automobiles and motorcycles mounted downstream of the catalytic converter (also known as “cat-back systems”) are considered “replacement parts” in California by the California Air Resources Board (CARB), and do not require an exemption or executive order from CARB to be sold in California. However, California prohibits the use of any aftermarket exhaust system that modifies, removes or replaces original equipment catalysts, unless CARB has issued an Executive Order as to such part or system.

Further, Akrapovič parts or exhaust systems used or intended for use on “racing vehicles” (i.e. a competition vehicle used exclusively for competition on closed-course circuits) do not require an exemption or Executive Order from CARB to be sold in California. However, such parts are prohibited from use on California public highways or roads, even if occasionally used “off-road.”

Find out more about exhaust parts we have.