



Installation instructions

Akrapovič Exhaust System:
Optional Header
for the
BMW R1200GS

Congratulations on purchasing an Akrapovič exhaust system. Please read the entire installation manual prior to undertaking any activities related to installation of your new Akrapovič exhaust system. In case you do not fully understand the manual or any of its parts, please contact your authorized dealer!

This product should be installed by someone with sufficient knowledge of exhaust systems and their installation, and appropriate hand or power tools. If you are not qualified for this work, please utilize a certified mechanic for installation. By installing Your Akrapovič exhaust system, you indicate that you have read the installation manual in its entirety and you agree with the terms stated herein.

It is your responsibility to follow all installation instruction guidelines supplied with the Akrapovič exhaust system and undertake all necessary safety precautions. Akrapovič d.d. assumes no responsibility for damages occurring from misuse, abuse, improper installation, improper operation, lack of responsible care, or all previously stated reasons resulting from incompatibility with other manufacturer's products and/or systems.

IMPORTANT INFORMATION

Exclusion of Certain Liability

1. The manufacturer, importer or dealer shall not be liable for any incidental damage including personal injury or any other damages caused by improper installation or operation of the Akrapovič exhaust system. When installing the Akrapovič exhaust system be careful that the exhaust system does not touch other parts sensitive to high temperature.
2. Akrapovič makes no representation or warranties with regard to damage caused by the improper installation, use and maintenance of the Akrapovič exhaust system. The warranty is limited to defects recognized by our technical department and due to normal use, and excludes items subject to normal wear (gaskets and damping wool). The guarantee is void in case of accident, modification, improper or competition use.
3. Do not attempt to install the Akrapovič exhaust system on a vehicle model for which it was not made or tested by Akrapovič.
4. When the exhaust system gets very hot during operation, be careful not to burn yourself on the exhaust system or parts which are in direct contact with it, even when the engine is not running. Also protect other people, especially children, from the injuries mentioned above.
5. In some cases Akrapovič exhaust system kits contain chemical products (ceramic anti-seizing grease; bolt sealant). Handle with care, do not inhale or swallow. Avoid excessive contact with skin, eyes or mucous membranes. Keep out of reach of children.
6. Technical specifications of Akrapovič exhaust systems and related products are subject to change without notice.
7. Before removing the original exhaust system from your vehicle, please compare the parts you received with the list of materials provided in the installation manual in order to assure that you have all the parts necessary for the installation of your new Akrapovič exhaust system.
8. Although this manual consists of instructions for installation in written form, as well as photographs and pictures representing individual steps of the installation, please note that the photographs and pictures are symbolic and are intended for representation of general overview only. The photographs and pictures contained herein should serve as a guideline only and actual installation of the exhaust system may not correspond with the photographs and pictures entirely.
9. The process of uninstalling the original exhaust system may vary depending on the existing exhaust system. Please follow the original exhaust system manufacturer's instructions for uninstalling the original exhaust system.

Trademarks

The Akrapovič Exhaust System Technology logo is a registered trademark of Akrapovič d.d.

Symbols

The following symbols are used throughout these installation instructions:



TOOLS REQUIRED



TIGHTENING TORQUE



INSTALLATION TIP



CAUTION OR WARNING



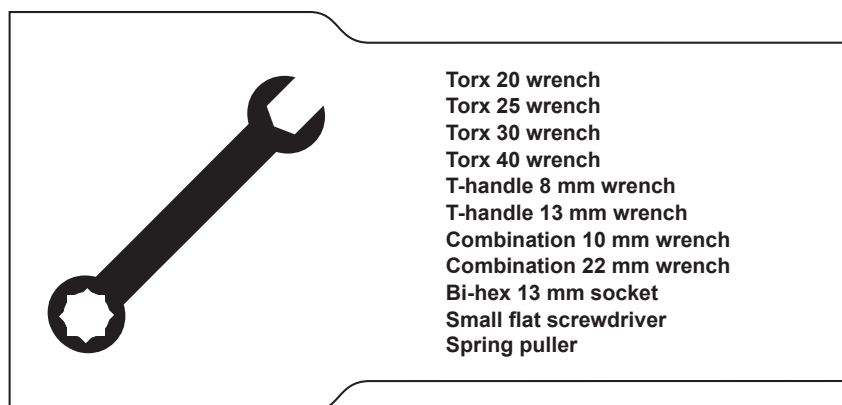
USE BOLT SEALANT; Apply 3 to 4 small drops of bolt sealant onto the cleaned and degreased threads before tightening the bolts. **WARNING! Avoid contact with skin, eyes and mucous membranes. Do not inhale fumes. Keep out of reach of children.**



USE ANTI-SEIZE LEAD-FREE COPPER PASTE (black tube); Provides trouble-free and long-lasting protection against seizing, corrosion and rusting of bolts, threaded ends, nuts, joints, etc. Also protects against vibration, wear and impact. **WARNING! Avoid eye contact. Avoid excessive skin contact. Keep out of reach of children.**



USE ANTI-SEIZING GREASE (white tube); Prevents seizing, corrosion and excessive wear between the titanium components of your exhaust system. **WARNING! Avoid eye contact. Avoid excessive skin contact. Keep out of reach of children.**



BEFORE INSTALLING, CHECK THE PARTS LIST AND SCHEMATIC DRAWING OF THE EXHAUST SYSTEM! THE LATEST VERSION OF THE PARTS LIST AND SCHEMATIC DRAWINGS OF THE PRODUCTS ARE AVAILABLE ON OUR WEB PAGE.



IF ANY ITEMS IN THE AKRAPOVIČ EXHAUST SYSTEM PACKAGE ARE MISSING, PLEASE CONTACT YOUR AUTHORIZED DEALER. KEEP THE SCHEMATIC FOR FUTURE REFERENCE.



THESE INSTALLATION INSTRUCTIONS MUST BE READ CAREFULLY IN ORDER TO ENSURE PROPER INSTALLATION AND OPERATION OF THE AKRAPOVIČ EXHAUST SYSTEM.



THE EXHAUST SYSTEM CAN BE EXTREMELY HOT. ALLOW THE EXHAUST AND ENGINE TO COOL DOWN BEFORE BEGINNING INSTALLATION.



WE ADVISE YOU TO LEAVE INSTALLATION TO A QUALIFIED SERVICEMAN. IMPROPER INSTALLATION MAY RESULT IN A SHORTER LIFETIME OF THE EXHAUST SYSTEM AND/OR DAMAGE TO THE VEHICLE.



THIS MANUAL IS SPECIFIC TO THE BMW R1200GS. THERE MAY BE SOME DIFFERENCES IN INSTALLATION PROCEDURES FOR OTHER GS MODELS.



AKRAPOVIČ MAKES EVERY EFFORT TO PROVIDE IMPROVED CORNERING CLEARANCE FOR EXHAUST SYSTEMS. HOWEVER, DUE TO DESIGN AND SPACE LIMITATIONS ON SOME MOTORCYCLE MODELS, GROUND AND CORNERING CLEARANCE MAY NOT IMPROVE OR MAY EVEN BE REDUCED. FOR ADVANCED USERS, WE RECOMMEND INCREASING THE SPRING PRELOAD SETTINGS TO IMPROVE GROUND CLEARANCE.



THE AKRAPOVIČ WARRANTY DOES NOT COVER DISCOLORATION OF ANY CHROME PRODUCTS.

INSTALLATION OF THE AKRAPOVIČ OPTIONAL HEADER:

1. Remove the Akrapovič Slip-On exhaust system off the motorcycle in reverse order, from the order in which it was installed; check the Slip-On exhaust system installation manual for details.
2. Unscrew the marked bolts and remove the exhaust valve's heat shield (Figure 1).

! WARNING: make sure, not to damage any part of the motorcycle during this procedure!



Figure 1

3. Unscrew the marked cable nuts and remove the cables off the valve (Figure 2).

! CAUTION: be careful not to damage any part of the motorcycle during this procedure!

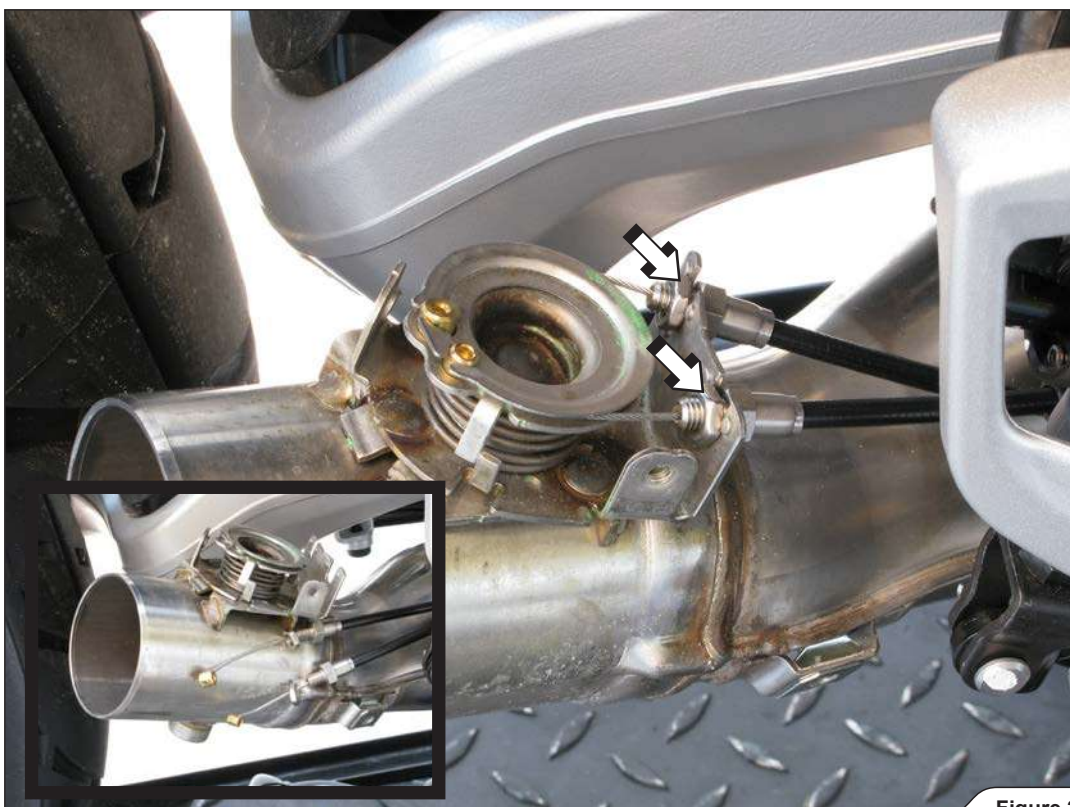


Figure 2

4. Unscrew the marked bolts and remove the skid plate off the motorcycle (Figure 3).

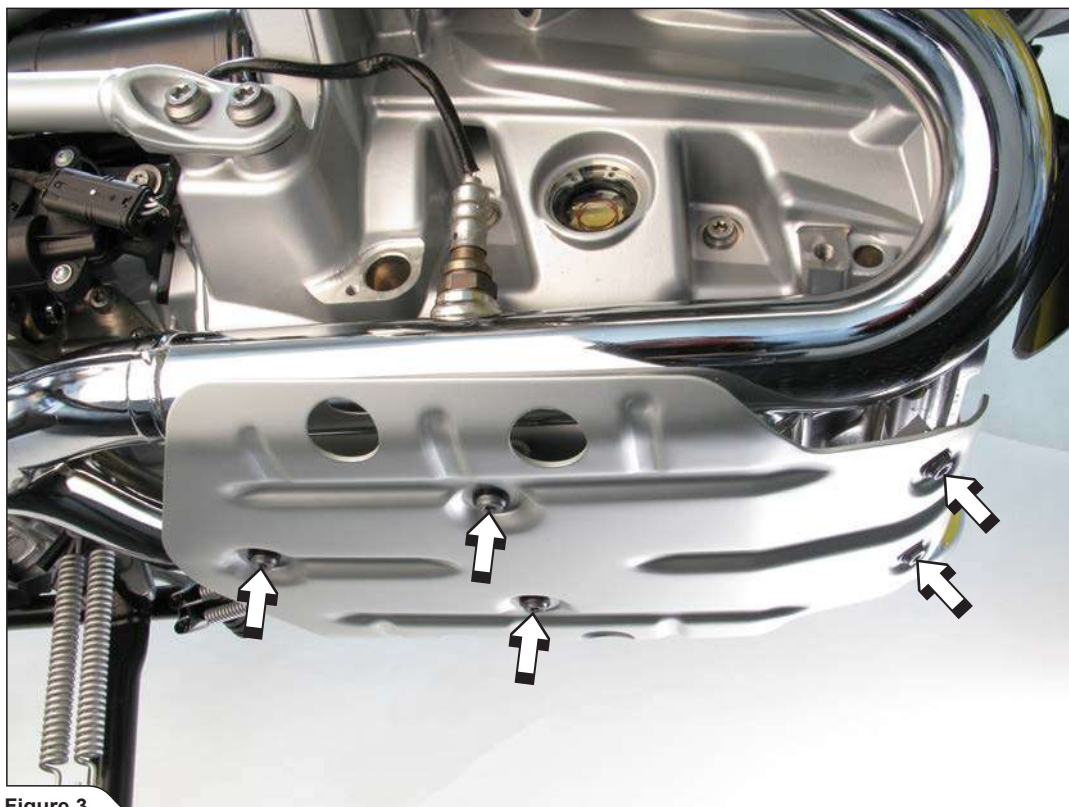


Figure 3

5. Unscrew the lambda sensors on both sides of the motorcycle (Figure 4).
! WARNING: make sure not to damage the sensors' electrical leads during this procedure!



Figure 4

6. Unscrew the marked flange nuts on both sides of the motorcycle and carefully remove the headers off the motorcycle (Figure 5, 6).

! **CAUTION:** be careful not to injure yourself or damage any part of the motorcycle during this procedure!

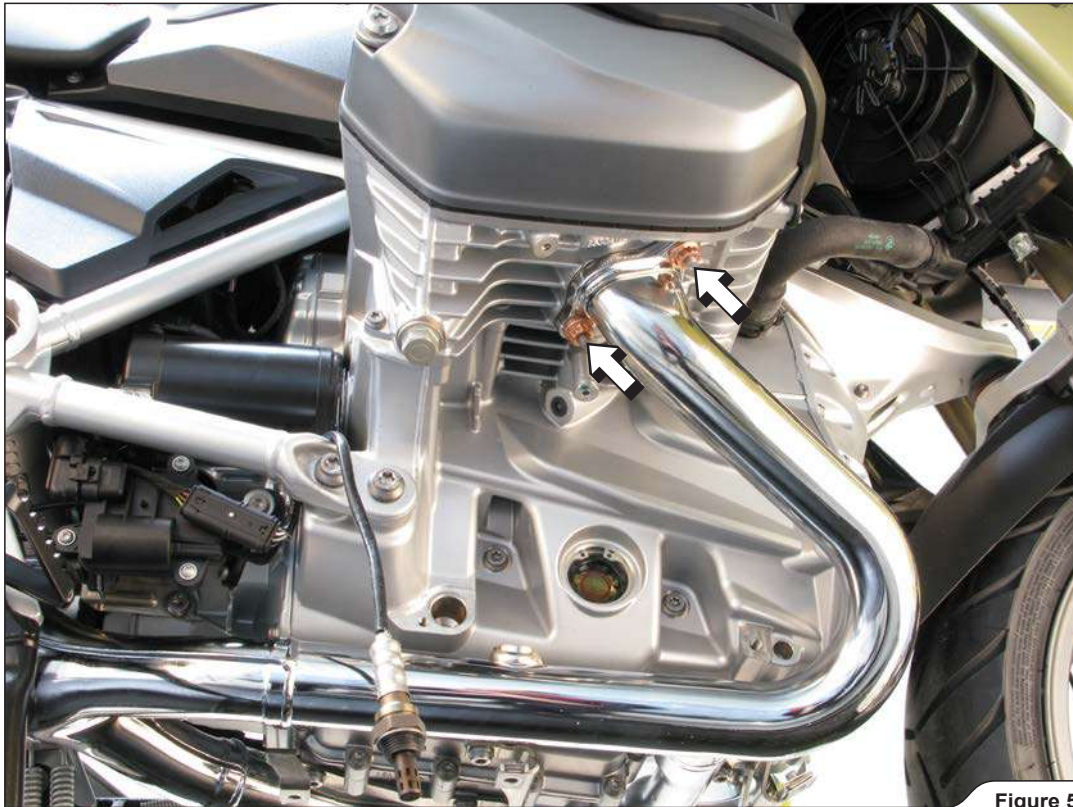


Figure 5

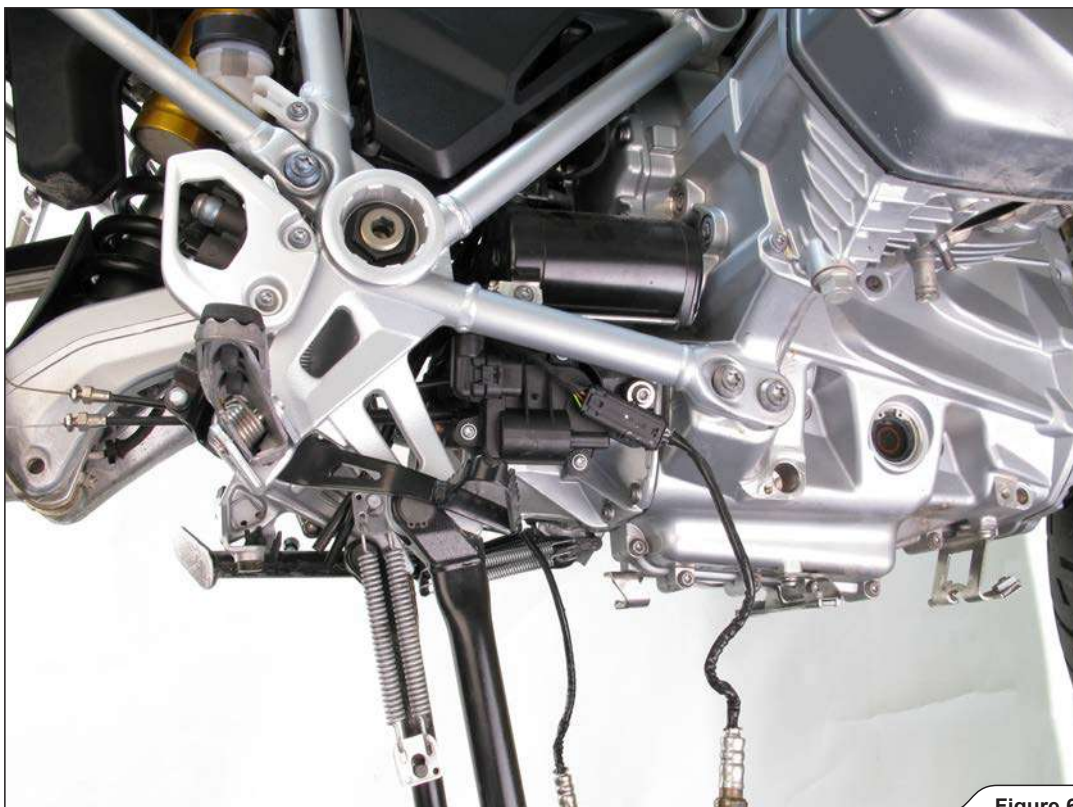


Figure 6

7. Unhook the right cylinder's lambda connector off the servo's housing, disconnect the exhaust valve servo's connector, unscrew the marked bolt and carefully remove the servo together with valve's cables off the motorcycle (Figure 7).

! **CAUTION:** be careful not to damage any part of the motorcycle during this process!

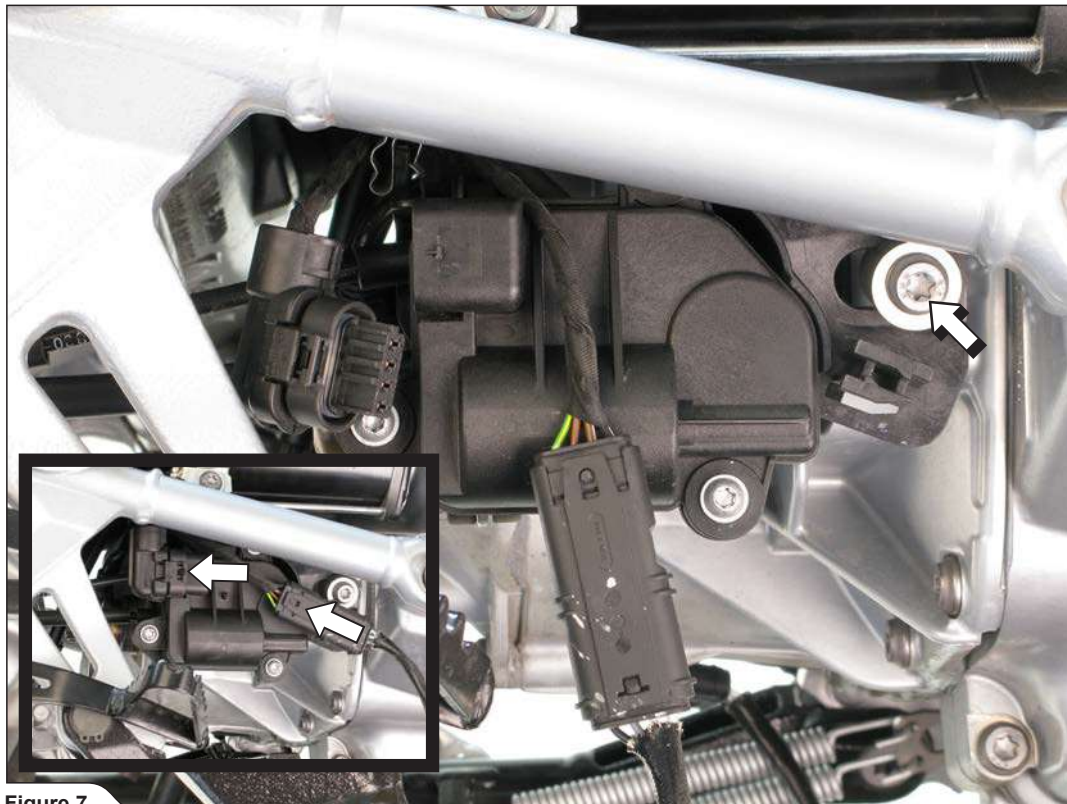


Figure 7

8. Unscrew the servo's cover, remove the cables and reinstall the cover (Figure 8, 9, 10).

! **CAUTION:** be careful not to damage any part of the motorcycle during this process!



Figure 8



Figure 9

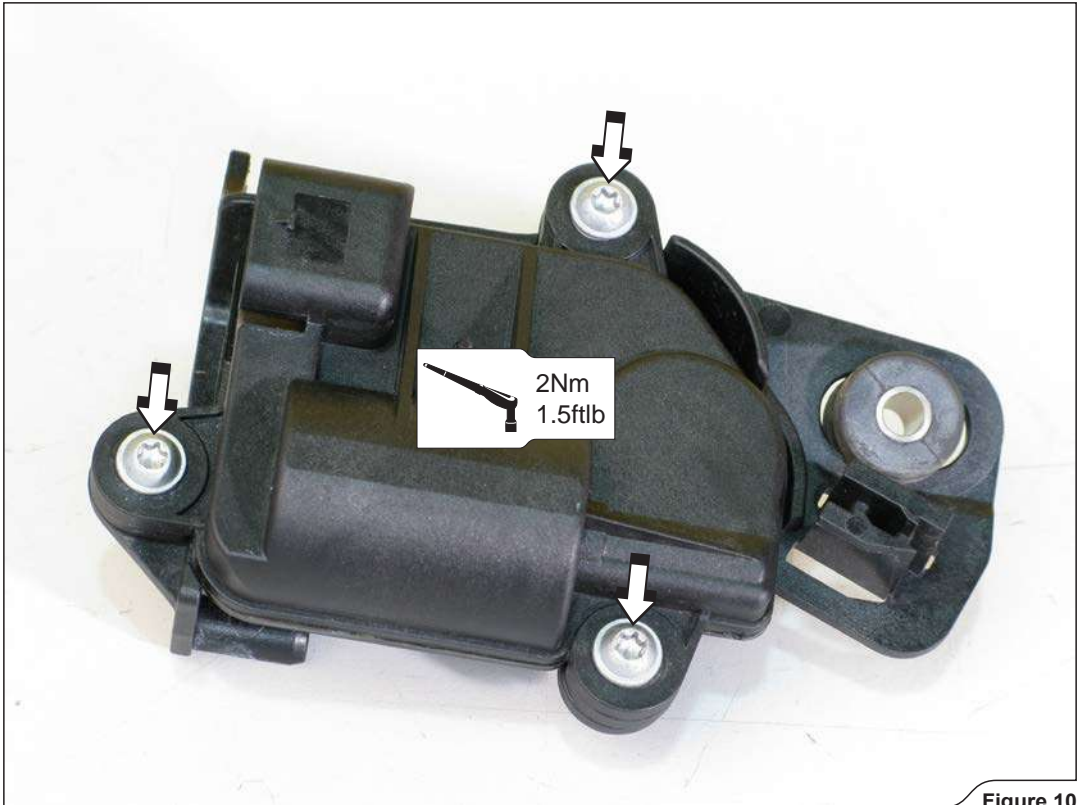


Figure 10

9. Reinstall the exhaust valve's servo, reconnect the servo's connector and hook the right cylinder's lambda connector back onto the servo's housing (Figure 11, 12).

! **CAUTION:** be careful not to damage any part of the motorcycle during this process!



Figure 11



Figure 12

10. Unscrew the marked bolts and remove the header's rubber bracket off the motorcycle (Figure 13).

! CAUTION: be careful not to damage any part of the motorcycle during this process!

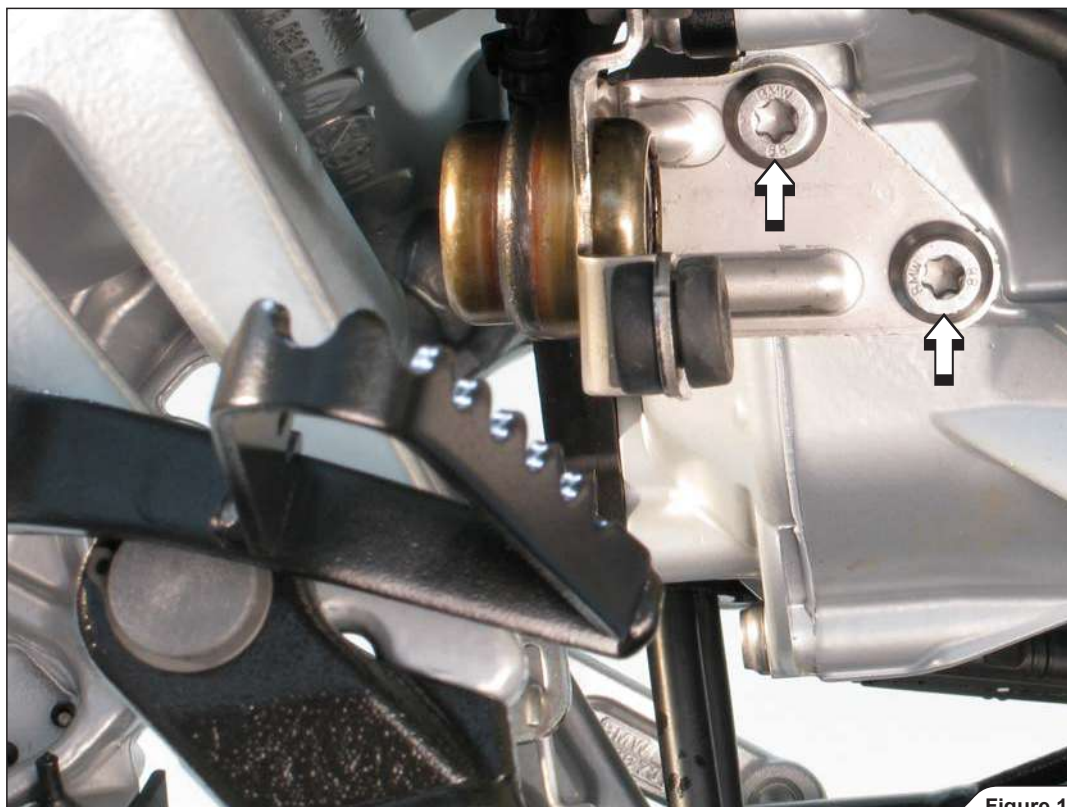


Figure 13

11. Unscrew the marked bolts and remove the skid plate's bracket off the motorcycle (Figure 14).

! CAUTION: be careful not to damage any part of the motorcycle during this process!

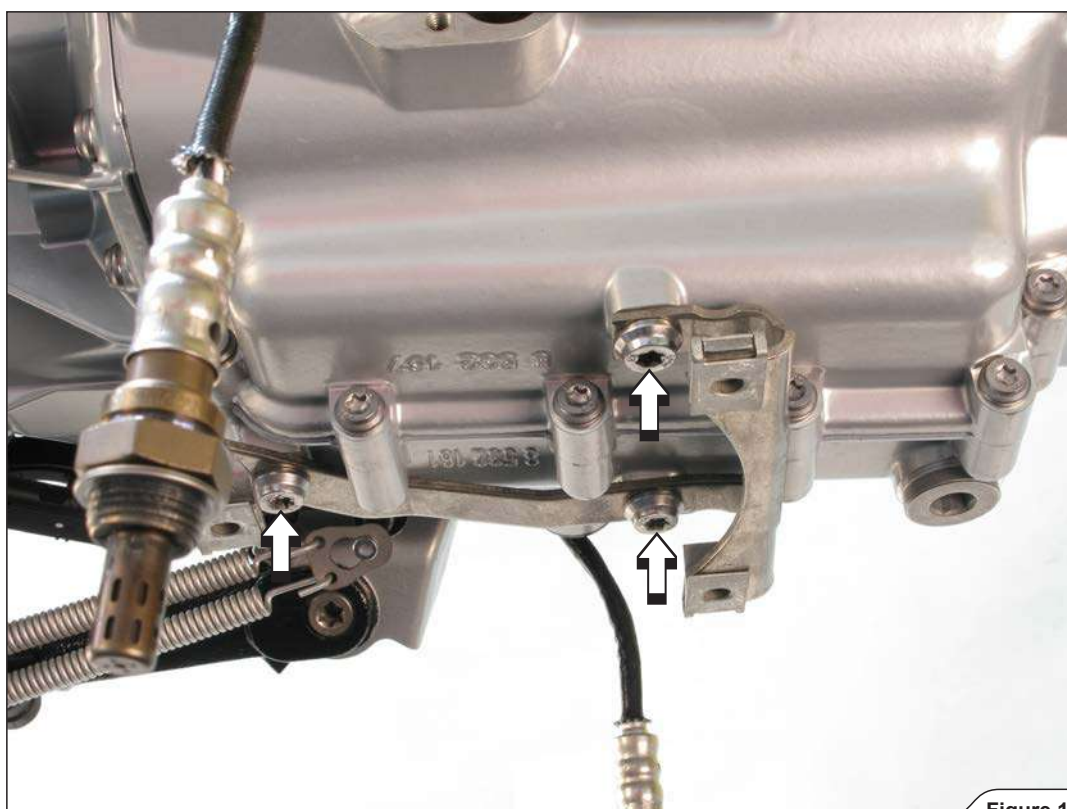


Figure 14

12. Assemble the Akrapovič headers with collector, attach the springs and attach the stock rubber bracket onto the collector, as shown (Figure 15).

! **WARNING:** make sure, that spring pulls the collector all the way onto the headers – use rubber mallet if necessary to tap the connections into place!

✂ **INSTALLATION TIP:** for easier mounting, lubricate the rubber bracket (WD40).

✂ **INSTALLATION TIP (for titanium headers only):** coat the interior side of the inlet bushes of the titanium collector with Akrapovič ceramic anti-seizing grease (white tube).

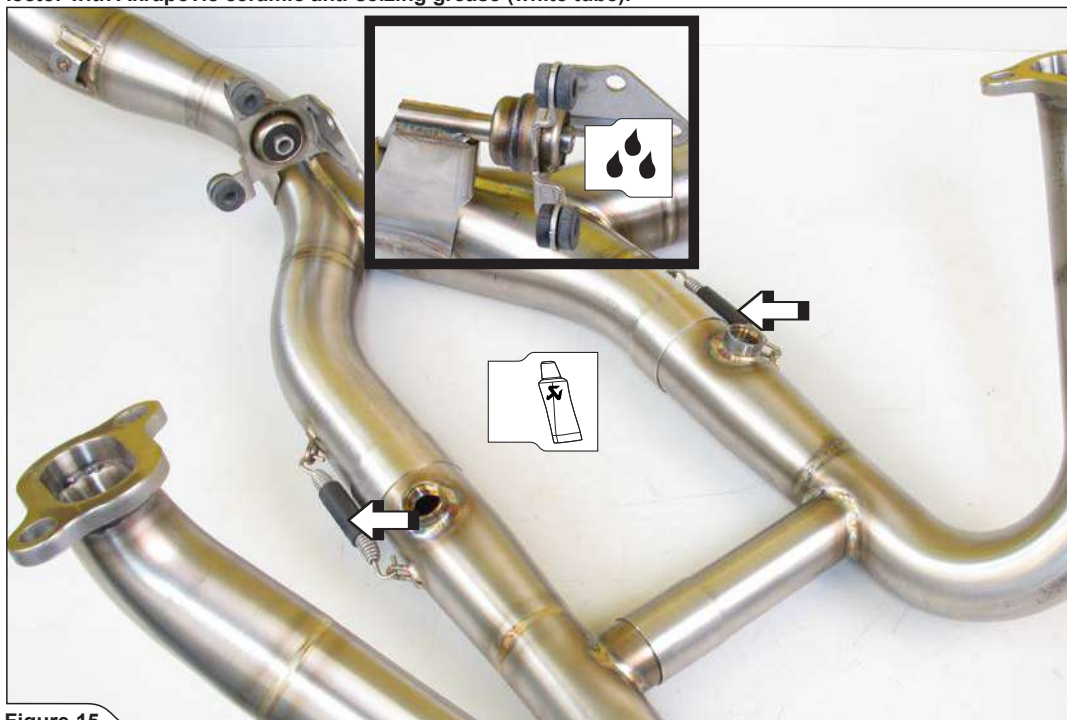


Figure 15

13. Attach the gaskets onto the exhaust port stud bolts, carefully assemble the headers onto their place, tighten the collector's bracket and stock flange nuts on both sides to the specified torque (Figure 16, 17, 18).

✂ **INSTALLATION TIP:** use new stock exhaust port gaskets.

! **CAUTION:** be careful not to injure yourself or damage any part of the motorcycle during this procedure!



Figure 16

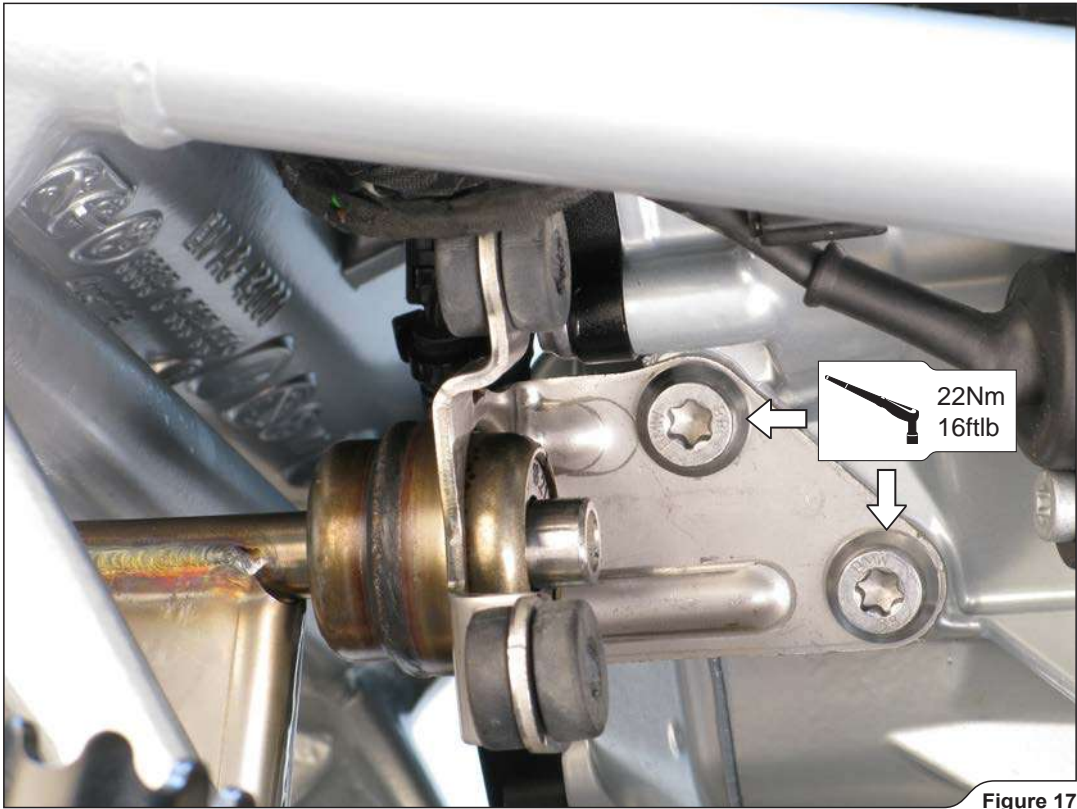


Figure 17

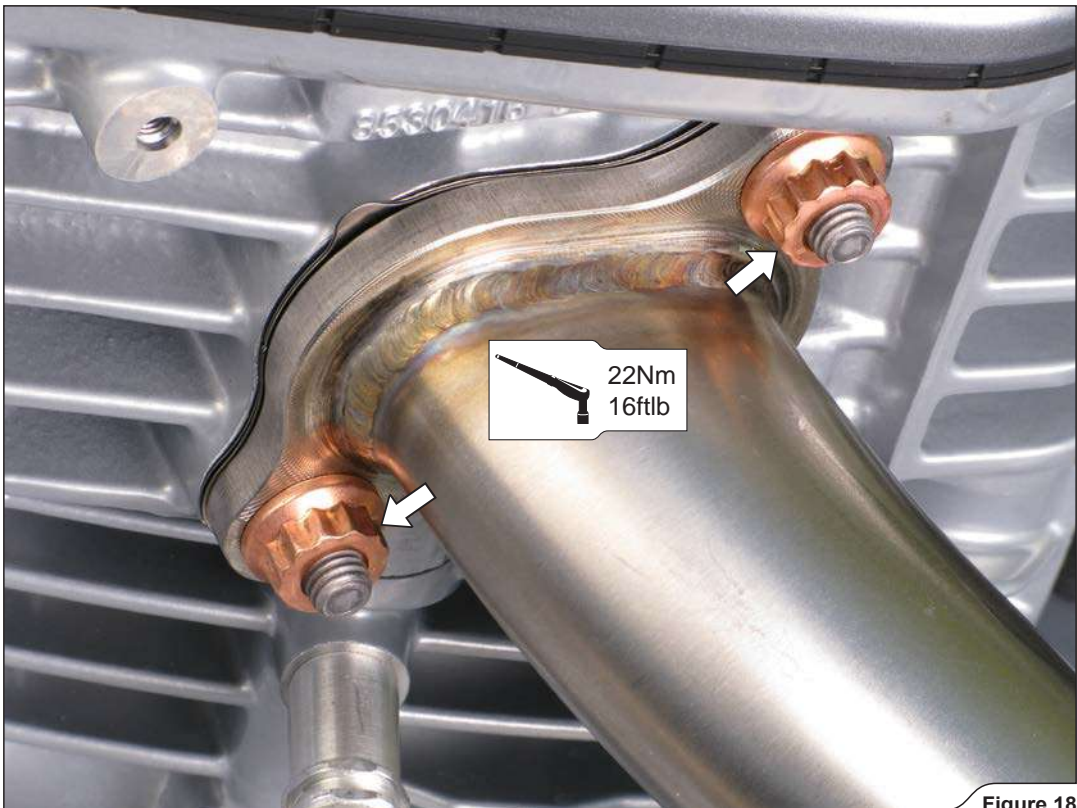


Figure 18

14. Assemble the clamp from Akrapovič installation kit onto the muffler's inlet pipe, as shown (Figure 19).

! **WARNING:** use anti-seize copper paste on clamp's bolt threads!



Figure 19

15. Insert the sleeve from Akrapovič installation kit, into the rubber muffler's bracket, as shown (Figure 20).



Figure 20

16. Carefully slide the muffler onto the collector's outlet (Figure 21).

! **CAUTION:** be careful not to damage the exhaust system or any other part of the motorcycle during this process!



Figure 21

17. Attach the aluminium washer from Akrapovič installation kit to the sleeve and rotate both, till bolt hole aligns with sub frame thread (Figure 22).

! **CAUTION:** make sure to join aluminium washer and rubber bracket's inner sleeve correctly!



Figure 22

18. Align the muffler in respect to the motorcycle and tighten the muffler's bracket to the sub frame (using stock bolt) and muffler's inlet pipe clamp (Figure 23, 24).

! **CAUTION:** be careful not to damage any part of the motorcycle during this process!

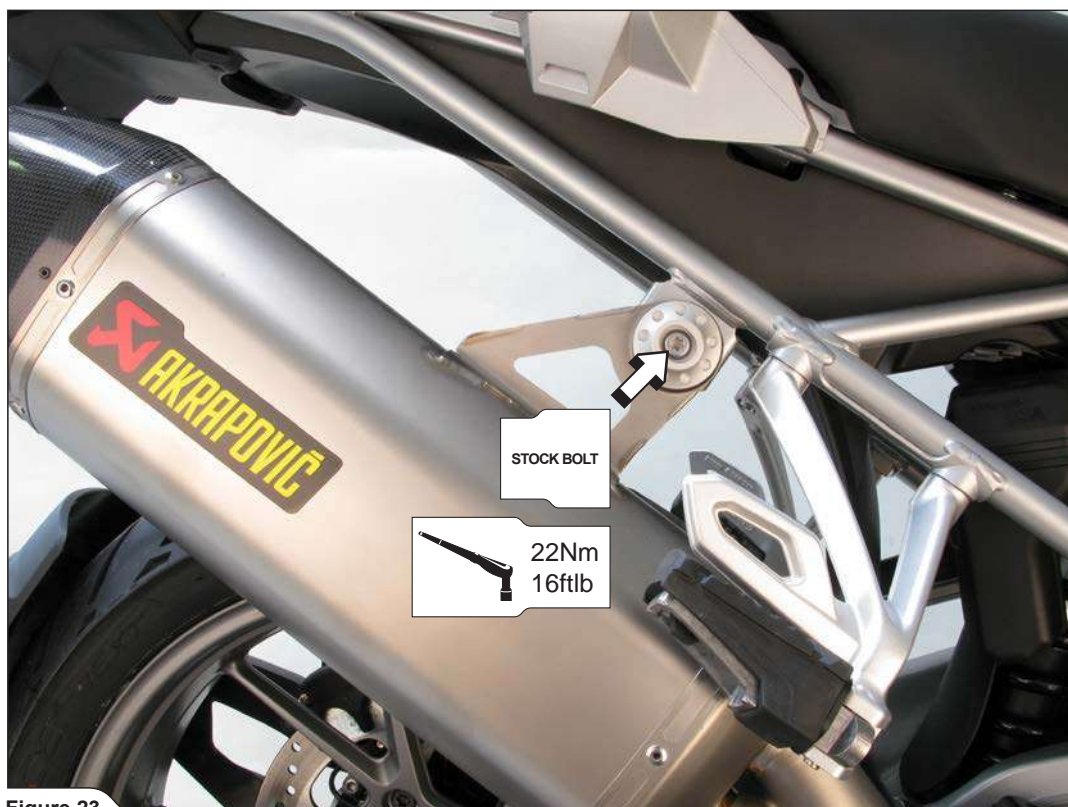


Figure 23



Figure 24

19. Assemble the bolts and heat resistant washers from Akrapovic installation kit, onto the heat shield, as shown (Figure 25, 26).

✘ INSTALLATION TIP: screw the heat resistant washers onto the bolts; do not try to push them on!



Figure 25



Figure 26

20. Assemble the clamp and bracket from Akrapovič installation kit and hand tighten it onto the muffler's inlet pipe, as shown (Figure 27, 28).

! **WARNING:** do not fully tighten the heat shield's clamp yet!



Figure 27



Figure 28

21. Align the heat shield in respect to the muffler's inlet pipe and collector. Tighten the heat shield's bolt and clamp to the specified torques (Figure 29, 30).

! **WARNING:** before tightening the bolt and clamp, make sure you adjust the heat shield in such a way, that it doesn't touch the pipe or any other part of the motorcycle!

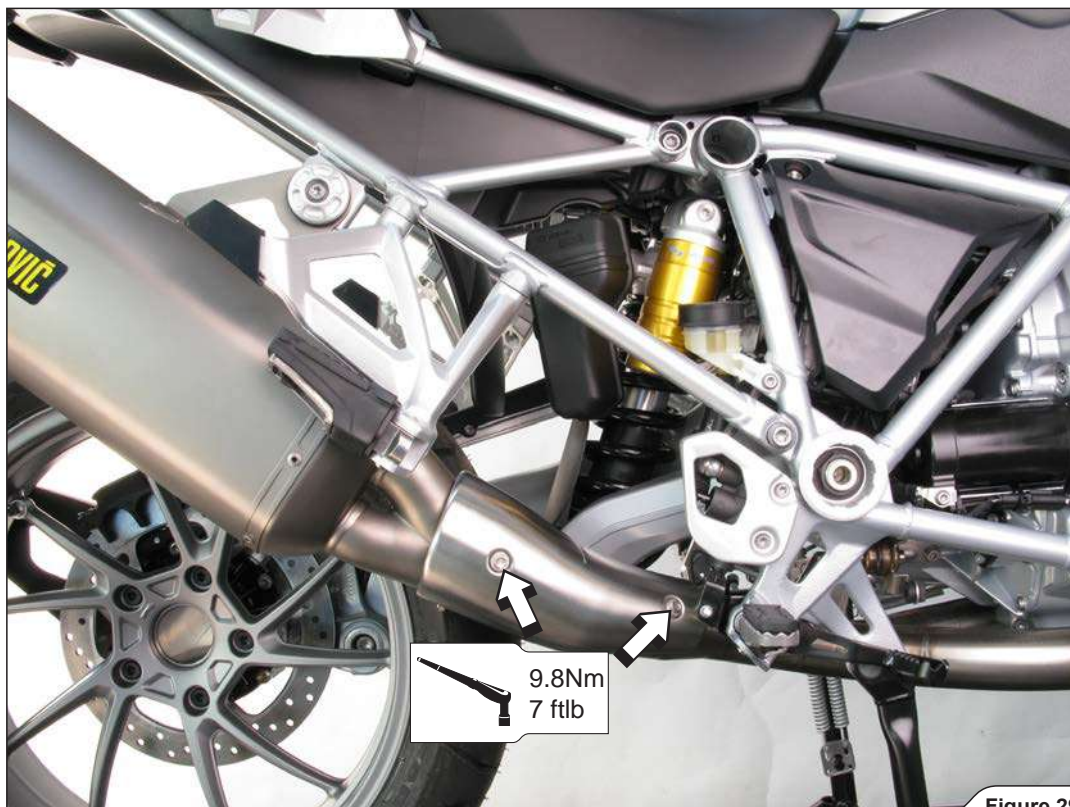


Figure 29



Figure 30

22. Reinstall the skid plate's bracket, skid plate and both lambda sensors (Figure 31, 32).

! **CAUTION:** be careful not to damage any part of the motorcycle during this process!

! **WARNING:** make sure not to damage the lambda sensors' electrical leads during this procedure!

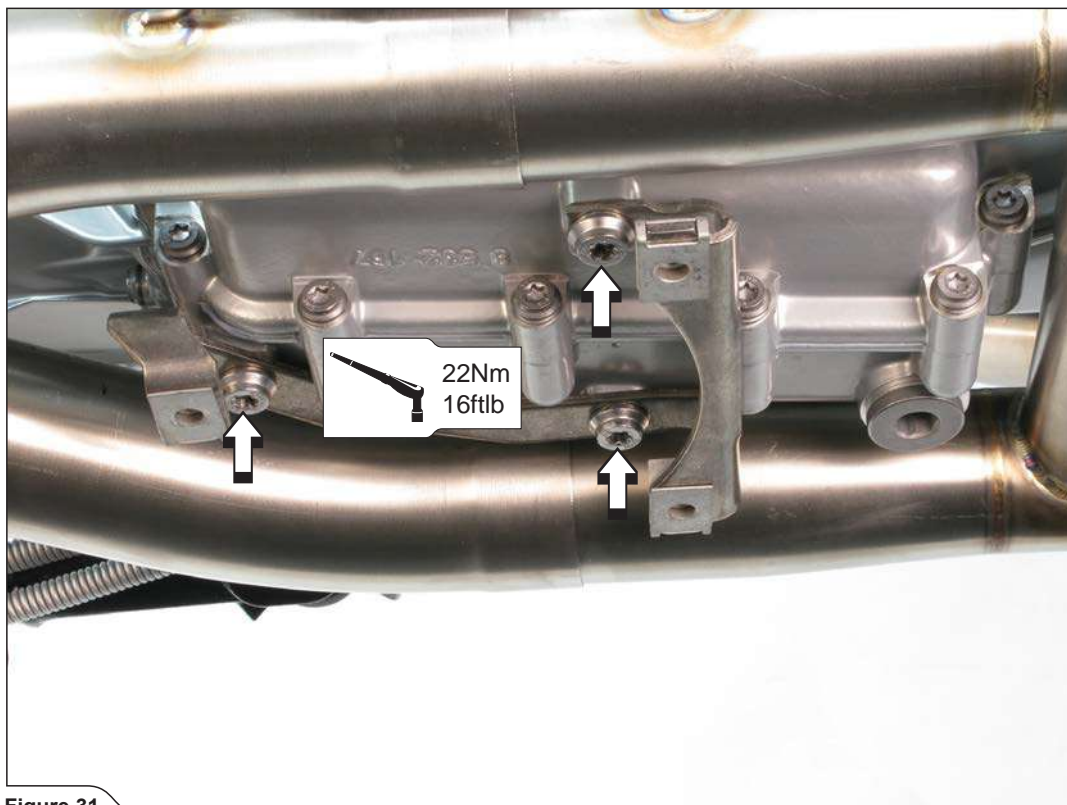


Figure 31

! **WARNING:** use anti-seize copper paste only on the lambda sensor threads!

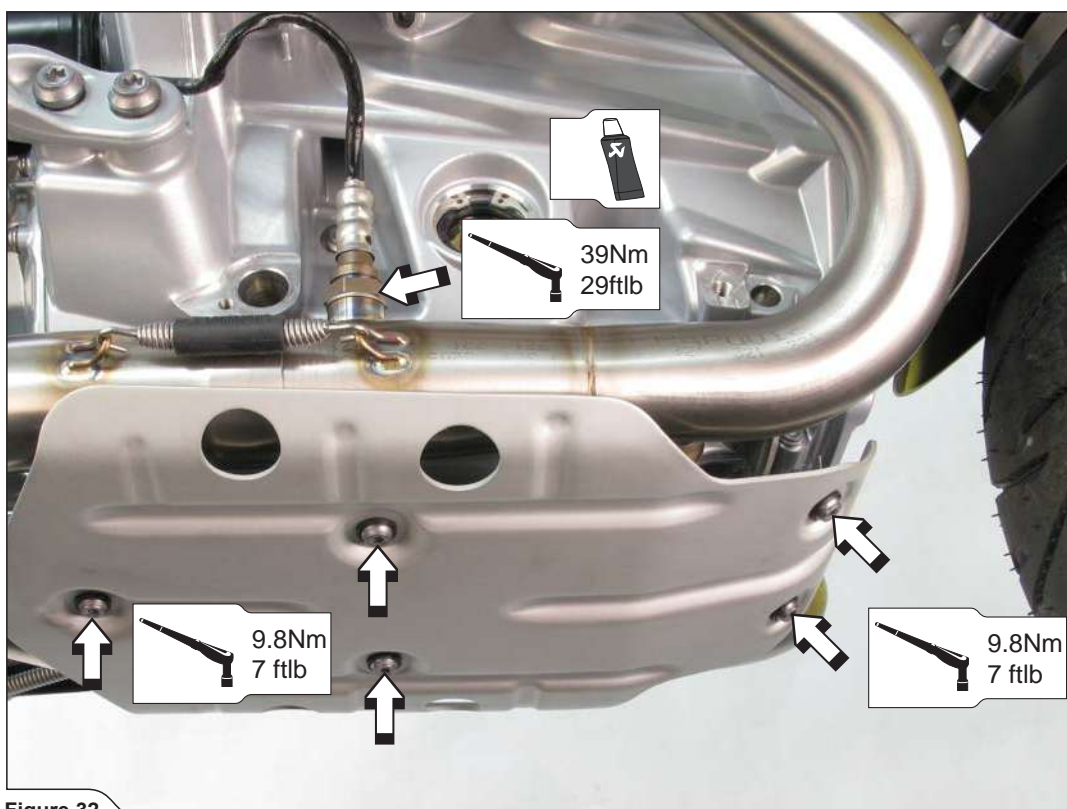


Figure 32

Final installation:

Clean grease spots:

- a. Muffler – titanium outer sleeve: use a soft cloth sprayed with a multi-purpose spray lubricant (WD-40 or equivalent).
- b. Muffler – carbon-fiber outer sleeve: use a soft dry cloth.
- c. Muffler – carbon-fiber outlet cap: use a soft dry cloth.
- d. Stainless steel pipes: use a soft cloth sprayed with a contact cleaner, then wipe with a soft dry cloth.
- e. Titanium pipes: use a soft cloth sprayed with a multi-purpose spray lubricant (WD-40 or equivalent).

Cleaning will prevent spots from burning onto the surface. Do not use aggressive chemical cleaners, because they can damage the sticker.

! WARNING: make sure all the bolts are sufficiently tightened. In case the exhaust system touches the cowling or other parts repeat the adjustment of the exhaust system or contact your authorized dealer.

! WARNING: after running engine for 30 minutes, retighten the bolts of the Akrapovic carbon-fiber heat shield!

! IT IS NORMAL IF WHITE SMOKE COMES OUT OF THE MUFFLER ON FIRST OPERATION.

! DO NOT STAND BEHIND THE MUFFLER ON FIRST OPERATION.

! DO NOT USE AUTOMOTIVE WHEEL CLEANERS OR ANY CLEANING PRODUCTS WHICH CONTAIN ACIDIC ADDITIVES TO CLEAN AKRAPOVIČ EXHAUST SYSTEMS.

MAINTENANCE OF THE AKRAPOVIČ EXHAUST SYSTEM:

1. Clean the titanium exhaust components with a multi-purpose spray lubricant (WD-40 or equivalent), carbon fiber exhaust components with soft and dry cloth and stainless steel components with soft cloth sprayed with contact cleaner, then wipe with soft and dry cloth. A change in the color of the exhaust system is normal due to the high temperatures.
2. Periodically make sure all the bolts and springs are sufficiently tight.

WARNING:

Please note that certain aftermarket exhaust systems may not comply with applicable California laws and regulations, and may therefore be prohibited for use on California highways or roads, or on roads or vehicles otherwise subject to emissions control requirements.

Akrapovič exhaust systems for automobiles and motorcycles mounted downstream of the catalytic converter (also known as “cat-back systems”) are considered “replacement parts” in California by the California Air Resources Board (CARB), and do not require an exemption or executive order from CARB to be sold in California. However, California prohibits the use of any aftermarket exhaust system that modifies, removes or replaces original equipment catalysts, unless CARB has issued an Executive Order as to such part or system.

Further, Akrapovič parts or exhaust systems used or intended for use on “racing vehicles” (i.e. a competition vehicle used exclusively for competition on closed-course circuits) do not require an exemption or Executive Order from CARB to be sold in California. However, such parts are prohibited from use on California public highways or roads, even if occasionally used “off-road.”

Shop for other exhaust parts more on our website.