



MOUNTING INSTRUCTIONS FOR - H1511 GL1500 BLACK LEFT HARD POCKET

Note: Read instructions thoroughly before installing. **Drilling Required.**

1. Place bike on center stand.
2. Remove vinyl cover from left storage pocket. Figure 1.
3. Remove 4 screws holding pocket to bike and snaps around pocket. Figure 2.

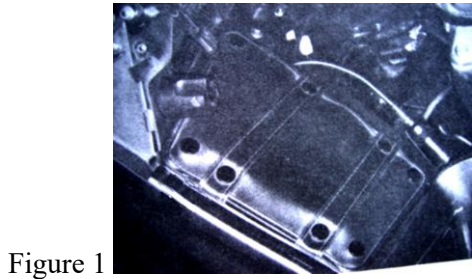


Figure 1

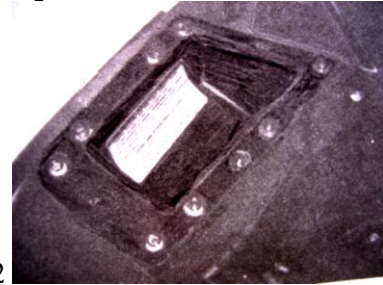
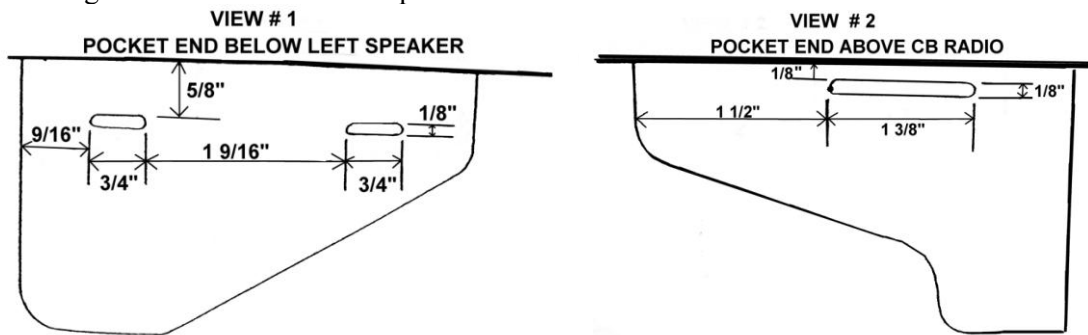
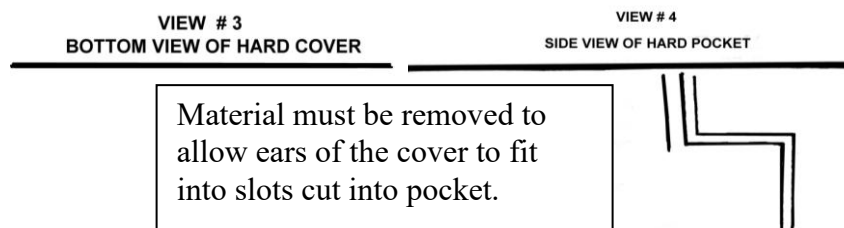


Figure 2

4. Remove storage pocket from bike.
5. Follow drawings view #1 and view #2 to position the slots to be cut out.



6. Using an electric drill with a 1/8" bit, drill several holes in the slots you have laid out on the pocket.
7. Cut out the slots by trimming them with a utility knife.



The pocket is now ready to receive the cover. The cover must now be adjusted to fit the pocket.

8. The pocket cover fastener, which fits into the slots of pocket end below left speaker (view #1), must be trimmed to fit properly. See views #3 and #4. Material is ABS plastic and easy to cut with a utility knife.
9. After removing the excess material, fit the cover into the pocket. It should be easy to get in, but fit snug.
10. The ears of the cover fastener may be too long after the adjustments in step #8 has been made. Shorten the ears if necessary by trimming carefully.
11. Install the left pocket back in the bike using the 4 screws.
12. Install left pocket cover and engage latch.