



INSTALLATION INSTRUCTIONS FOR Part 45-8929A SADDLEBAG LIGHT with Six (6) LIGHTS

Tools Required:

- | | |
|--|---------------------------------------|
| 1-Small flat bladed screwdriver | 1-9/32 drill bit and electrical drill |
| 1-#2 medium Phillips screwdriver | 1-Center punch |
| 1-8mm wrench | 1-Hammer |
| Quantities of waterproof sealant and electrical tape | |

Read instructions thoroughly before installing.

Procedure:

1. Remove the following:
 - A. Using the small flat bladed screwdriver, pry off the side and rear snap on trim cover pieces (1A) from the lower left and right hand saddlebag corner covers (1B).
 - B. Using the #2 medium Phillips screwdriver, remove the side and rear Phillips screws (1C) and the lower left and right hand saddlebag corner covers (1B).
 - C. Open the left and hand saddlebag door panels (1D) and using the 8mm wrench, remove the six acorn nuts (1E), six flat washers (1F), and the left and right hand saddlebag reflectors (1G). Set the reflectors aside and keep the acorn nuts (1E) and flat washers (1F) for reassembly.
2. Using the center punch and hammer, mark each saddlebag door (2A) at location (2B).
3. Using the 9/32 drill bit, drill through each saddlebag door (2A) at location (2B).
4. Using the center punch and hammer, mark the left hand and right hand saddlebag rear surface cavities (3A) at location (3B).
5. Using the 9/32 drill bit, drill through the left hand and right hand saddlebag rear surface cavities (3A) at location (3B).
6. Push the wiring harness (4A) from the left and right saddlebag lights (1H) through the 9/32 drilled hole at location (4B) on the door panels (4C). Note the angled ends on the lights (1H) face the front of the motorcycle with the wiring harness (4A) to the rear.
7. Using the 8mm wrench, attach the lights (1H) to the left and right door panels (4C) using the acorn nuts (4D) and flat washers (4E) removed in step 1C, being careful not to pinch the wiring harness (4A).
8. Using electrical tape, (4H) tape the wiring harness to the rear door panel hinge arm (4F) on each side. Be sure to allow sufficient slack for the door panels to open completely.
9. Route the wiring harness (4A) from inside the saddlebags through the 9/32 drilled holes on the saddlebag rear cavity surfaces at location (4G).
10. Splice the light wire harness (4A) to the motorcycle running lights in the rear surface cavities (3A) behind the saddlebags. Attach the brown light power wire (+) to brown and the green light ground wire (-) to green on the motorcycle.
11. Turn on the ignition and check that the saddlebag lights (1H), running lights and stop lights for proper operation.
12. Using a waterproof sealant, seal the wiring and drilled access holes (4B & 4G) to prevent moisture from entering.
13. Replace the lower corner covers, screws, and trim cover pieces by reversing steps 1A and 1B, being careful not to pinch the wiring harness (4A).

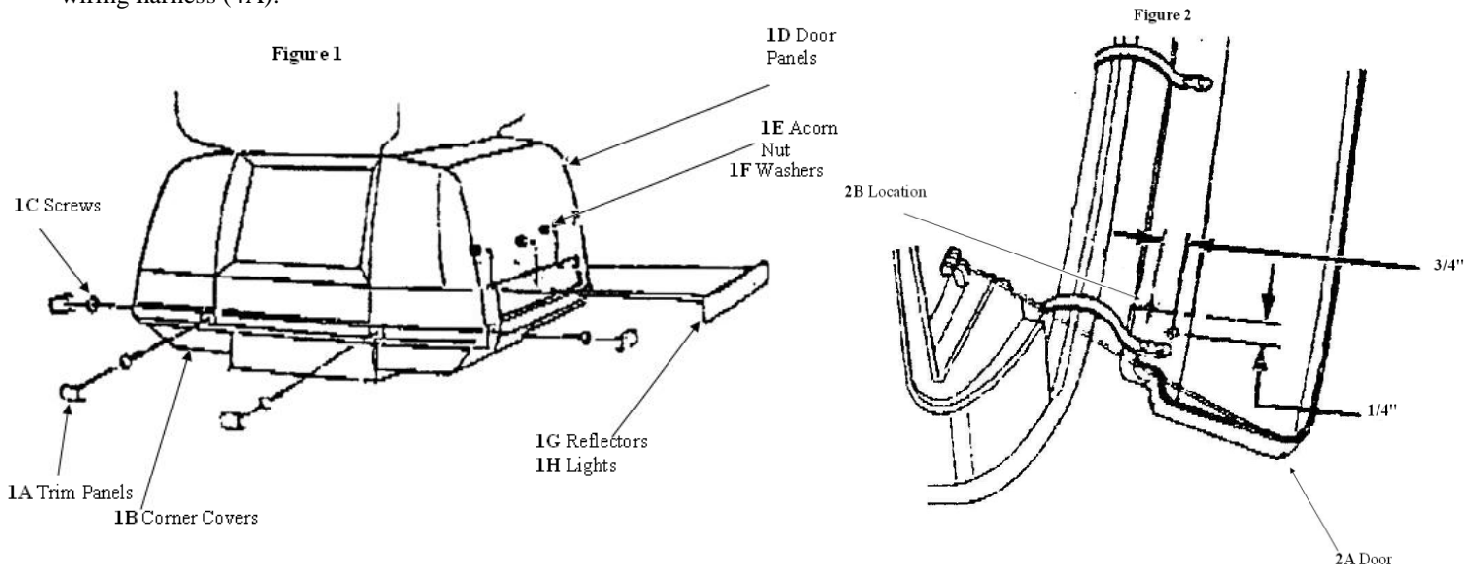


Figure 3

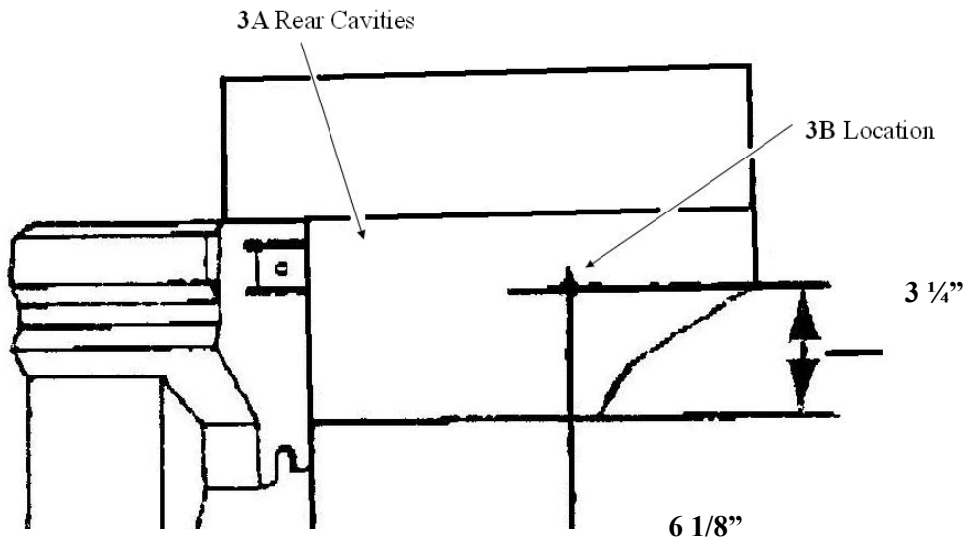


Figure 4

