



## MOUNTING INSTRUCTIONS FOR 45-1849 Series Angel Eyes Speaker Lights

Note: Read instructions thoroughly before installing. (4 pages)



### Parts List

No.	Description	Qty
1	Angel Eyes	2
2	Adhesive Tape	2
3	Gasket (optional)	2

### Tools Required

Phillips® Screwdriver  
Torque Wrench

### Torque Chart

Be sure to tighten all screws to their specified torque.

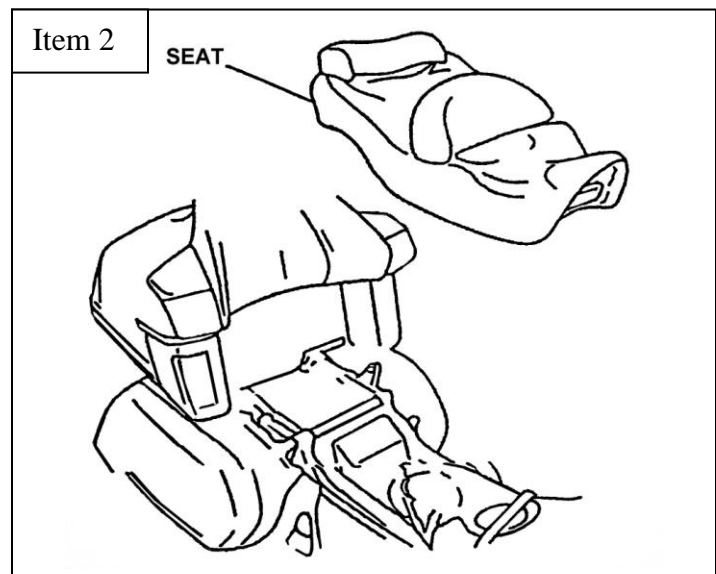
Item	n-m	kgf-m	lbf-ft
5 mm Screw	4	0.4	2.9



**Note: Angel Eyes will fit on most 4 inch speakers.**

### INSTALLATION

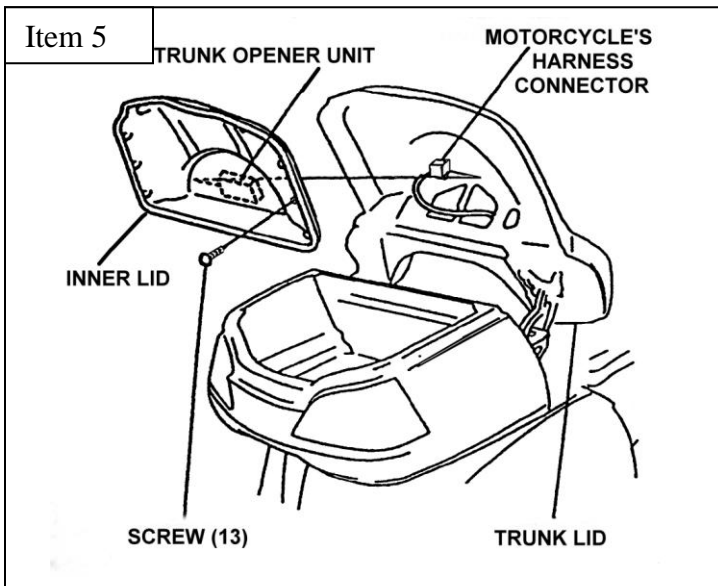
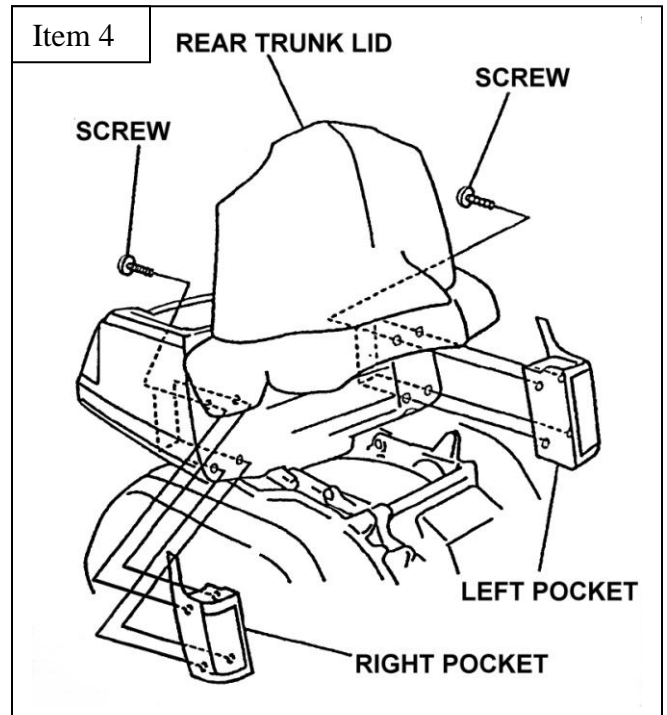
1. Remove the rear speakers as instructed below.
2. Remove the seat as described in the Service Manual.
3. Disconnect the negative cable from the battery.



**Instructions 45-1849 Series continued**

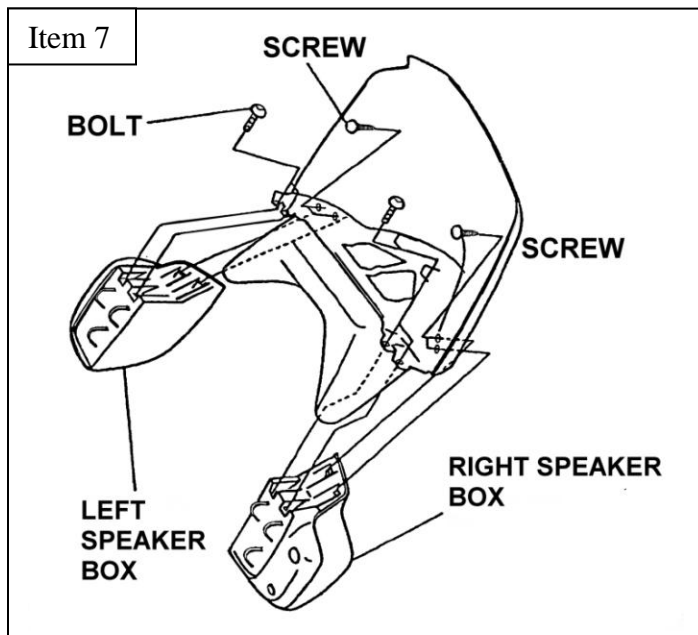
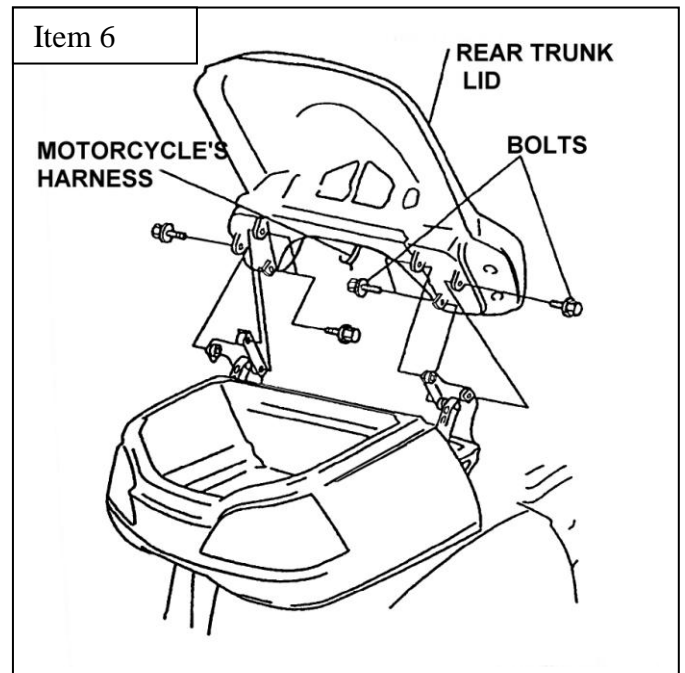
4. Remove the screws and the right and left pockets.

5. Remove the 13 screws and the inner lid from the trunk lid as described in the Service Manual.



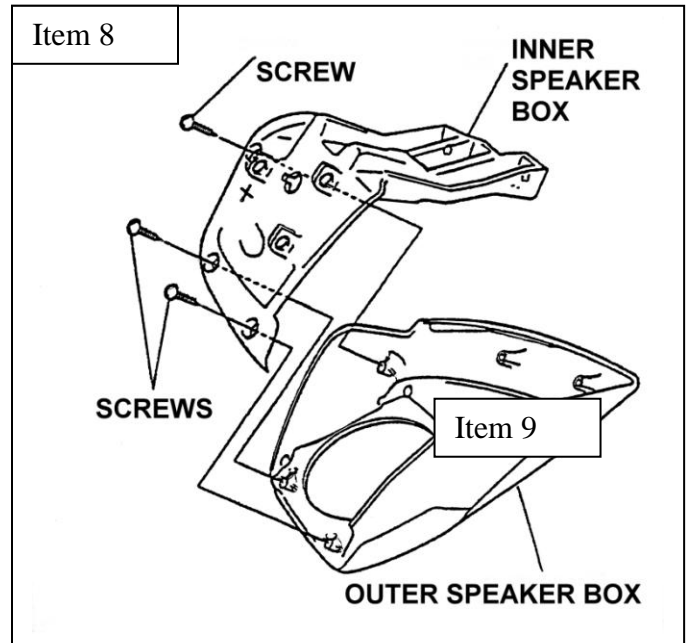
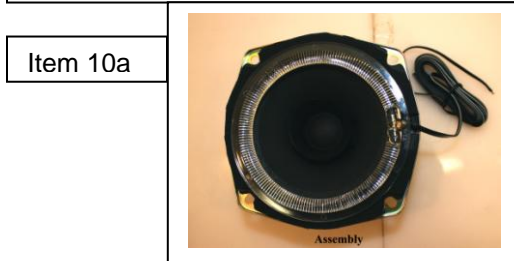
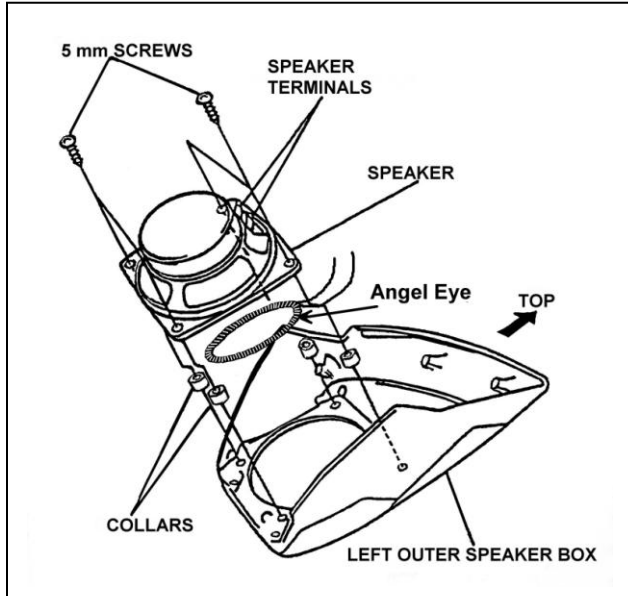
6. Remove the bolts and the trunk lid as described in the Service Manual.

7. Remove the bolts, screws and the right and left speaker boxes from the trunk lid.

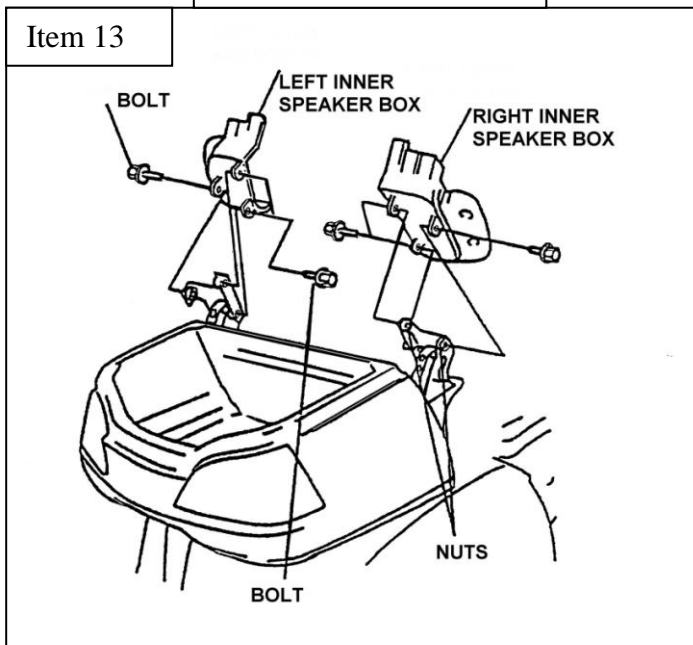
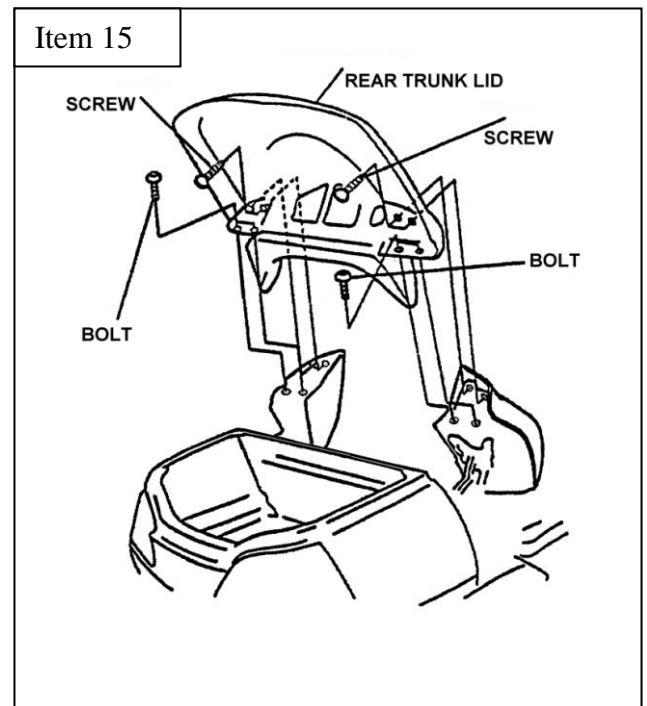


**Instructions 45-1849 Series continued**

- 8. Separate the inner and out speaker boxes.
- 9. Place Angel Eye on speaker outer rim using self adhesive tape. Cut to size as needed.
- 10. Install the speaker unit with Angel Eye light on the left outer speaker box.
- 10a. For 5 inch speakers, use gasket provided and assemble as shown.
- 11. Wire Angel Eye light into accessory unit of your choice. **Black to the ground and black and white to the power.**

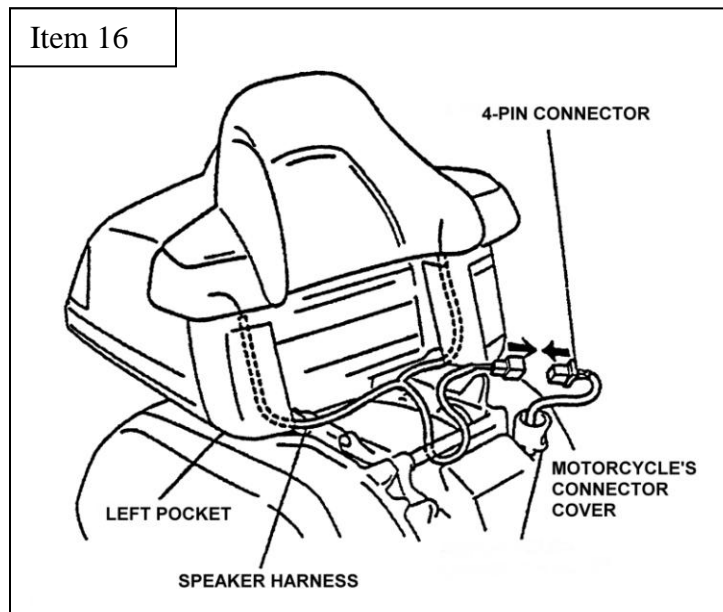


- 12. Repeat on the right side.
- 13. Install the left inner speaker box on the bike.
- 14. Install the rear trunk lid.
- 15. Reinstall the trunk inner lid in the reverse order of removal.



## Instructions 45-1849 Series continued

16. Reinstall the right and left pockets in the reverse order of removal.



17. Connect the negative cable to the battery.

18. Reinstall the seat in the reverse order of removal.