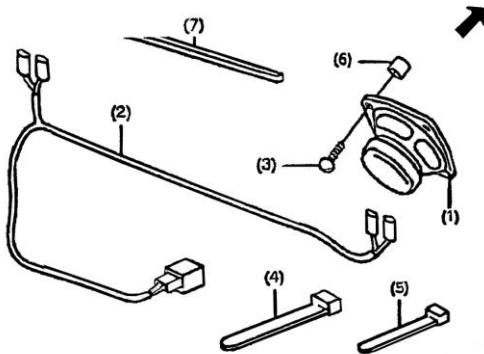




MOUNTING INSTRUCTIONS FOR GL1800 18678-824 Rear Radio Speaker Kit 45-1801-2/3 Wire Harness

Note: Read instructions thoroughly before installing.

Parts List



No.	Description	Qty
1	Speaker Unit	2
2	Speaker Harness	1
3	5 mm Screw	8
4	Wire Tie (Large)	2
5	Wire Tie (Small)	4
6	Collar	8
7	Speaker Seal	1

Tools Required

Phillips® Screwdriver
Electric Drill Motor
Drill Bit (10, 13mm)
Scissors
Torque Wrench

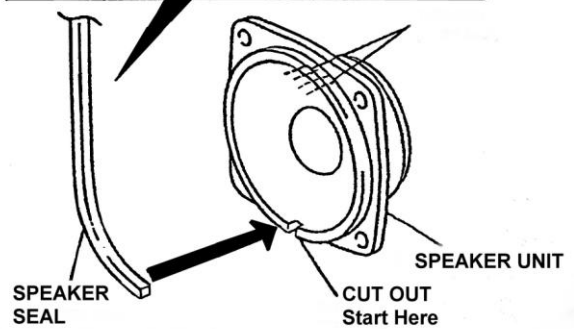
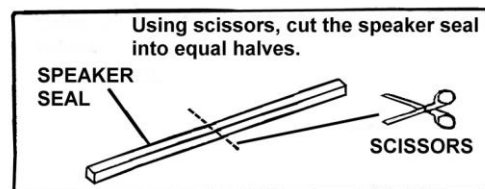
Torque Chart

Be sure to tighten all screws to their specified torque.

Item	n-m	kgf-m	lbf-ft
5 mm Screw	4	0.4	2.9

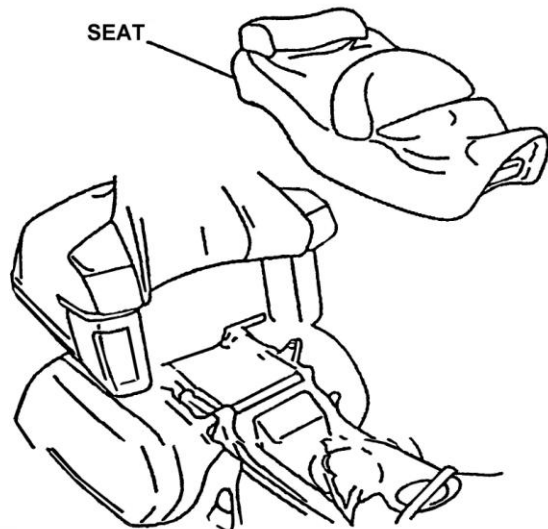
INSTALLATION

1. Apply the speaker seal to the speaker unit starting at a point opposite the terminal. Use care not to cover.



Note: Remove the paper backing from the adhesive before attaching.

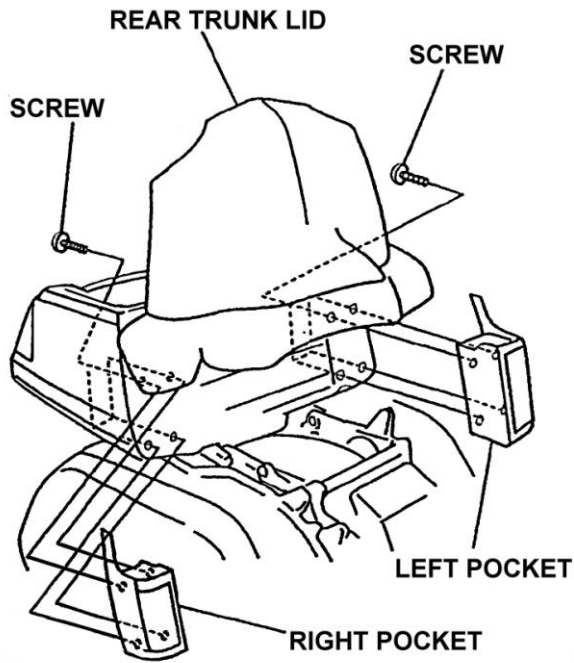
2. Remove the seat as described in the Service Manual.



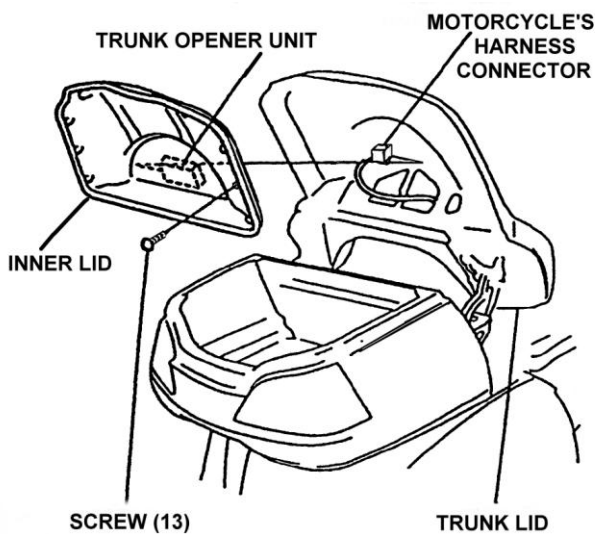
Instructions 18678-824 continued

3. Disconnect the negative cable from the battery.

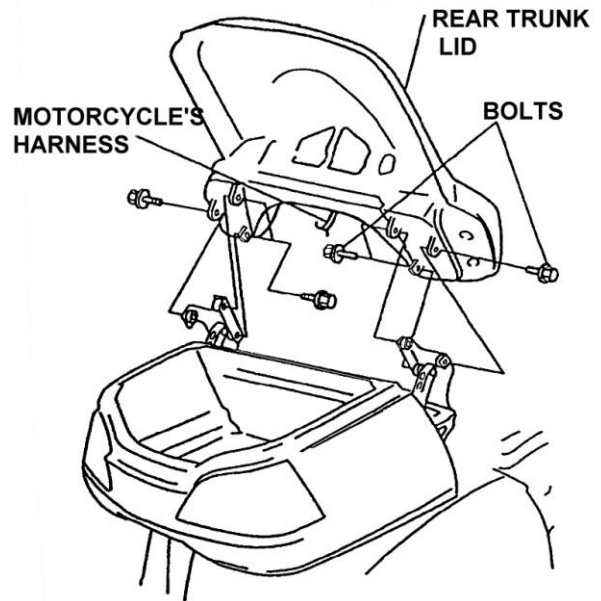
4. Remove the screws and the right and left pockets.



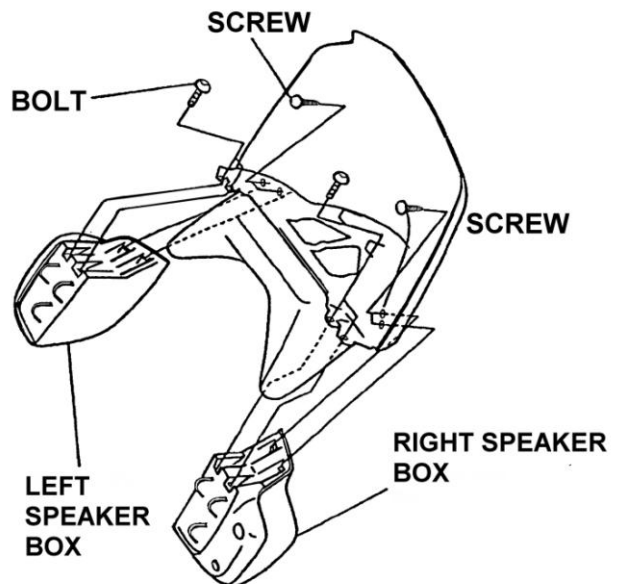
5. Remove the 13 screws and the inner lid from the trunk lid as described in the Service Manual.



6. Remove the bolts and the trunk lid as described in the Service Manual.

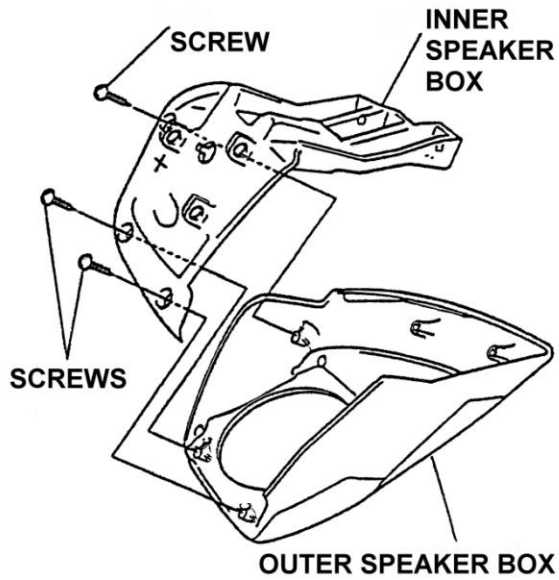


7. Remove the bolts, screws and the right and left speaker boxes from the trunk lid.

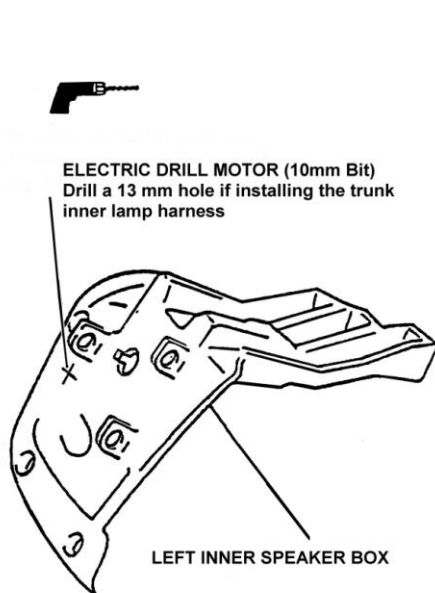


Instructions 18678-824 continued

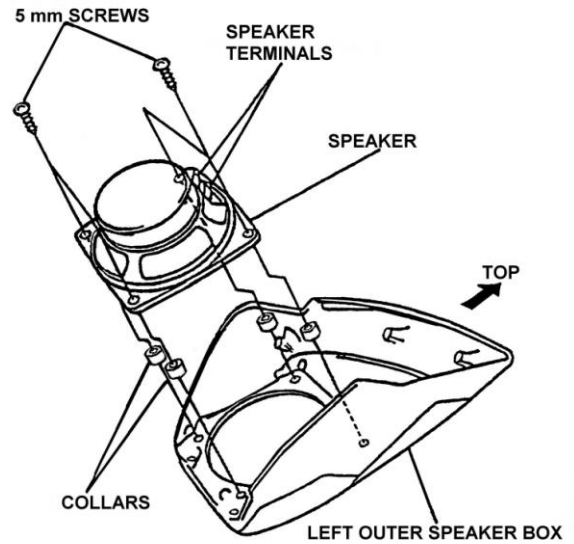
8. Separate the inner and out speaker boxes.



9. Locate a mark on the left speaker box and drill a hole thru the mark using an electric drill motor, starting with a 3 mm, 6 mm and 10 mm drill bit. Remove any burrs from the edge of the hole.

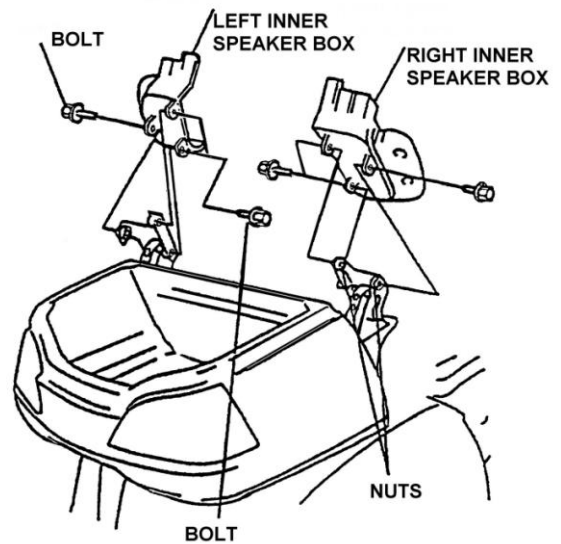


10. Install the speaker unit on the left outer speaker box.



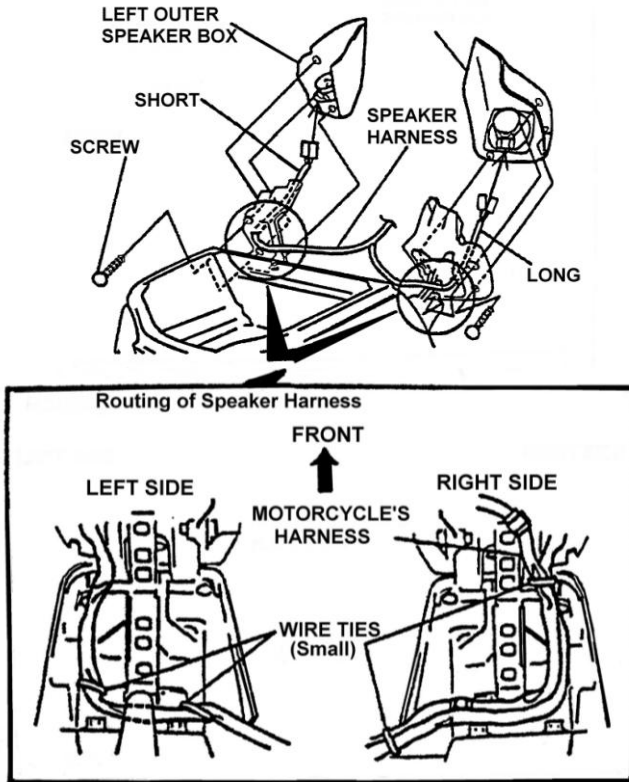
11. Repeat on the right side.

12. Install the left inner speaker box on the bike.

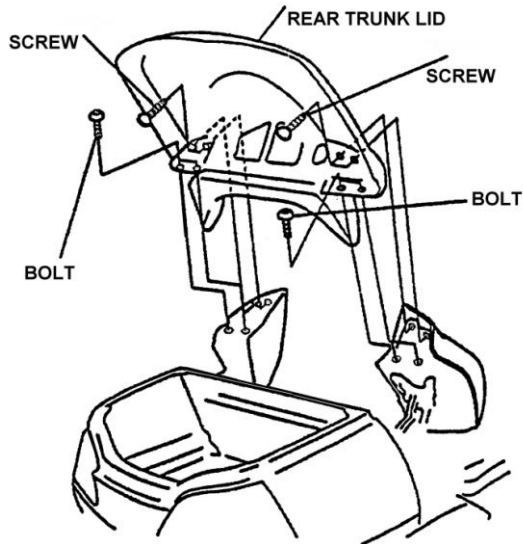


Instructions 18678-824 continued

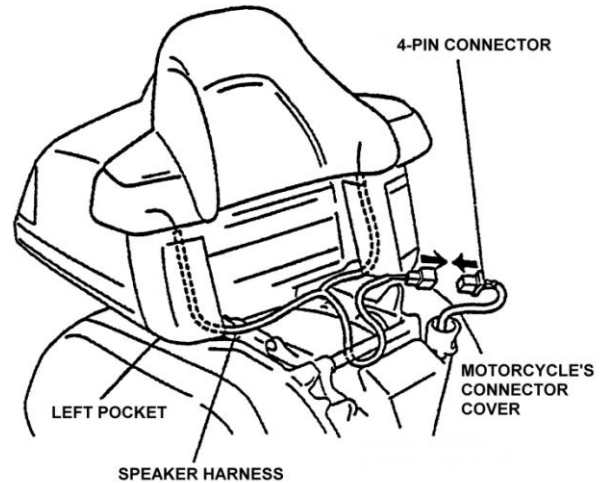
13. Connect the terminals of the speaker harness to the terminals on the speakers and install the outer speaker boxes over the inner speaker boxes. Secure the speaker harness with the wire ties in the areas shown.



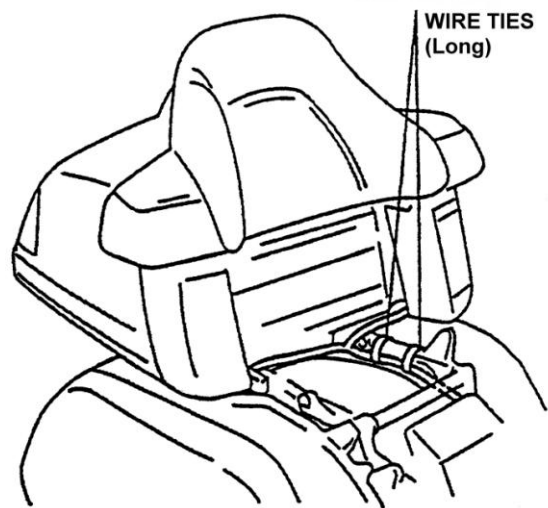
14. Install the rear trunk lid.
15. Reinstall the trunk inner lid in the reverse order of removal.



16. Reinstall the right and left pockets in the reverse order of removal. Route the speaker harness as shown and connect its 4 pin connector to the 4 pin connector of the motorcycle's harness.



17. Secure the harness with the two wire ties in the areas shown.



18. Connect the negative cable to the battery.
19. Reinstall the seat in the reverse order of removal.



PART 45-1801-2/3
GL1800 WIRE HARNESS FOR 18678-824 Rear Speaker Kit
(from 18678-824 instructions)

1. Connect the terminals of the speaker harness to the terminals on the speakers and install the outer speaker boxes over the inner speaker boxes. Secure the speaker harness with the wire ties in the areas shown.
2. Install the rear trunk lid.
3. Reinstall the trunk inner lid in the reverse order of removal.
4. Reinstall the right and left pockets in the reverse order of removal. Route the speaker harness as shown and connect its 4 pin connector to the 4 pin connector of the motorcycle's harness.
5. Secure the harness with the two wire ties in the areas shown.
6. Connect the negative cable to the battery.
7. Reinstall the seat in the reverse order of removal.

