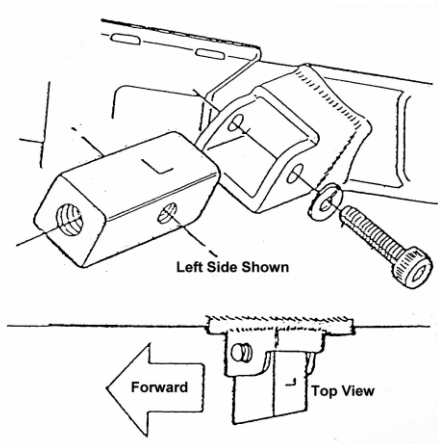


**MOUNTING INSTRUCTIONS FOR
15393-545A1 LOWBOY DRIVER FLOORBOARDS**

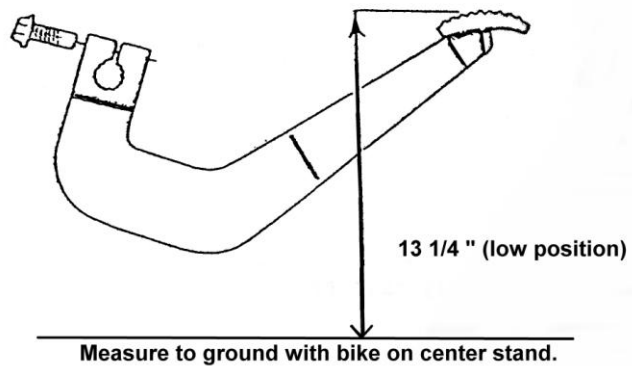
3. Install the left and right rear mount lugs as shown in **figure 2**, using the 8 x 35mm Allen bolts and 5/16" lock washers. Leave these screws loose for now.

Figure 2



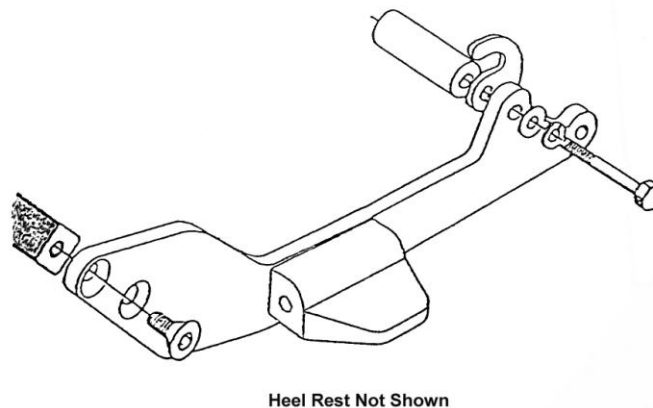
4. Install the brake pedal on the stock shaft as shown in **figure 3**, using the stock brake pedal bolt. Tighten this bolt securely.

Figure 3



5. Install the right hand support on the bike as shown in **figure 4** using with the short (2 1/16") spacer, hanger bracket, 8 x 90mm bolt and 5/16" lock and flat washers provided. Then attach the guard hanger bracket hooks around the guard tube and 12mm flathead screw at the rear mount. Start the threads on both fasteners and then securely tighten both. At this time, securely tighten the 8 x 35mm Allen bolt that secures the rear lug to the frame.

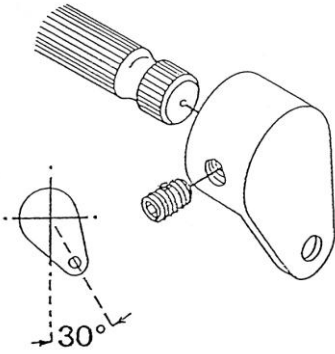
Figure 4



MOUNTING INSTRUCTIONS FOR
15393-545A1 LOWBOY DRIVER FLOORBOARDS

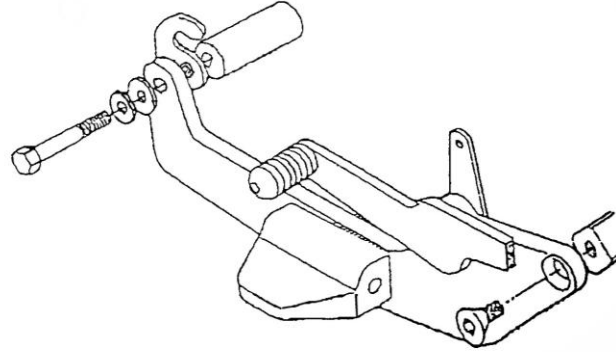
6. Install the shifter bell crank on the stock shift using the provided 1/4" set screw and hex key. Tighten the set-screw securely. See **figure 5**.

Figure 5



7. Install the left hand support on the bike as shown in **figure 6** using the same assortment of fasteners as the right's support. Start both fasteners and then securely tighten both once again. Tighten the 8 - 1.25 X 35mm Allen bolt on the rear lug now

Figure 6



8. Unscrew one end of the shift linkage rod and then slide the linkage cover onto the shaft. **Figure 7**. Assemble the linkage rod, leaving the jam nuts loose for now. Fasten the linkage rod to the bell crank and the shift lever as shown in **figure 8**, using the 5/16" x 7/8" Allen bolts and hex half nylock nuts. Tighten these two bolts securely.

Figure 7

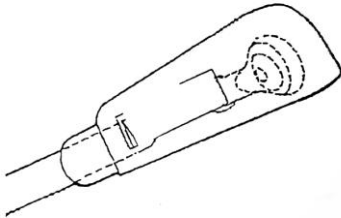
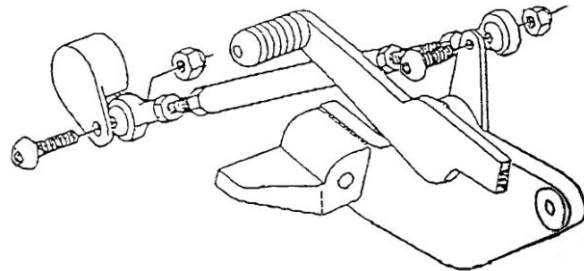


Figure 8



9. Install the left and right floorboards on the supports as shown in **figure 9** using the 1/4 x 1" Allen bolts and hex half nylock nuts. Tighten these bolts so the boards pivot with just a little pressure.

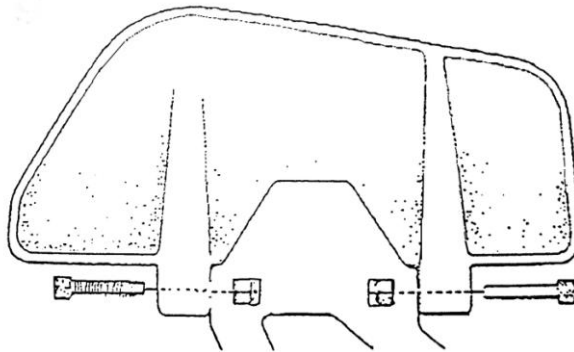


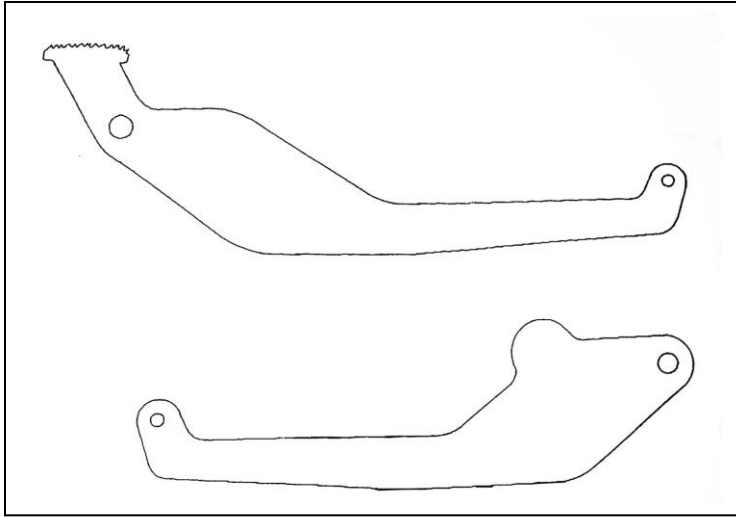
Figure 9

Slide the nylonlock nuts into the slots.

**MOUNTING INSTRUCTIONS FOR
15393-545A1 LOWBOY DRIVER FLOORBOARDS**

10. Adjust the shifter up or down to suit your preference by turning the linkage rod. When satisfied, tighten the jam nuts at either end and then slide the rubber cover over the rod end and fastening bolt.

Note: After adjusting the shifter, make sure the lever does not bottom out on the floorboard before completing its travel.



Brake Mount (Top) Shifter Mount (Bottom)



Shifter Side



Brake Side

11. Reinstall the left and right engine covers and the muffler cover and then double check all nuts and bolts for tightness. Installation is now complete.

NOTE: On high mileage motorcycles with excessive shifter play, it may be necessary to remove one lock nut from shifter linkage to bring the shifter linkage to its minimum length. This will prevent forward shifter pad from contacting cam cover.



Normal Linkage



Shortened Linkage

SUPPLEMENTAL

MOUNTING INSTRUCTIONS FOR 15393-545A1 LOWBOY DRIVER FLOORBOARDS

READ INSTRUCTION THOROUGHLY BEFORE INSTALLING

NOTE: On high mileage motorcycles with excessive shifter play, it may be necessary to remove one lock nut from shifter linkage to bring the shifter linkage to its minimum length. This will prevent forward shifter pad from contacting cam cover.



Normal Linkage



Shortened Linkage

When installing front shifter pad, place the flat washer between shifter arm and shifter pad bracket. The shifter pad bracket is designed to allow the pad to swivel to the contour of the valve cover.

