



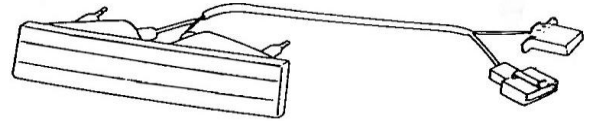
Installation Instructions

Part 08170-MN520 Tail Light GL-1500

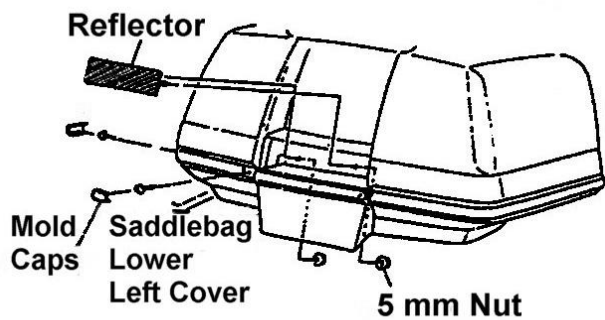
Read instructions thoroughly before installing.

Tools Required:

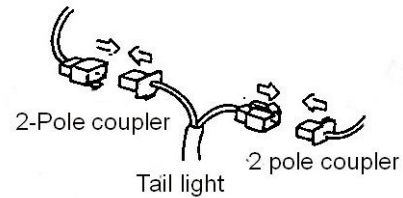
- Phillips Screwdriver
- Flat Head Screwdriver



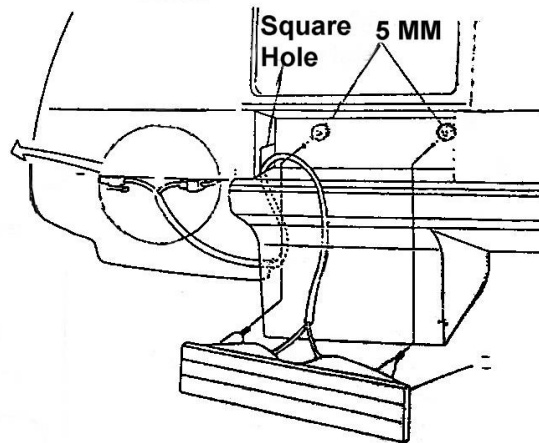
1. Remove the rear reflector and the lower rear saddlebag cover.



CONNECTION DIAGRAM
Tail & stop light left



2. Disconnect the left side tail light/stop light connectors and connect the plugs from the new center light in series as shown.



3. Install the center tail light using the reflector.
4. Undo the saddlebag lower cover.
5. Remount the mold caps in the original positions in the original positions.