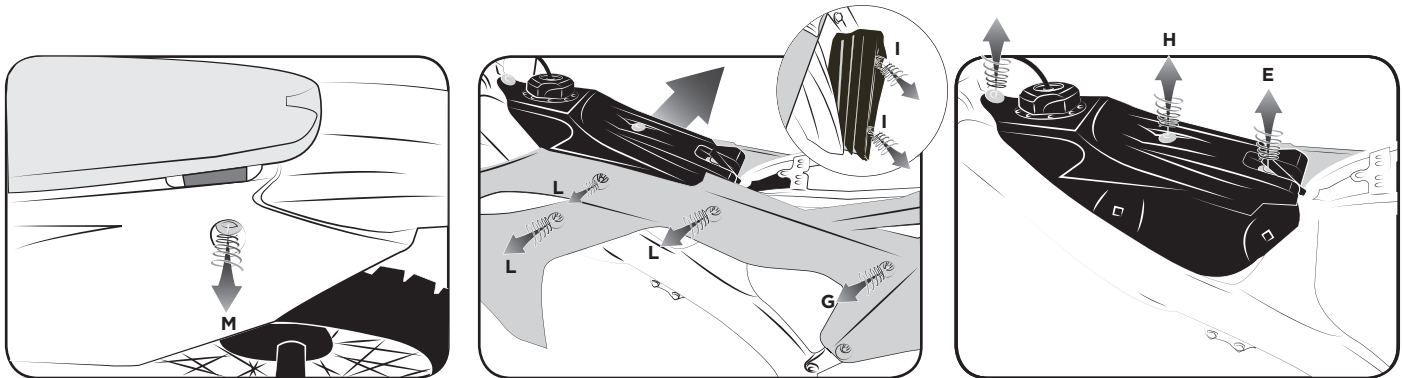
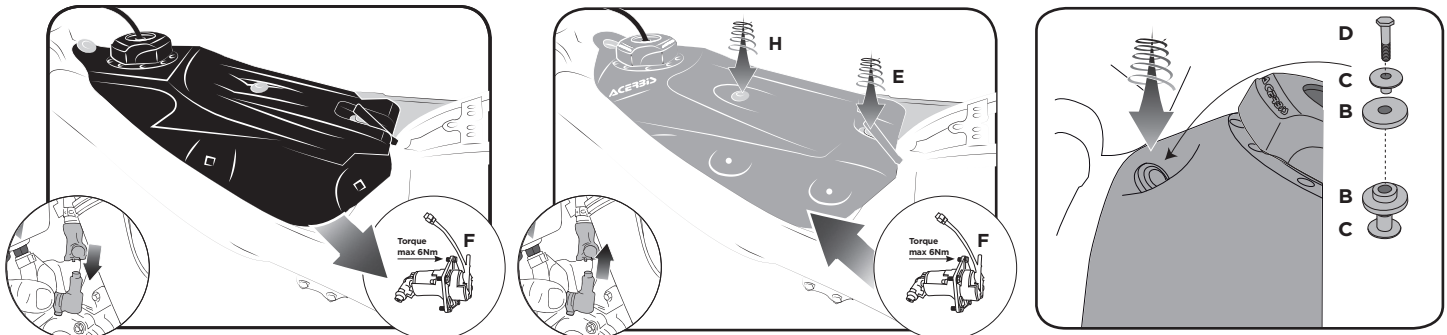


COD. 5000005628

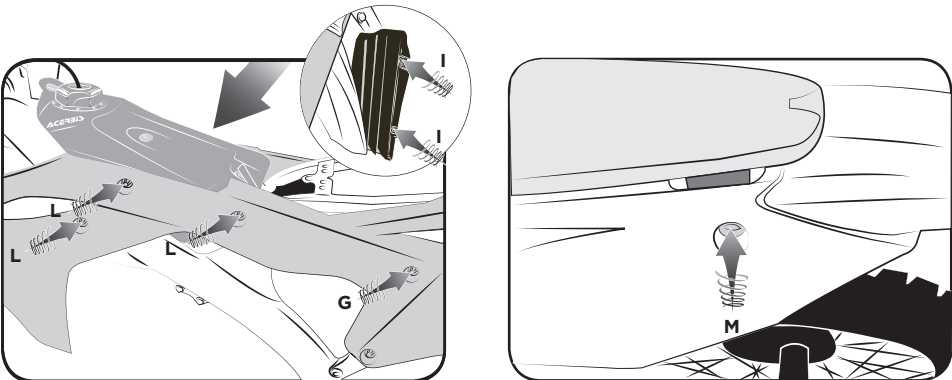
ACERBIS PARTS				O.E.M ITEMS TO USE:			
A - (1 pcs.)	B - (2 pcs.)	C - (2 pcs.)	D - (1 pcs.)	M - (2 pcs.)	L - (6 pcs.)	I - (4 pcs.)	F - (1 pcs.)
				E - (1 pcs.)	H - (1 pcs.)	G - (2 pcs.)	



1. Remove the two saddle screws.
2. Remove the lateral screws of the side panels and the two front screws at the radiator height.
3. Unfasten the elastic and remove the three tank screws.



4. Empty the petrol from the tank, disconnect the systems and remove the pump.
5. Install the Acerbis tank, the pump and attach the systems. Tighten the two tank screws.
6. Tighten the front screw of the tank and fasten the elastic.



7. Tighten the side screws of the side panels and the two front screws at the height of the radiators.
8. Tighten the two saddle screws.