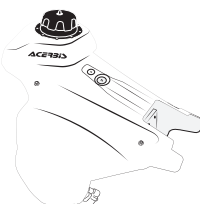












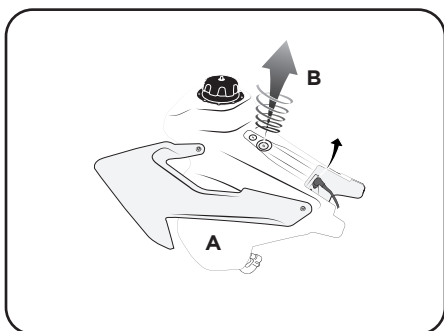


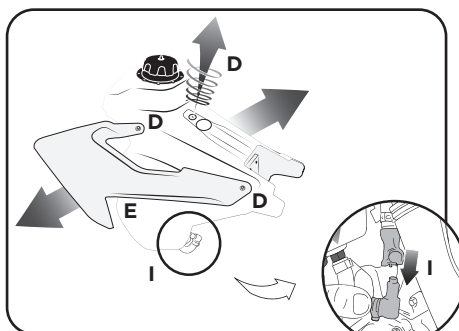
FUEL INJECTED FC 16/17 FE 2017

COD. 500005413 REV1

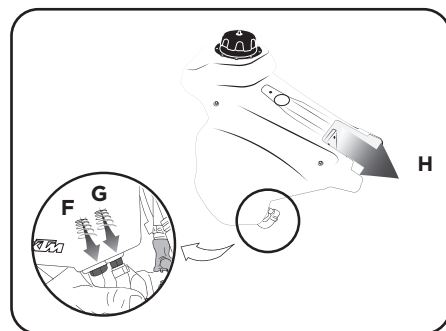
ACERBIS PARTS	O.E.M ITEMS TO USE:	ACERBIS PARTS ONLY FOR US TANKS
 <p>A - (1 pcs.)</p>  <p>C - (1 pcs.)</p>	 <p>B - (1 pcs.)</p>  <p>I - (1 pcs.)</p>  <p>F - (1 pcs.)</p>  <p>H - (1 pcs.)</p>  <p>G - (1 pcs.)</p>  <p>D - (5 pcs.)</p>  <p>E - (6 pcs.)</p>	 <p>G - (1 pcs.)</p>  <p>F - (1 pcs.)</p>  <p>D - (5 pcs.)</p>  <p>E - (6 pcs.)</p>



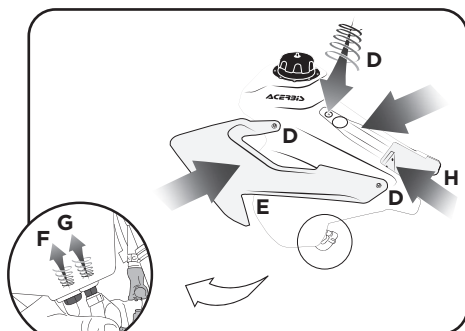
1. Remove the tank screws. Disconnect the fuel pump power cable.



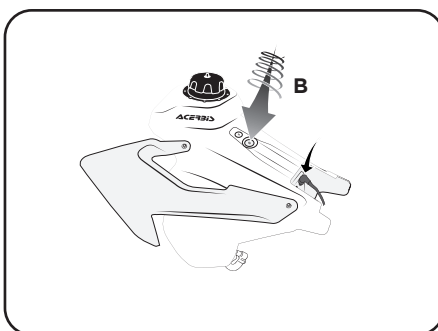
2. Remove the radiator scoops, the seat screw, and the Husqvarna tank.



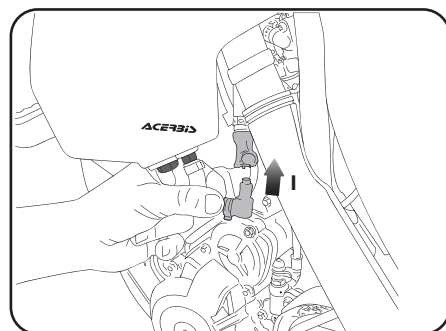
3. Empty your fuel tank completely, remove the fasteners and disconnect the fuel connector by unscrewing the four pump screw.



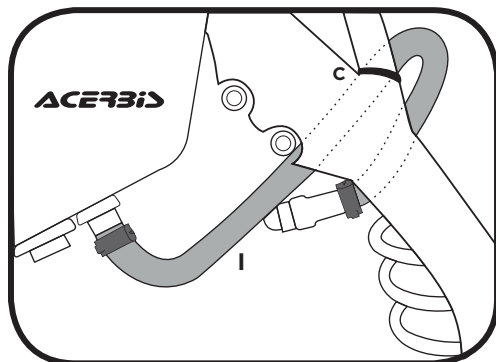
4. Insert the seat screw (2,5KN - 22INH), assemble the radiator scoops, fasteners on the Acerbis fuel tank and reconnect the fuel connector by screwing the four pump screw (3KN - 26INH).



5. Arrange the tank on the bike, reconnect the fuel pump power cable and screw the tank screw back on.



6. Reconnect the fuel connector.



ATTENTION: Pump hose mounting detail

Fix the pump hose HUSQVARNA as illustrated: use the Acerbis strap included make sure that the hose doesn't fold obstructing the fluid.