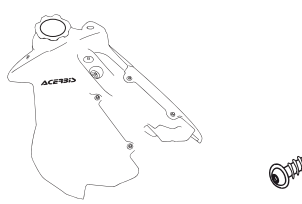


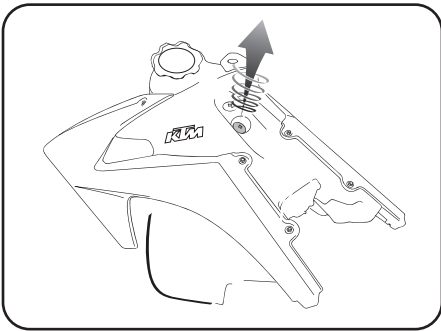
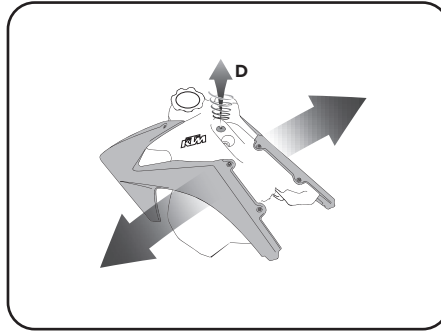


COD. 500005481 REV1

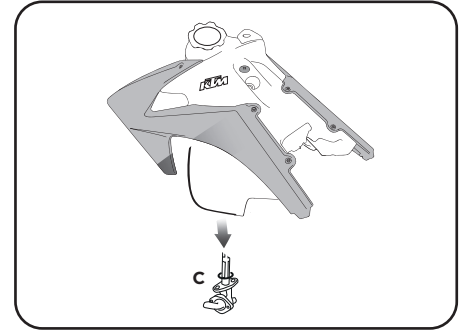
ACERBIS PARTS	O.E.M ITEMS TO USE:	ACERBIS PARTS ONLY FOR US TANKS
 <p><b>A</b> - (1 pcs.)      <b>B</b> - (4 pcs.)</p>	 <p><b>C</b> - (1 pcs.)      <b>D</b> - (1 pcs.)</p>	 <p><b>D</b> - (1 pcs.)      <b>E</b> - (6 pcs.)</p>



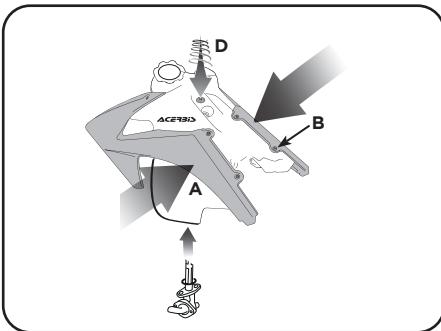
**1.** Remove the tank screws.



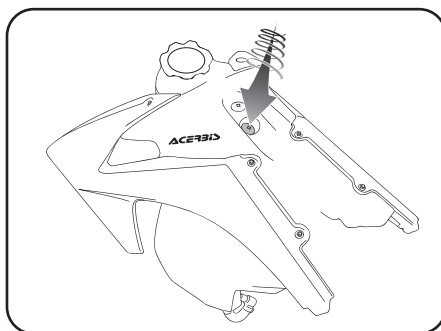
**2.** Remove the radiator scoops, the seat screw, the KTM tank.



**3.** Empty your fuel tank completely and and remove the petcock C.



**4.** Insert the seat screw, assemble the radiator scoops, reconnect the petcock on the Acerbis fuel tank.



**5.** Arrange the tank on the bike, and screw the tank screw back on.