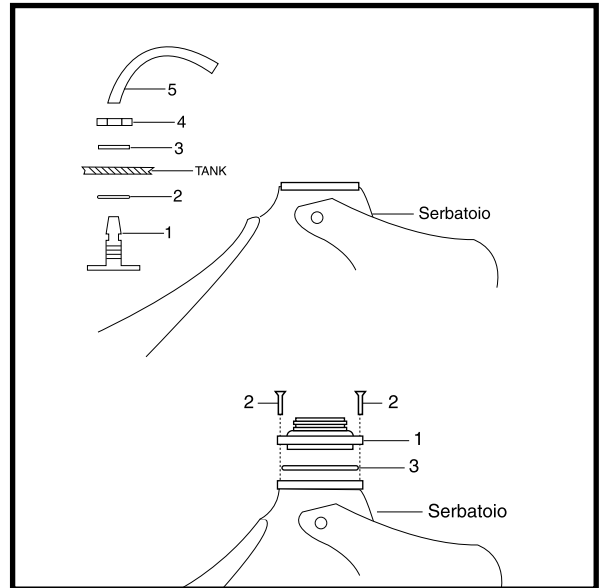
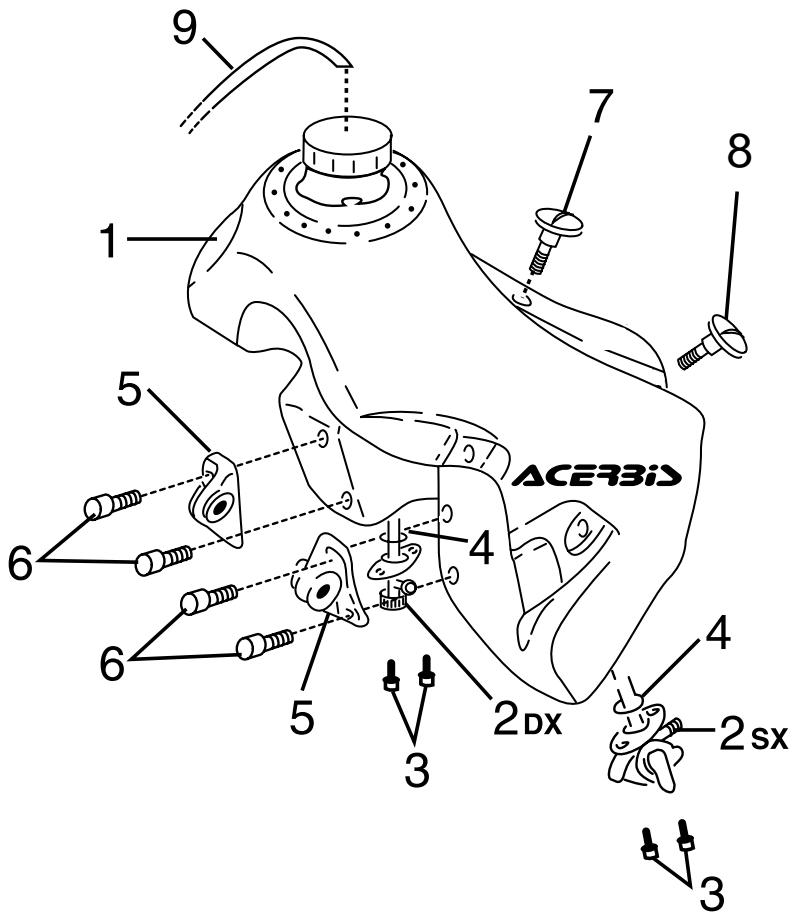




# ACERBIS®



## We thank you for choosing an ORIGINAL ACERBIS PRODUCT! ASSEMBLY INSTRUCTIONS

- Dismount the original fuel tank.
  - Apply to the ACERBIS fuel tank (1) the petcocks (2) using the screws (3) and the gaskets provided in the kit. Mount the plates (5) with the original screws (6).
  - The mounting of the right petcock (2dx) is optional, drill a 10 mm. diameter hole in the tank in order to apply it.
  - Position the fuel tank (1) on the motorcycle and fasten it to the frame tightening the plates (5).
  - Apply the original screws (7) and (8)
  - Apply the ACERBIS tap and the rubber tube (9) in the mounting kit. For the metallic inserts contained in the fuel tank a maximum clamping torque equal to 7.37 lbf.ft. is guaranteed.
- Quick tap
- Drill an 8 mm hole in the ACERBIS fuel tank and insert the fuel vent (1) using the gasket (2), the washer (3) and the nut (4) in the kit. Apply the rubber tube to the fuel vent.
- Acerbis tap holder
- Fasten the ACERBIS tap holder in aluminum (1) utilizing the screws (2) and the gasket (3) in the mounting kit.
  - Apply the ACERBIS tap with the rubber tube provided in the kit.

**ACERBIS - REAL PLASTIC FOR REAL LIFE**