
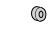

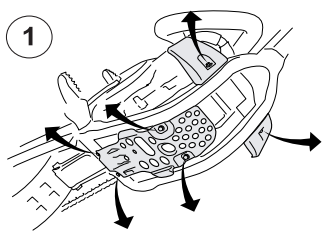
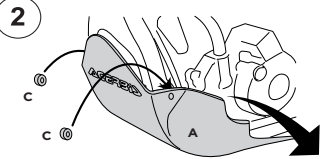


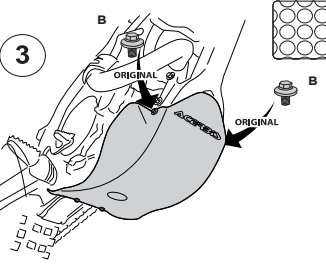
COD. 500001990 REV.5

**KAWASAKI 250 KXF** CODE: 0013519



ACERBIS PARTS		O.E.M ITEMS TO USE:
 A - (1 pcs.)	 C - (2 pcs.)	 B - (2 pcs.)

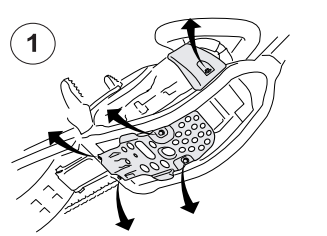
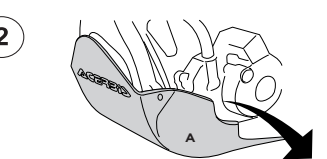
- 
- 

Templated included if you want to drill your own holes for venting

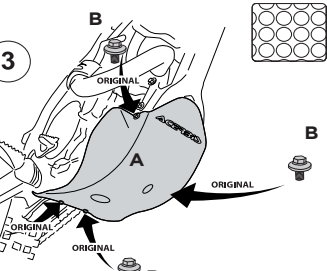
- 

**KAWASAKI 450 KXF** CODE: 0013539



ACERBIS PARTS		O.E.M ITEMS TO USE:
 A - (1 pcs.)		 B - (4 pcs.)

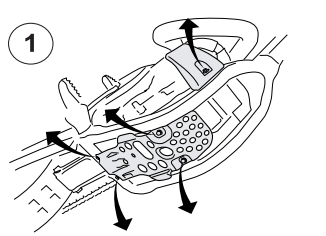
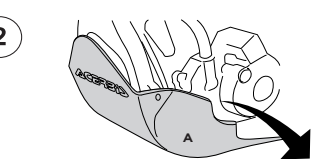
- 
- 

Templated included if you want to drill your own holes for venting

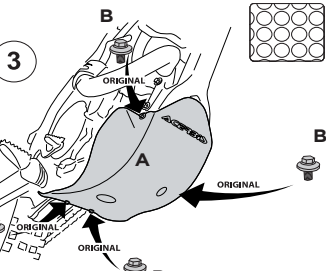
- 

**KAWASAKI 450 KXF** CODE: 0021932






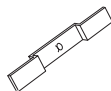

ACERBIS PARTS		O.E.M ITEMS TO USE:
 A - (1 pcs.)		 B - (4 pcs.)

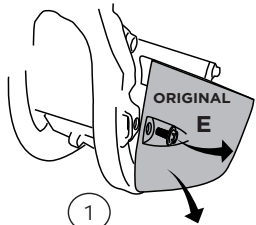
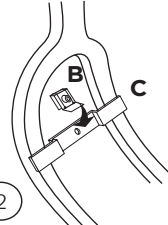
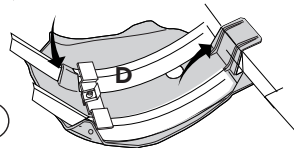
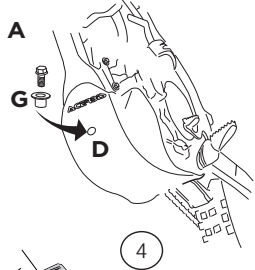
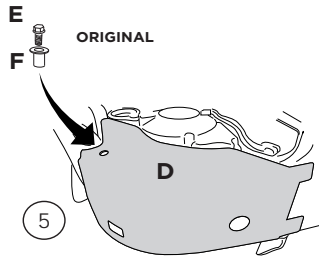
- 
- 

Templated included if you want to drill your own holes for venting

- 

**HONDA CRF 250/450** CODE: 0013540/0013922

ACERBIS PARTS						O.E.M ITEMS TO USE:
 G - (1 pcs.)	 F - (1 pcs.)	 D - (1 pcs.)	 A - (1 pcs.)	 B - (1 pcs.)	 C - (1 pcs.)	 E - (1 pcs.)

- 
- 
- 
- 
- 

Templated included if you want to drill your own holes for venting

**WARNING!**  
Follow mounting instruction exactly. Ensure that the mounting is secure before riding.