

COD. 500002037 REV.1

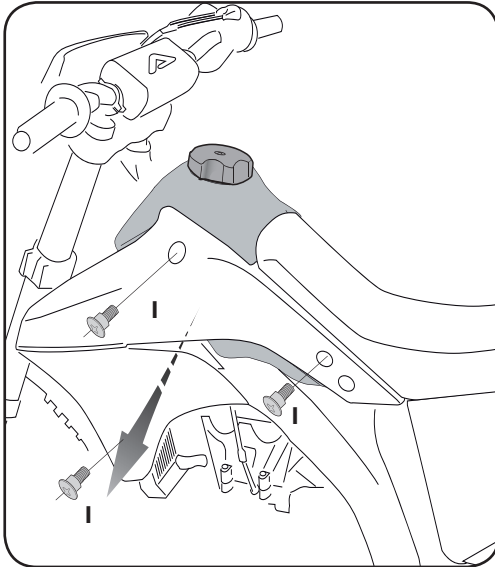
CRF 450 - 2009/2012 CRF 250 - 2010/2013

ACERBIS PARTS

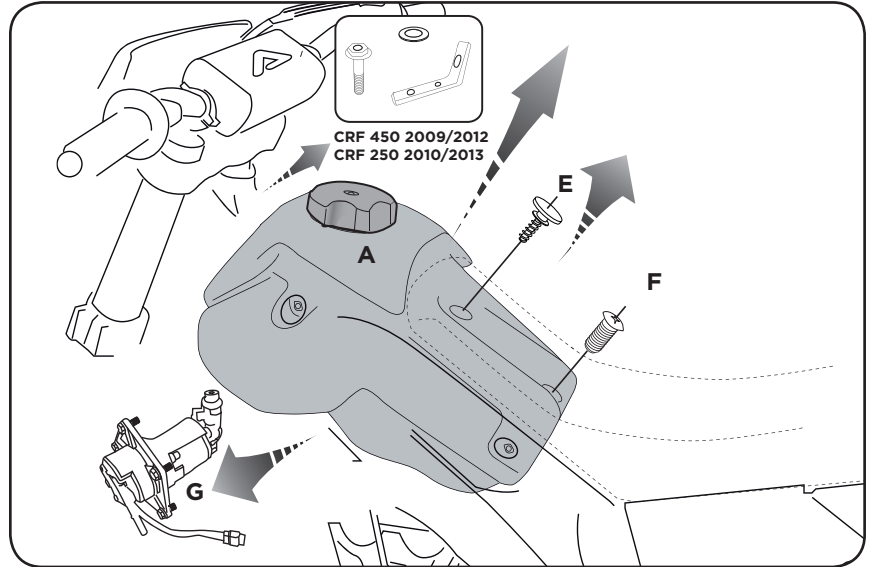
O.E.M ITEMS TO USE:

CRF 450 - 2013

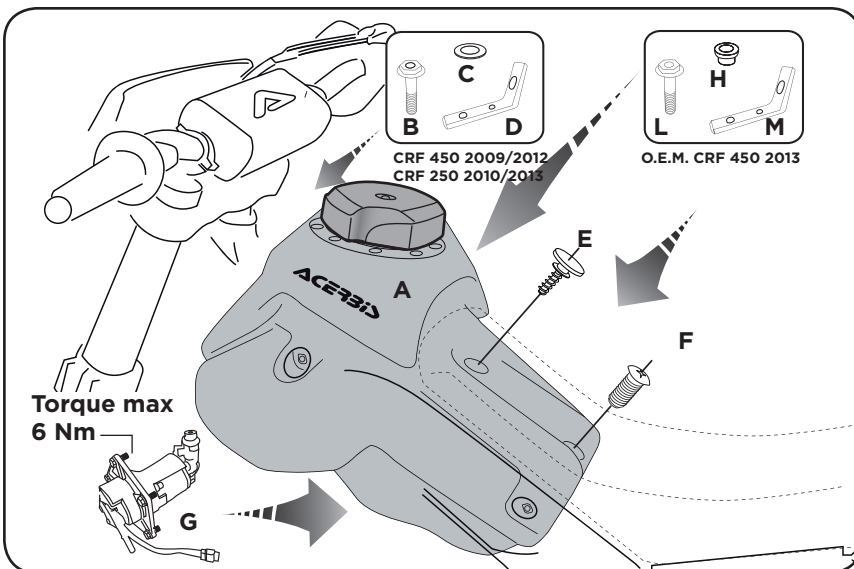
O.E.M ITEMS TO USE:



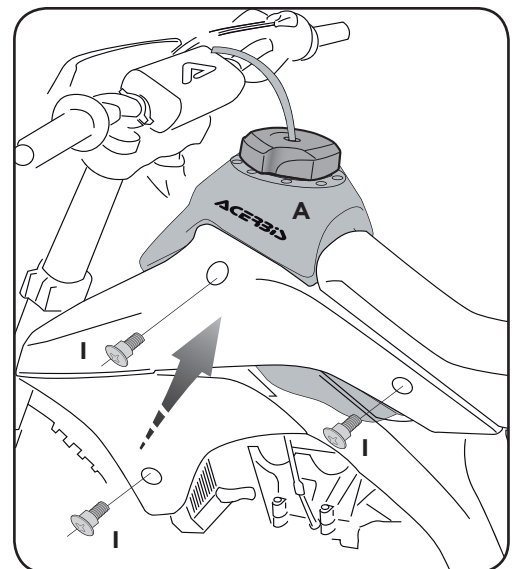
1. Remove original radiator scoops.



2. Remove from the original tank the front fixing bracket with relative screw and washer, the seat fixing screw (E), the tank fixing screw (F) and the fuel pump (G).



3. Fix on the acerbis tank the original fuel pump (G), the seat fixing screw (E) and the tank fixing screw (F), for the front fixing point use the braket (D) the screw (B) and the washer (C) supplied bye acerbis (for the model CFR 450 2013 use the original component (L-M-H).



4. Fix the tank on the bike and fix the original radiator scoop.