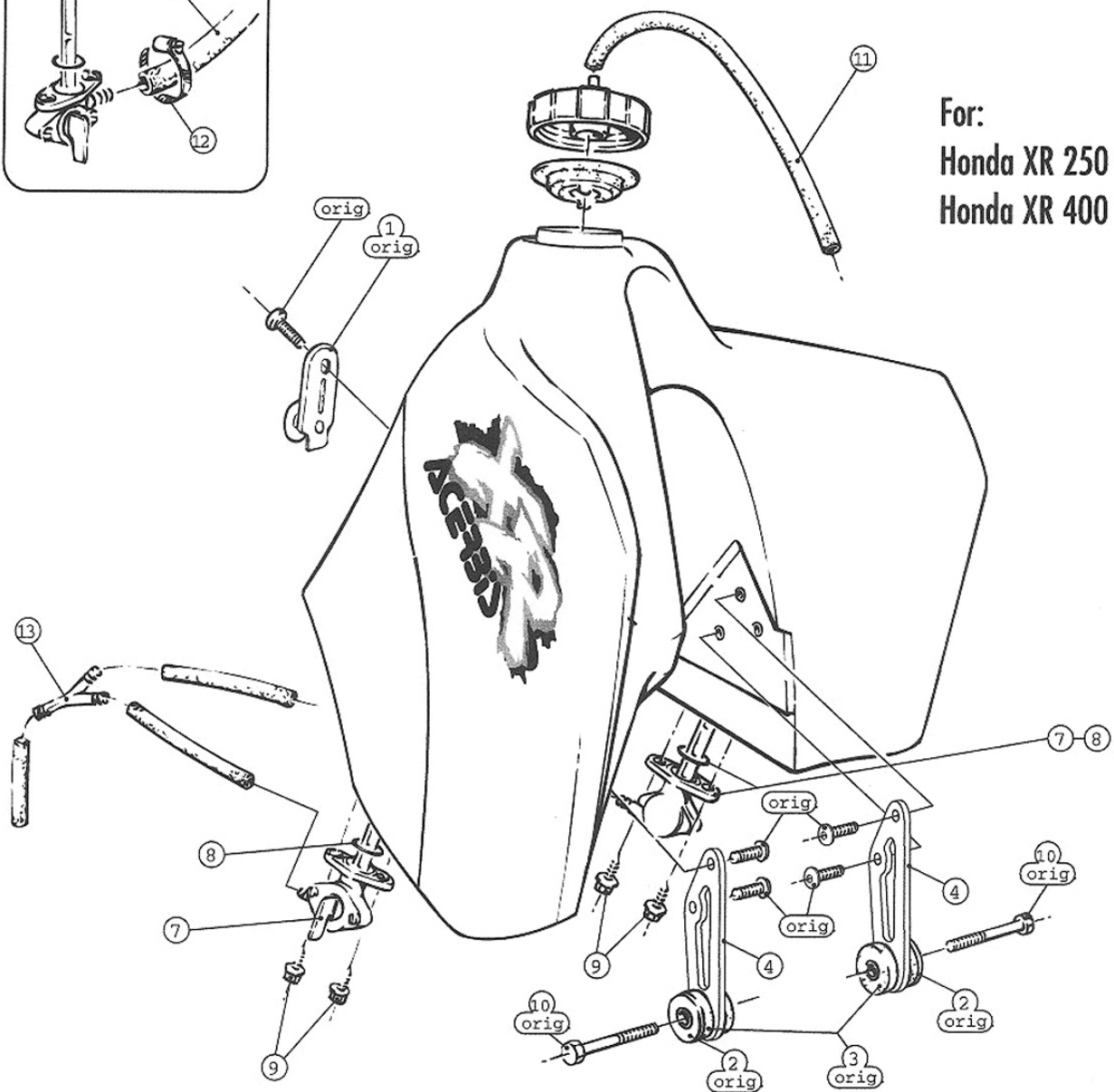
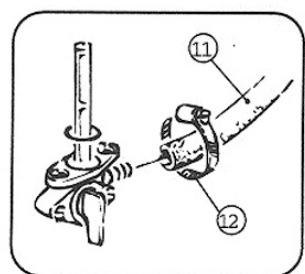


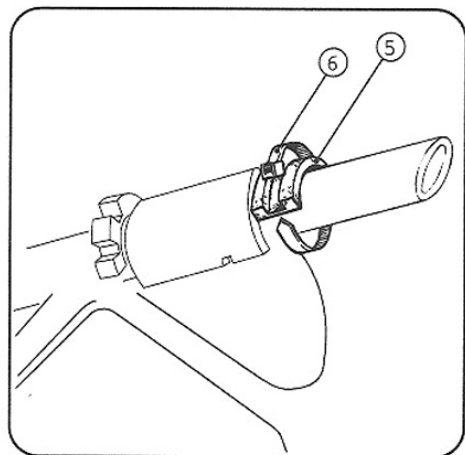


ACERBIS®

MOUNTING INSTRUCTION



For:
Honda XR 250 '96
Honda XR 400 '96



WARNING! Do not ride unless the cap is fully and properly installed. Do not ride if the tank is leaking. Failure to heed this warning can lead to fire and explosion. Gasoline is extremely flammable. Gasoline is highly toxic. Avoid breathing of vapors and avoid skin contact. First Aid: External: Flush with water. Internal: DO NOT induce vomiting. Take activated charcoal in solution. Seek medical help immediately!

We thank you for choosing an ORIGINAL ACERBIS PRODUCT! ASSEMBLY INSTRUCTION

- 1) Remove the seat and the original gas tank.
- 2) Dismount the plate (1) from the original gas tank and fasten with the original screw to the upper insert (600) of the ACERBIS gas tank.
- 2A) For XR250 only: Remove fastening seat screw from the original gas tank and fasten to the upper insert (600) of the ACERBIS gas tank.
- 3) Remove the bolts (2) and rubbers (3) from the original brackets and insert into the ACERBIS brackets (4).
- 4) Fasten the ACERBIS brackets (4) to the gas tank (see inserts 600) using the original screws. Brackets must be turned towards the ground (see design).
- 5) Mount the ACERBIS pet-cocks (7) and the OR (8) with the screws (9) provided in the mounting kit.
- 6) For XR400 only: Insert the ACERBIS rubber (5) into the frame and fasten it with the clamp (6).
- 7) Position ACERBIS gas tank on the bike and fasten with the original screws (10).
- 9) Join the pet-cock and the carburator using the gas hose (30 cm) and block the ends with the clamps (12) provided in the mounting kit.
- 10) Attach the second part of the gas tube (11) to the gas cap.
- 11) Remount the seat.

ACERBIS - REAL PLASTIC FOR REAL LIFE

Descr.	Quantity
(4) bracket	2
(5) rubber	1
(6) clamp	1
(7) pet-cock	2
(8) OR	2
(9) screw	4
(11) gas tube	cm60
(12) metal clamp	2
(13) fuel line Y fitting	1
gas tank	1
gas cap	1