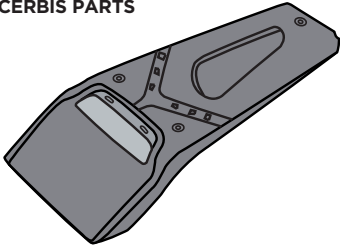
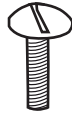


ACERBIS PARTS



A - (1 pcs.)



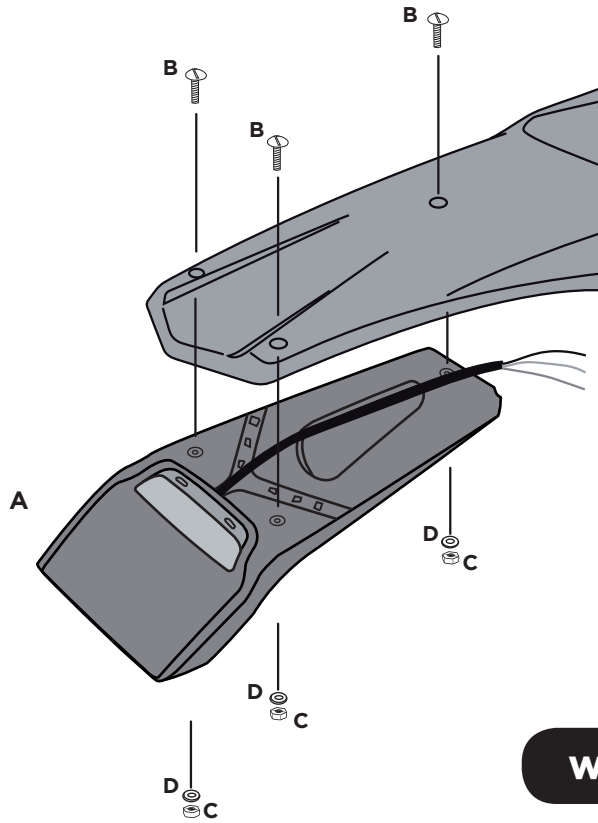
B - (3 pcs.)



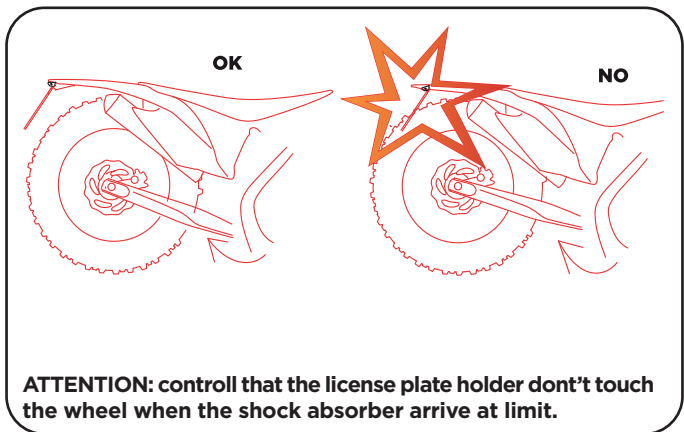
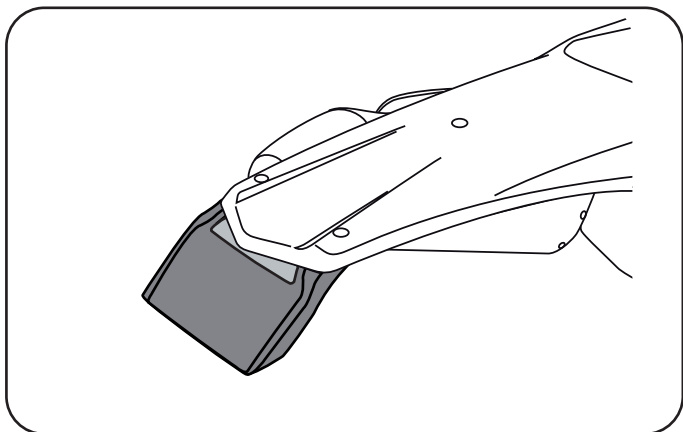
C - (3 pcs.)



D - (3 pcs.)



WARNING! MAX 16V DC



ATTENTION: control that the license plate holder don't touch the wheel when the shock absorber arrive at limit.

WARNING! Of road motorcycle lights regularly fail through vibration. Always check your lights before riding at night.
 Be sure you follow the installation instructions exactly. If the headlamps fall off, it can jam the front wheel. Do not secure cables with number plate mounting straps. Use the guides provided. Before riding, check that all cables, hoses, and controls function properly. The rubber mounting straps are subject to deterioration from atmospheric pollutants. Always inspect them before riding. Never ride unless all four are properly installed and in good condition.