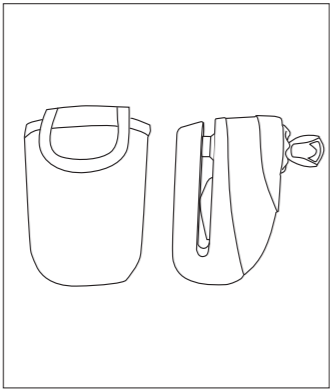




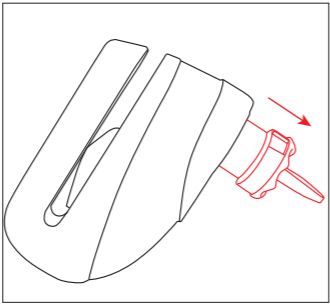
**ABUS 8008  
Detecto**



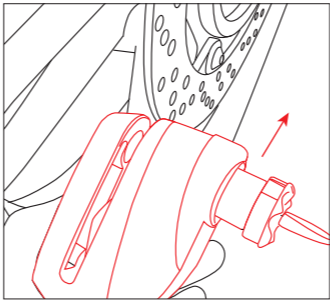
**1**



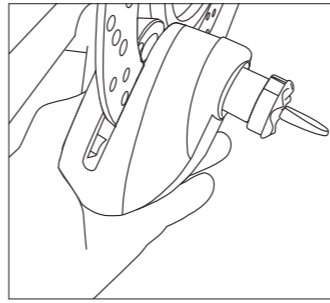
**2**



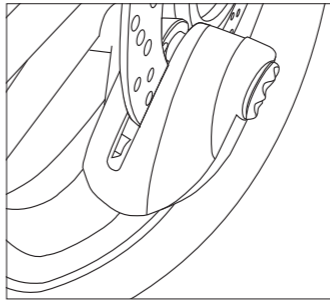
**3**



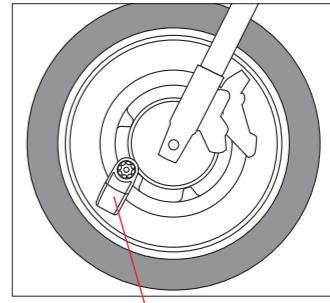
**4**



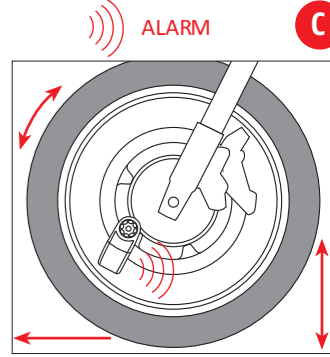
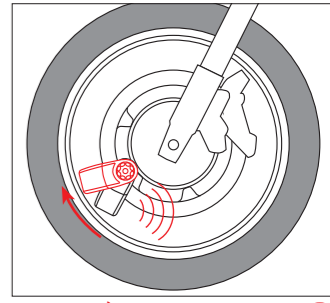
**5**



**6**



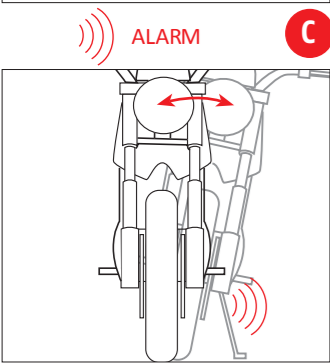
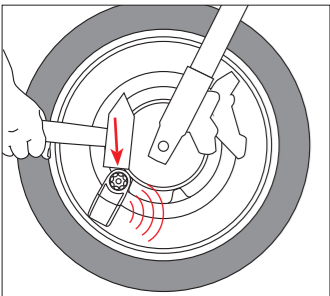
**7**



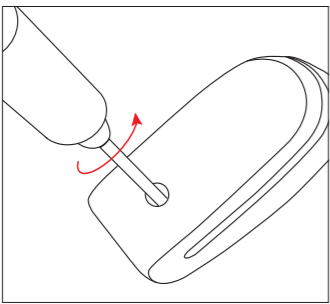
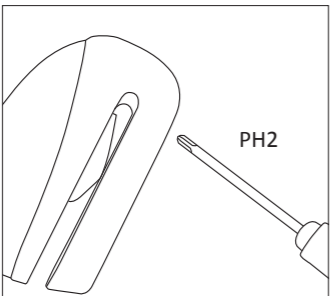
Activation  
4 sec => ))) 1x BEEP!



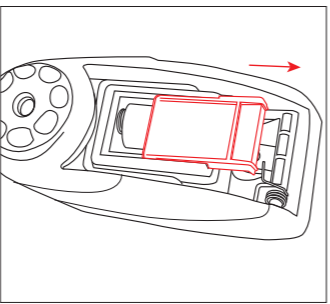
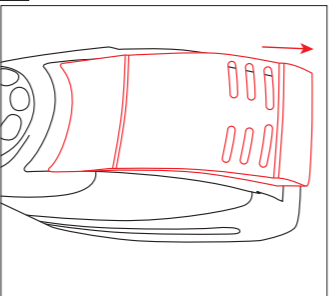
**7**



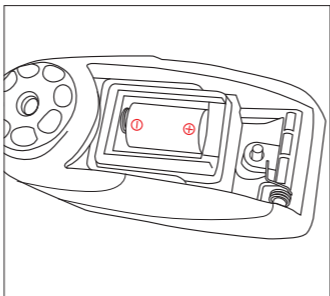
**8**



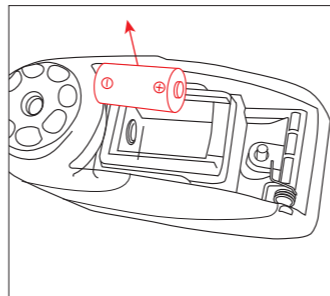
**9**



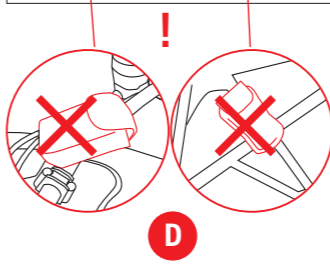
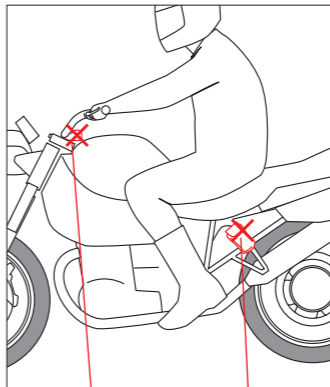
**10**



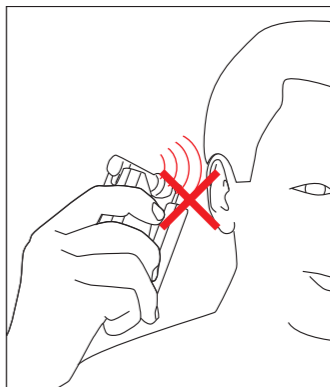
**11**



**12**



**13**



**A**

**B**

**D**

By fitting the lock to the brake disc, the alarm function is automatically activated.

- A** Activation of the alarm is signalled by a beep sound. After fitting the lock (signalled by a warning tone), quickly remove the key (four seconds until the alarm is activated).
- B** Low battery warning: three short beep sounds. Activation of the alarm is acknowledged after six seconds by a beep sound. Batteries should be replaced immediately.
- C** The alarm is triggered by any movement or vibration of the activated lock (3D position system) (see Figures 6, 7). The alarm automatically switches off again approx. 15 seconds after it is triggered, and the system is then reactivated.
- D** Safety note: The lock must not be transported on the outside of the motorcycle when driving (risk of accident).

Note: Do not short-circuit the batteries; do not throw them into fire and do not charge.

Batteries may be returned after use.

ABUS is not liable to damages or inquiries caused by inappropriate mounting. Any legal rights remain unaffected. Subject to technical modifications.