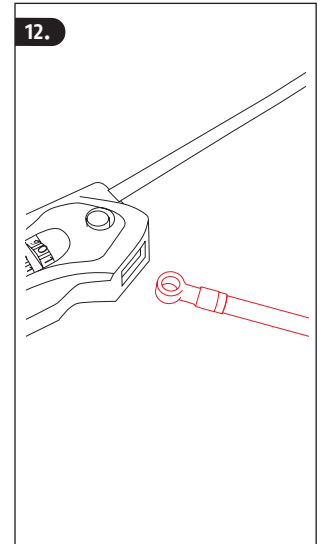
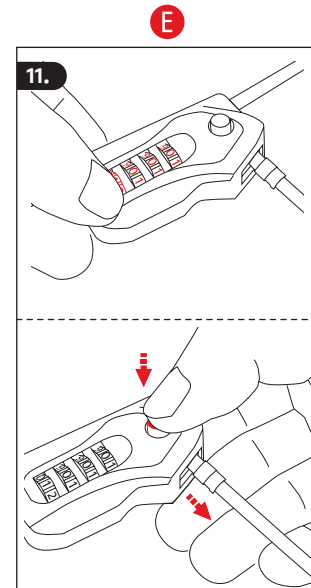
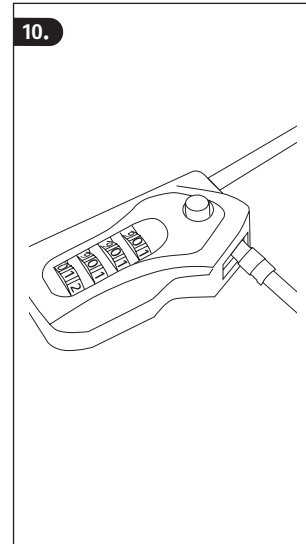
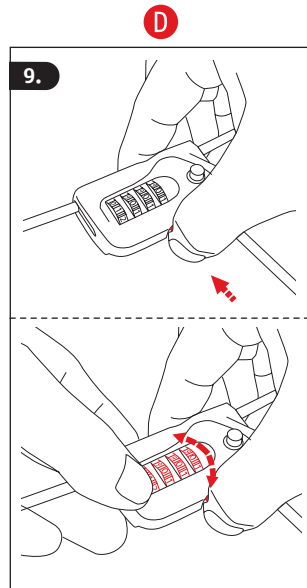
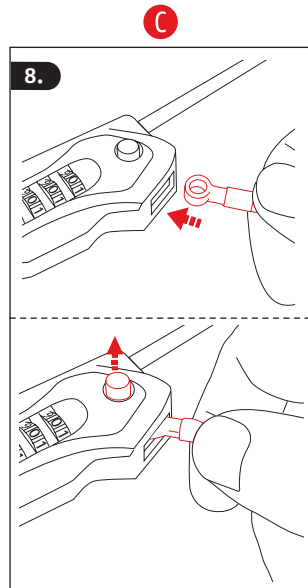
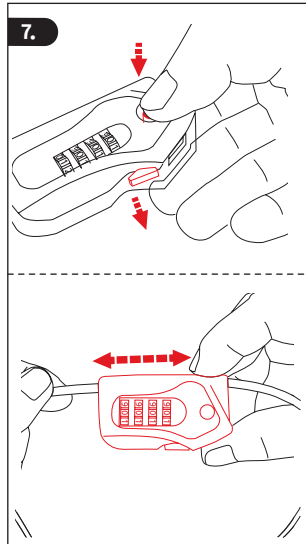
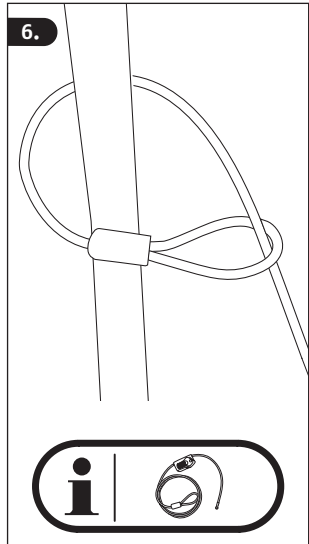
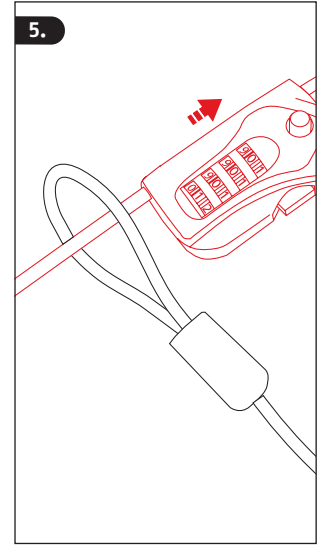
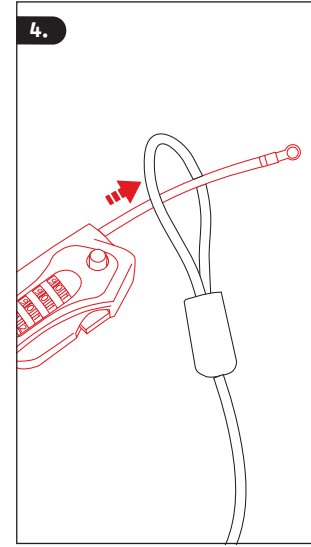
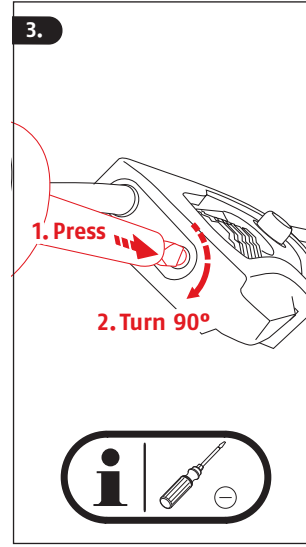
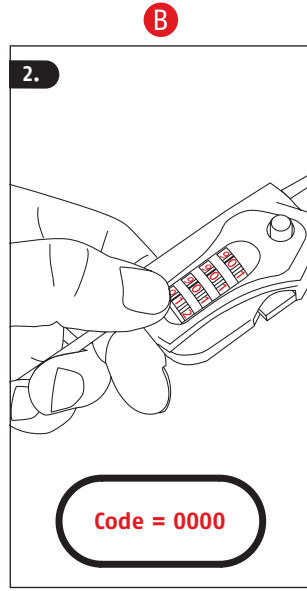
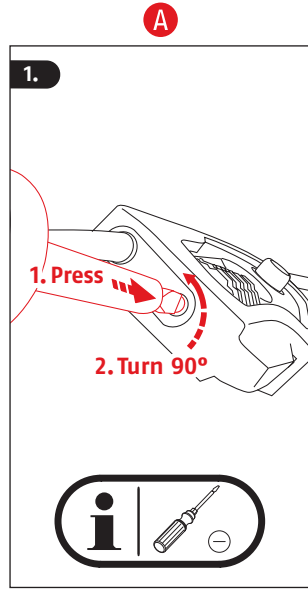
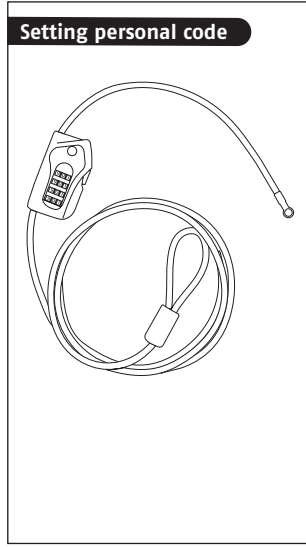


Combiloop



Setting the code combination

Factory setting is „0-0-0-0“.
Push the locking button.

- A** To set your own code, push the screw down and turn it 90° counter-clockwise with a screwdriver. The locking bolt must be closed.
- B** **Set new code; please note:** the digits need to be in line with the marks, then, the adjustment screw can be turned 90° clockwise, back into position.
- C** Please test it's functioning with the new code before use.
- D** Insert the eye until it engages
- E** Push the locking button, alter the combination. The lock is secure.
To open, set the personal code and then press the release button.

Note: Pictures can differ from actual product