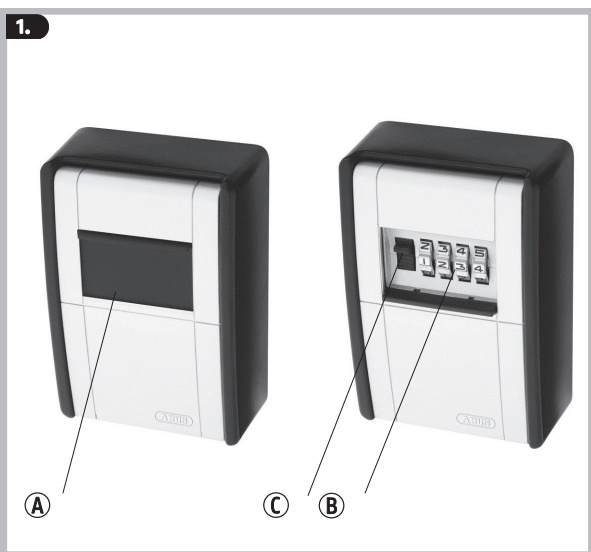


Installation and operation

Please read this guide carefully before installation and use. Keep these instructions for as long as you are using the item and provide all users with instruction on how to use it.



GB Open the key drawer

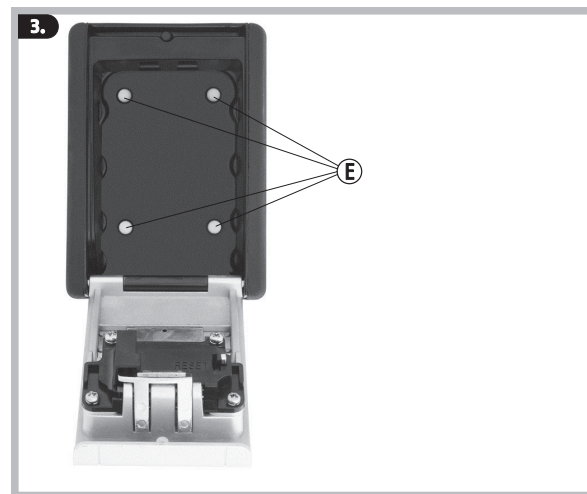
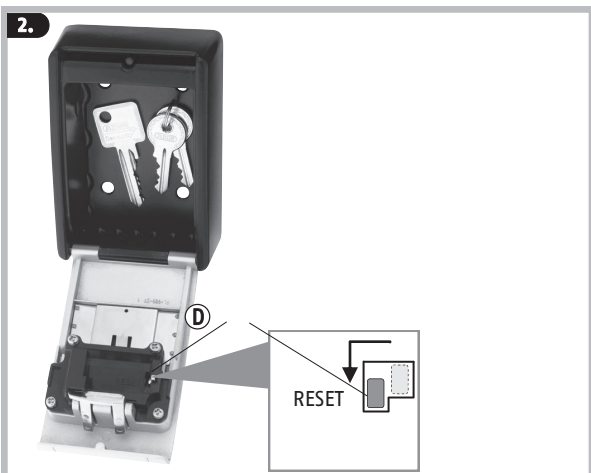
1. Push down the protective cover (A)
2. Set the code (B) (factory setting 0000)
3. Press the open button (C) and open the key drawer
4. Reclose the drawer
5. Rotate the four dials to scramble the code
6. Push up the protective cover (A)

GB Important!

- Please ensure that the numerical code is changed during initial commissioning!
- Please make sure to remember your personal code!
- If the code gets lost it is impossible to open the KeyGarage!

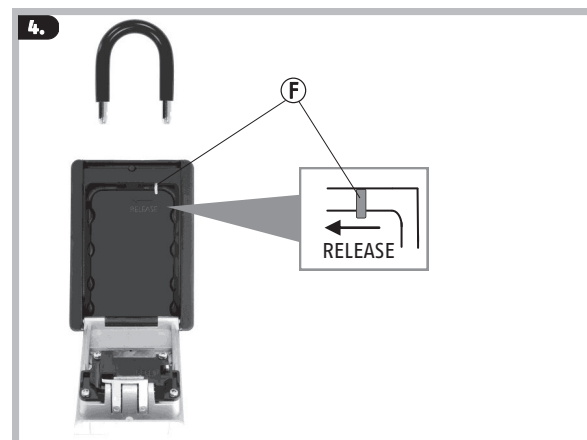
GB Set the number combination

1. Open the key drawer
2. Press the reset button (D) to the left and push it down
3. Set the desired code
4. Push the reset button back



Wall mounting Keygarage™ 787

1. Position the KeyGarage as desired
2. Accurately mark the drill holes (E)
3. Drill the holes and insert wall plugs
4. Screw KeyGarage to wall via wall plugs and reclose the key drawer



Mounting shackle Keygarage™ 797

1. Press the lever (F) to the left to open the shackle
2. Pull out the shackle to the top
3. Hang the shackle at the desired position and close again with the KeyGarage