

Padlock Diskus® 24IB



Technology

- Lock body, inner parts and shackle made solely from stainless steel for extreme resistance to corrosion
- Cylinder cover – maximum protection against dirt and water spray (60 mm and 70 mm only)
- Nickel-plated cylinder for enhanced weather protection
- Original Diskus® design: 360° protection
- Diskus® Deep-Welding Technology – the best in break-in protection
- Precision pin cylinder
- Key retaining: locking only with the key (key cannot be removed while the lock remains open)
- Made in Germany

Operation and use

- For the protection of larger assets and objects with a high risk of theft
- Ideal for severe weather conditions (e.g., in sea and port areas, for securing vehicles and boats in outdoor use)
- For securing trucks, doors, gates, barns, cellars, cupboards, etc.

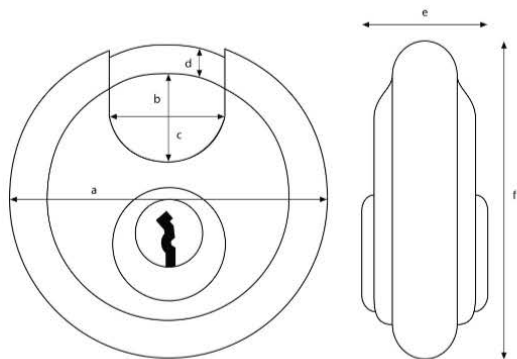
Tips

- Also ideal in combination with ABUS Diskus® Hasp 140, so the lock shackle cannot be attacked with tools

Variants

- Sizes: 50, 60, 70 mm

Original ABUS Diskus® - 100% stainless steel security



Art. no.: 05584

Level: 7

Article group: 01

Depth e: 27 mm

Height f: 60 mm

Horizontal clearance b: 16,5 mm

Key Blank: 2706

No. of keys supplied: 2 keys incl.

Packaging: single carton

Schließung: keyed different

Shackle diameter d: 8 mm

Vertical clearance c: 13 mm

Weight: 216 g

Width a: 60 mm

Accept no compromises, choose only quality motorcycle locks.